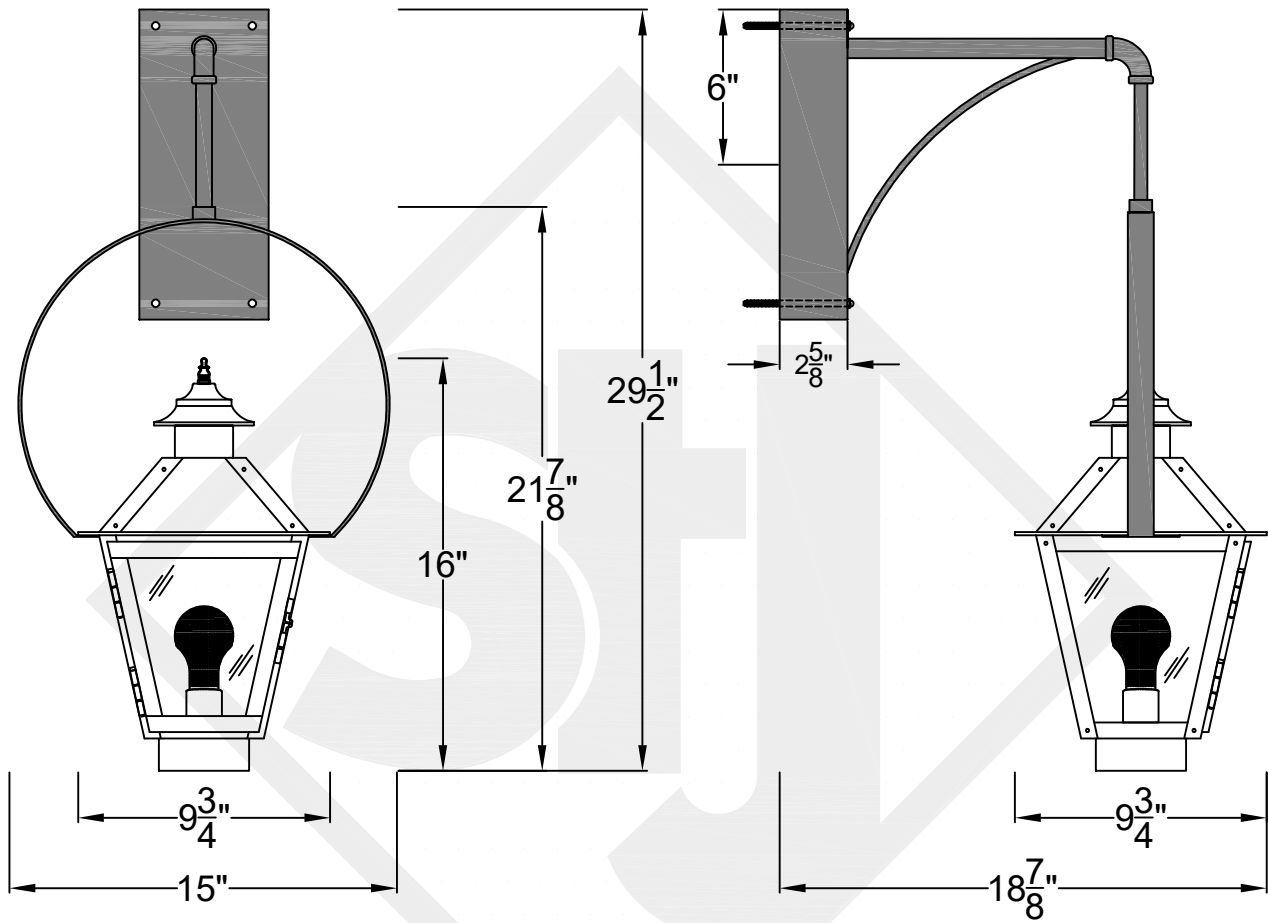


MAGNOLIA MINI WALL MOUNT HALF YOKE

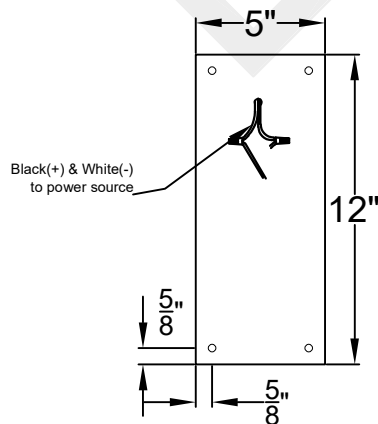
Available w/ Solid
or Glass Top

Shortest Height 25 ³/₄"



Front View

Side View



Backplate



St. James
LIGHTING

SCALE: N.T.S. DRAFT: T. Herring
FILE: MAGMINI APP'D: J. Ragan
JOB: X DATE: 3-6-2023

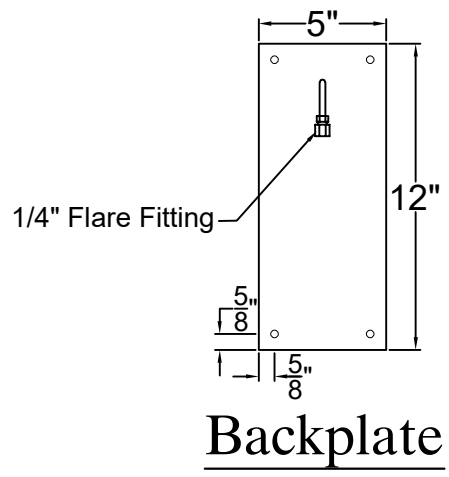
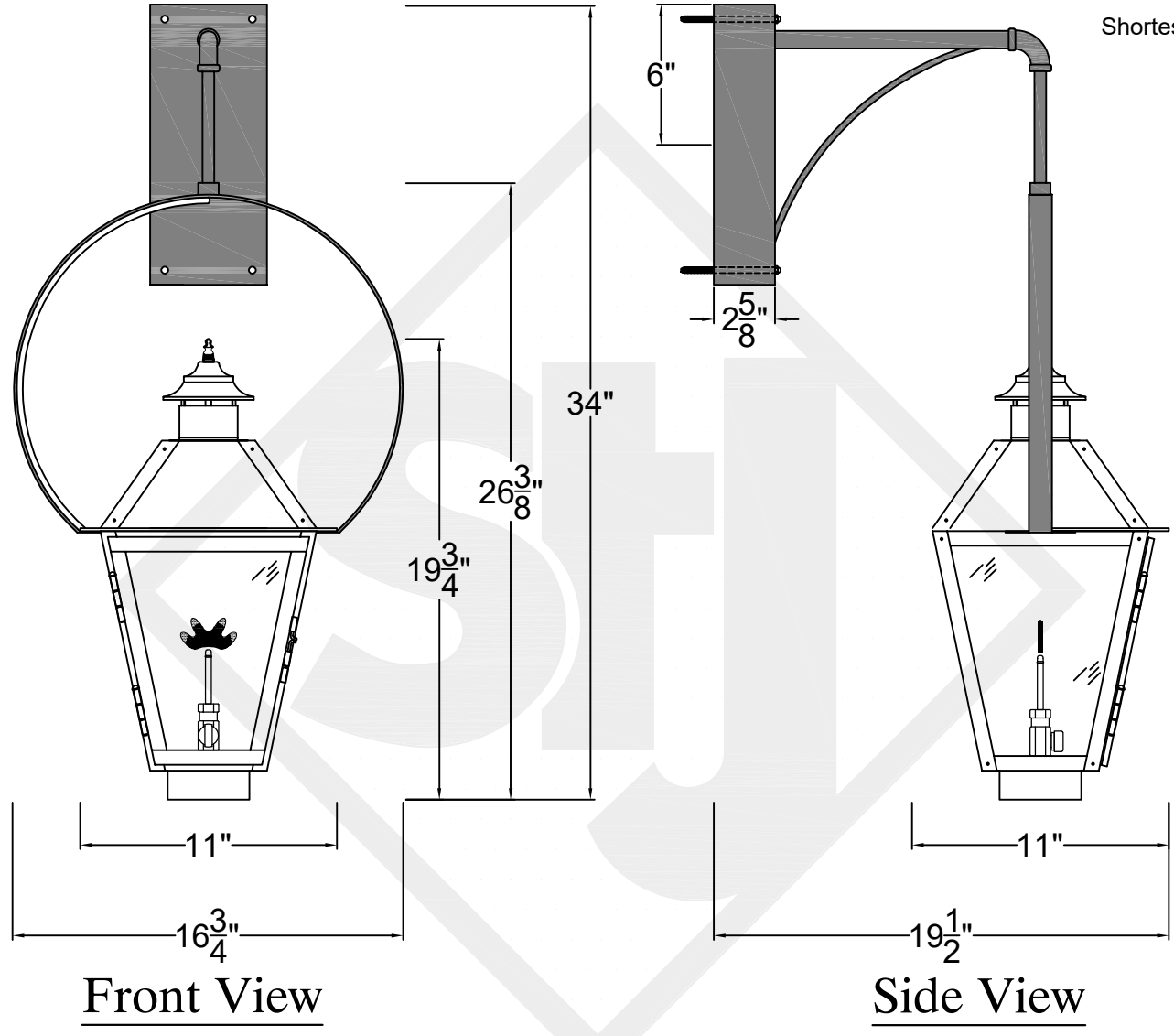
Lights are handcrafted.
Dimensions may vary by 1/4"


Mini not Available in Gas

UL Certified
Candelabra- Max 60 Watt Bulb
Edison- Max 660 Watt Bulb

MAGNOLIA SMALL WALL MOUNT HALF YOKE

Available w/ Solid
or Glass Top
Shortest Height 27½"



 St. James LIGHTING	
SCALE: N.T.S.	DRAFT: Y. McCullough
FILE: MAGS	APP'D: J. Ragan
JOB: X	DATE: 1/5/24

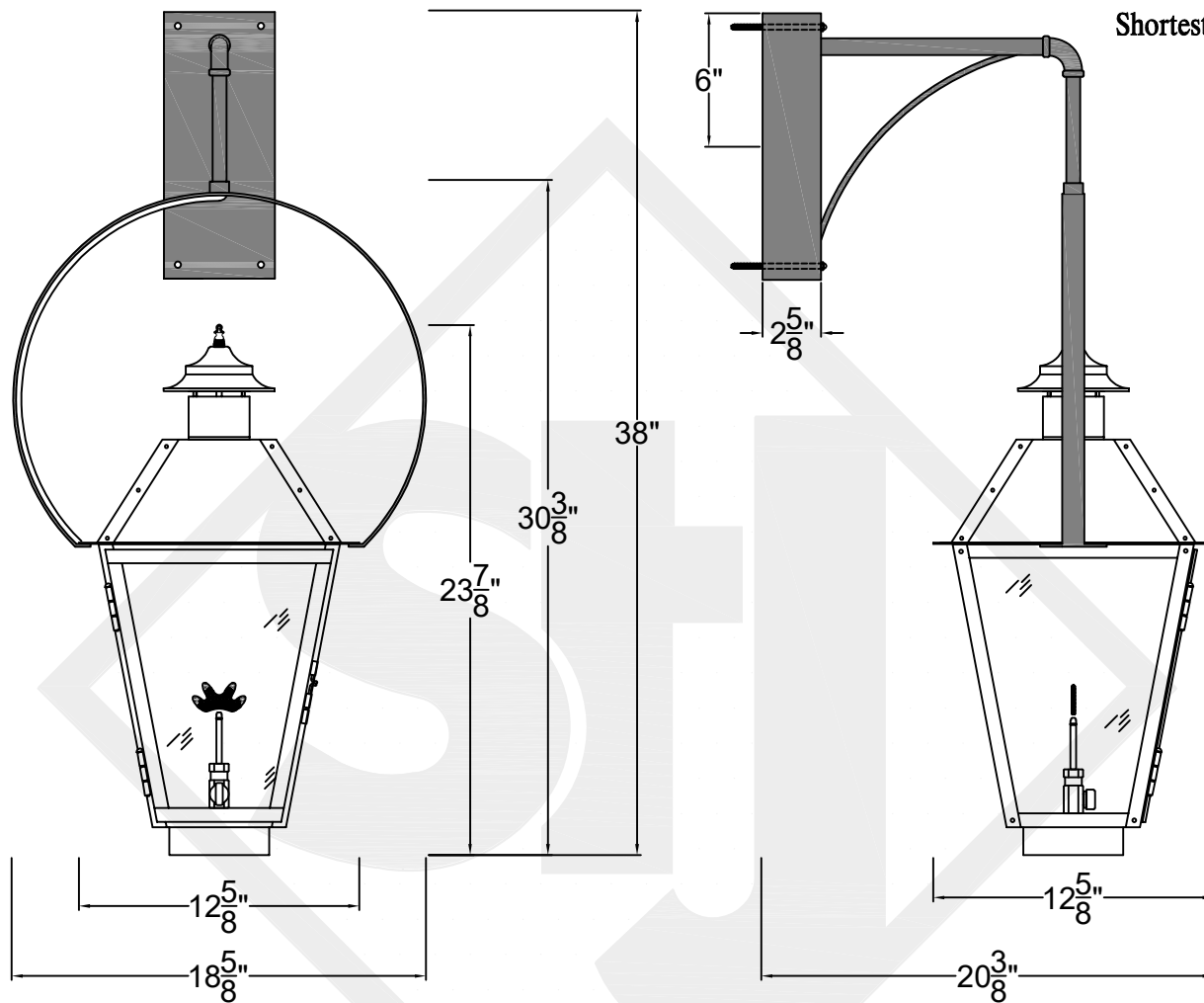
Lights are handcrafted.
Dimensions may vary by 1/4"

B.T.U. Rating
Natural Gas: 2730 B.T.U.
Propane: 2080 B.T.U.

MAGNOLIA MEDIUM WALL MOUNT HALF YOKE

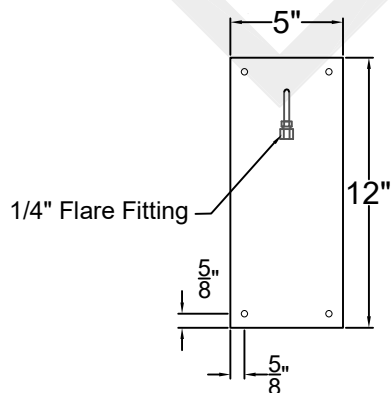
Available w/ Solid
or Glass Top

Shortest Height $34\frac{1}{4}"$



Front View

Side View



Backplate



St. James
LIGHTING

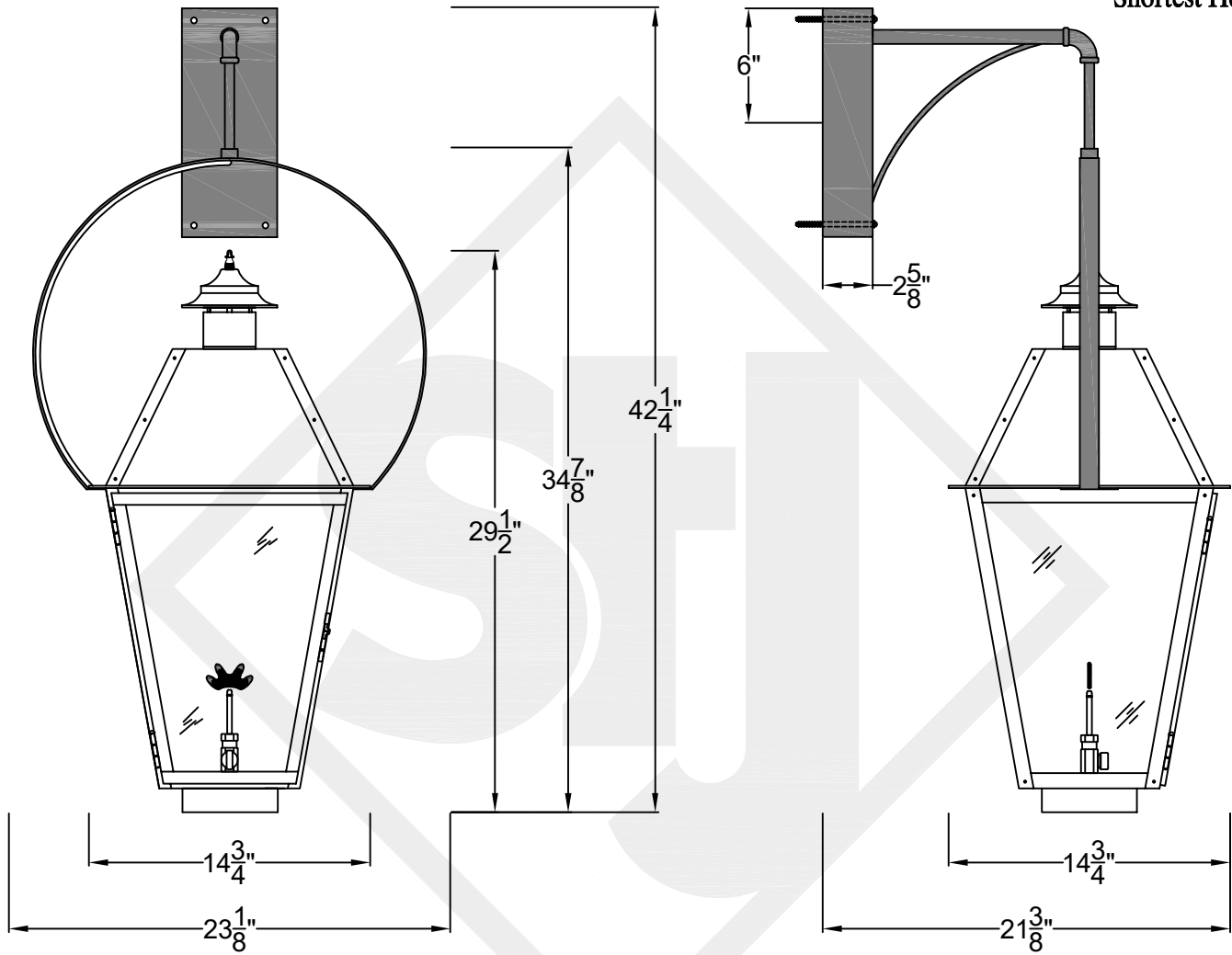
SCALE: N.T.S.	DRAFT: Y. McCullough
FILE: MAGM	APP'D: J. Ragan
JOB: X	DATE: 1/5/24

Lights are handcrafted.
Dimensions may vary by 1/4"

B.T.U. Rating
Natural Gas: 2730 B.T.U.
Propane: 2080 B.T.U.

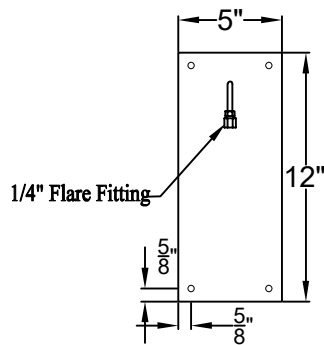
MAGNOLIA LARGE WALL MOUNT HALF YOKE

Available w/ Solid
or Glass Top
Shortest Height $38\frac{3}{4}$ "



Front View

Side View



Backplate



St. James
LIGHTING

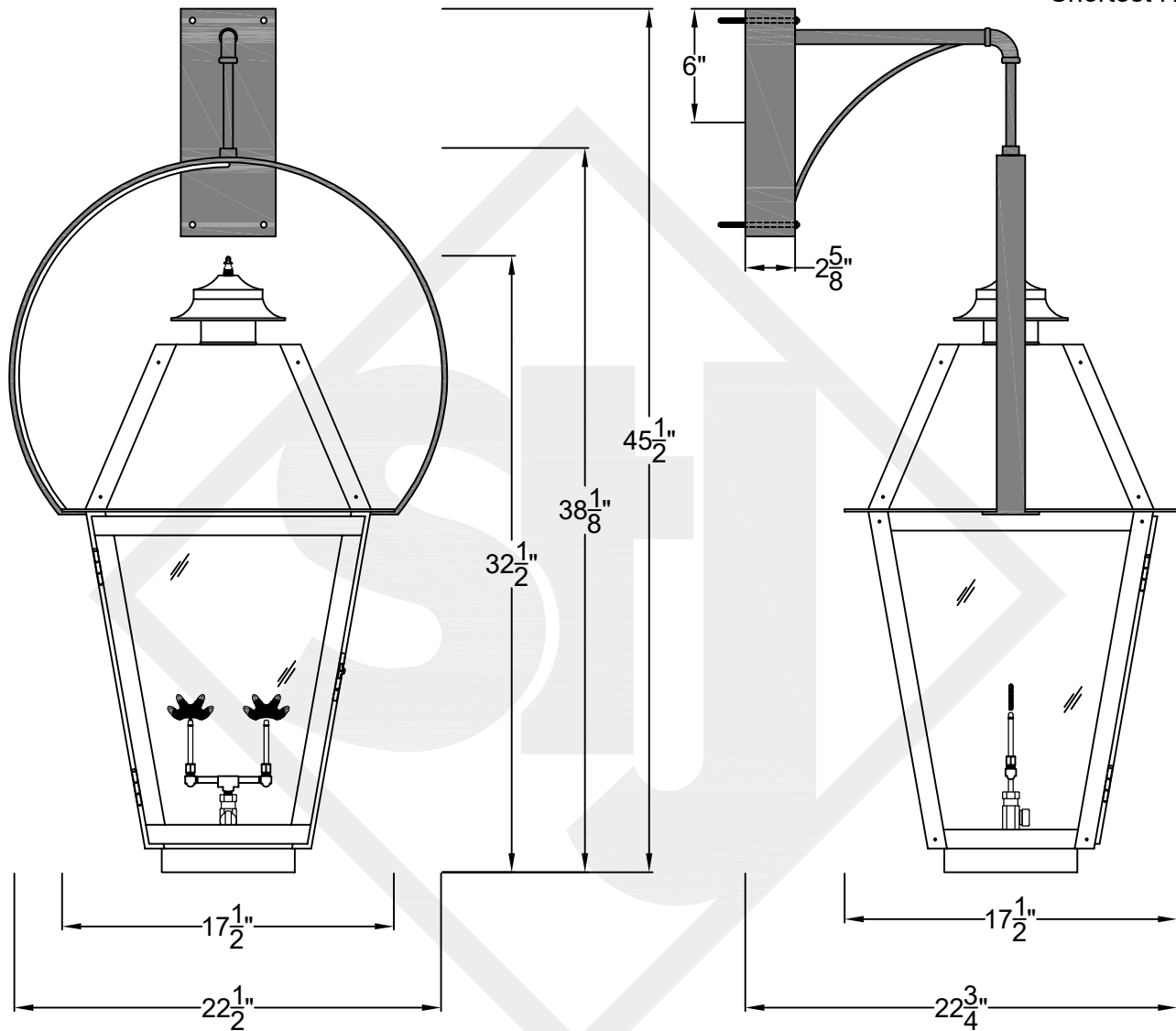
SCALE: N.T.S.	DRAFT: Y. McCullough
FILE: MAGL	APP'D: J. Ragan
JOB: X	DATE: 1/5/24

Lights are handcrafted.
Dimensions may vary by 1/4"

B.T.U. Rating
Natural Gas: 2730 B.T.U.
Propane: 2080 B.T.U.

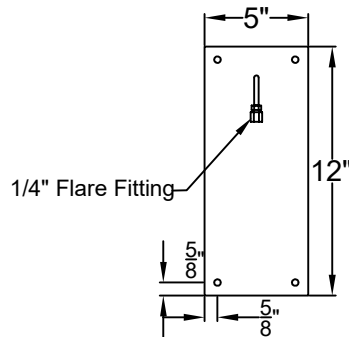
MAGNOLIA GRANDE WALL MOUNT HALF YOKE

Available w/ Solid
or Glass Top
Shortest Height 42"



Front View

Side View



Backplate



St. James
LIGHTING

SCALE: N.T.S.	DRAFT: T. Herring
FILE: MAGG	APP'D: J. Ragan
JOB: X	DATE: 8-18-2023

Lights are handcrafted.
Dimensions may vary by 1/4"

B.T.U. Rating
Natural Gas: 5460 B.T.U.
Propane: 4160 B.T.U.