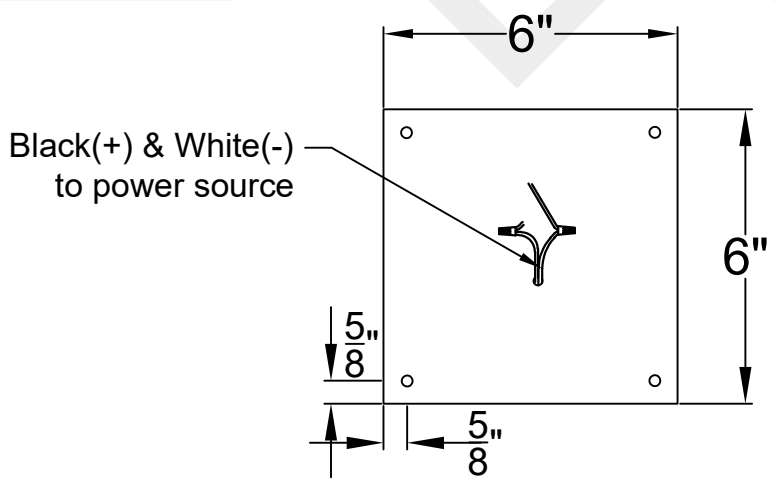
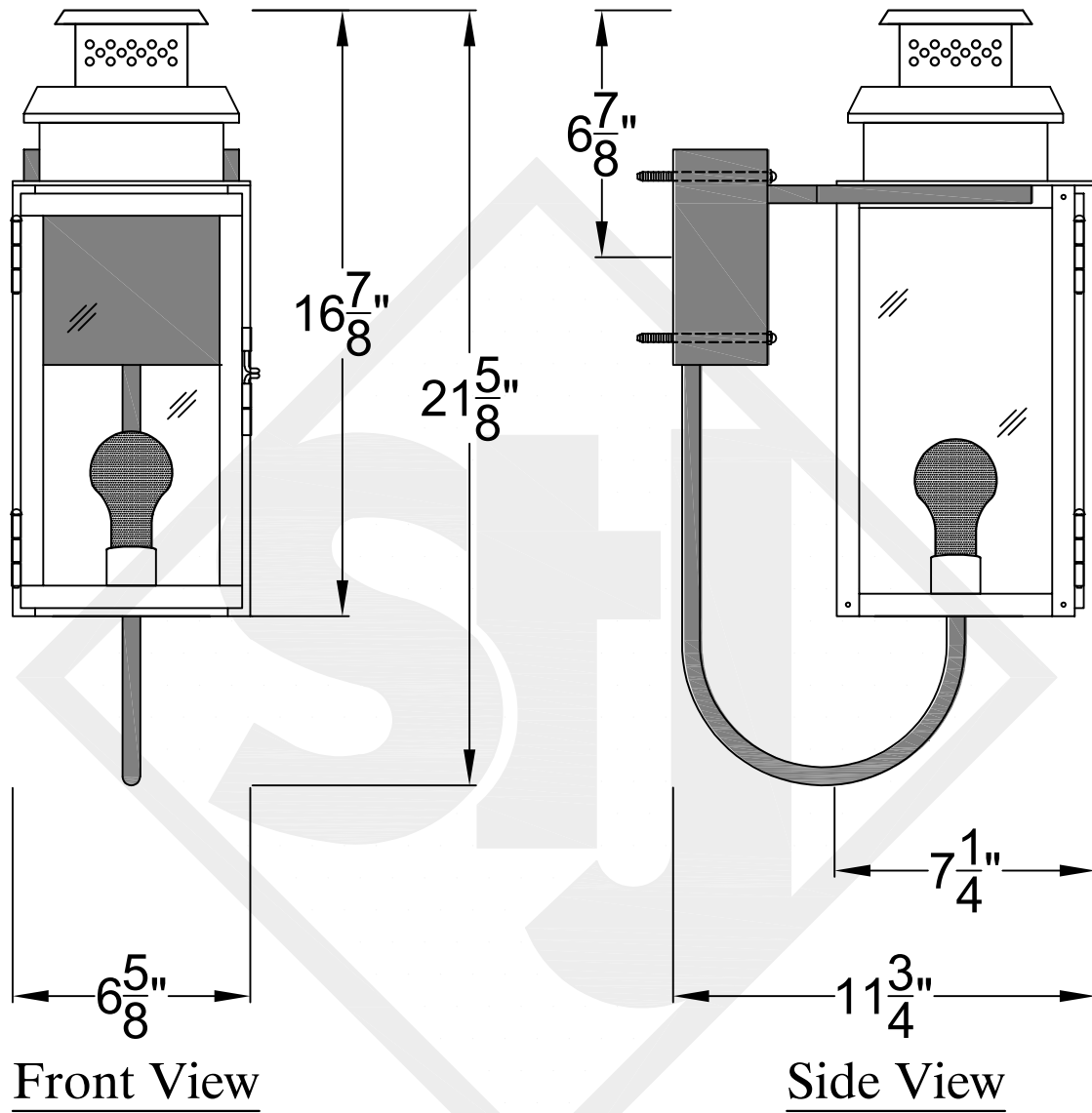



CHICAGO MINI STEEL WALL MOUNT



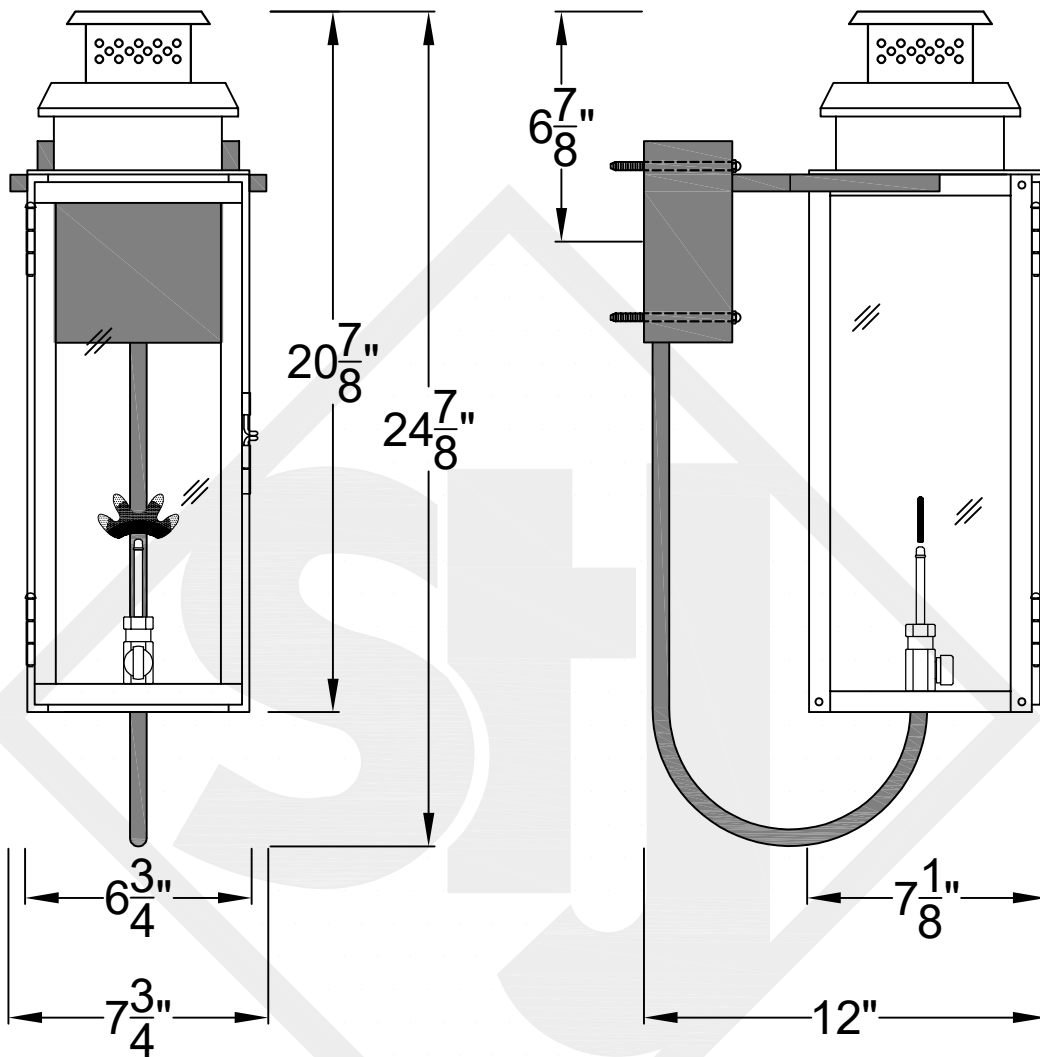
 St. James LIGHTING	
SCALE: N.T.S.	DRAFT: Y. McCullough
FILE: CHIMINI	APP'D: J. Ragan
JOB: X	DATE: 11/18/23

Lights are handcrafted.
Dimensions may vary by 1/4"

Mini not Available in Gas

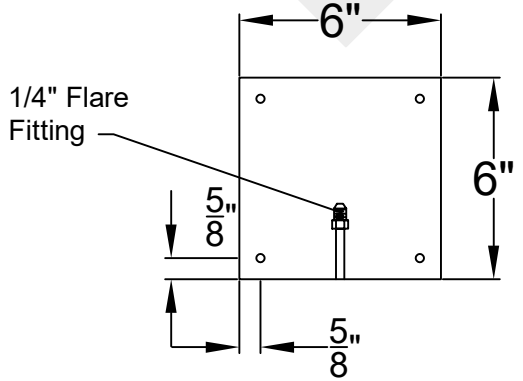
UL Certified
 Candelabra- Max 60 Watt Bulb
 Edison- Max 660 Watt Bulb

CHICAGO SMALL STEEL WALL MOUNT



Front View

Side View



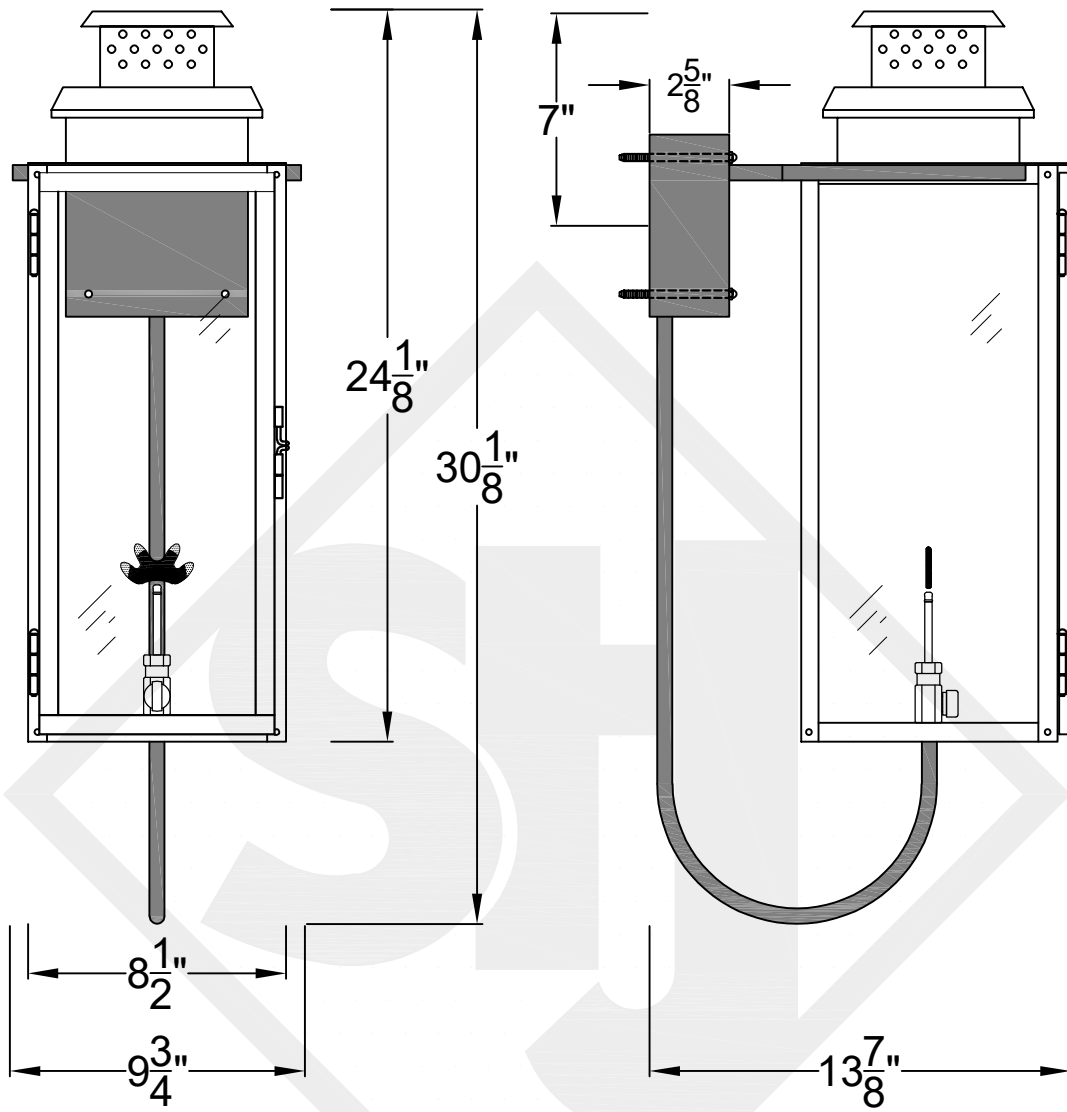
Backplate

	St. James LIGHTING	
	SCALE: N.T.S.	DRAFT: Y. McCullough
	FILE: CHIS	APP'D: J. Ragan
	JOB: X	DATE: 11/18/23

Lights are handcrafted.
Dimensions may vary by 1/4"

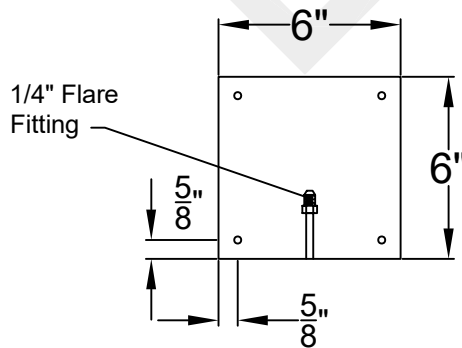
B.T.U. Rating
Natural Gas: 2730 B.T.U.
Propane: 2080 B.T.U.

CHICAGO MEDIUM STEEL WALL MOUNT



Front View

Side View



Backplate



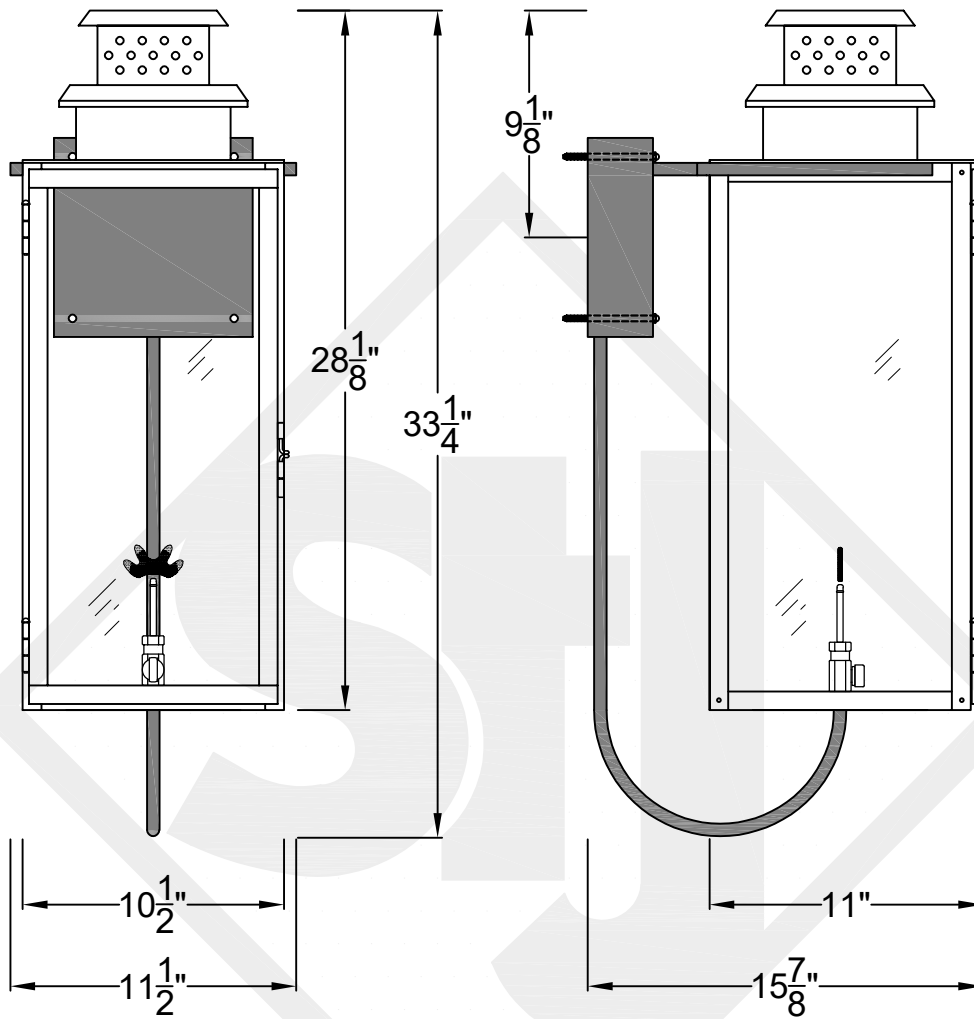
St. James
LIGHTING

SCALE: N.T.S.	DRAFT: Y. McCullough
FILE: CHIM	APP'D: J. Ragan
JOB: X	DATE: 11/18/23

Lights are handcrafted.
Dimensions may vary by 1/4"

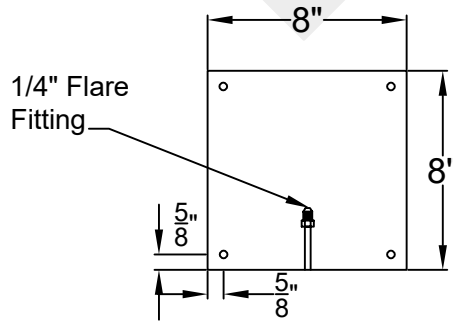
B.T.U. Rating
Natural Gas: 2730 B.T.U.
Propane: 2080 B.T.U.

CHICAGO LARGE STEEL WALL MOUNT



Front View

Side View



Backplate



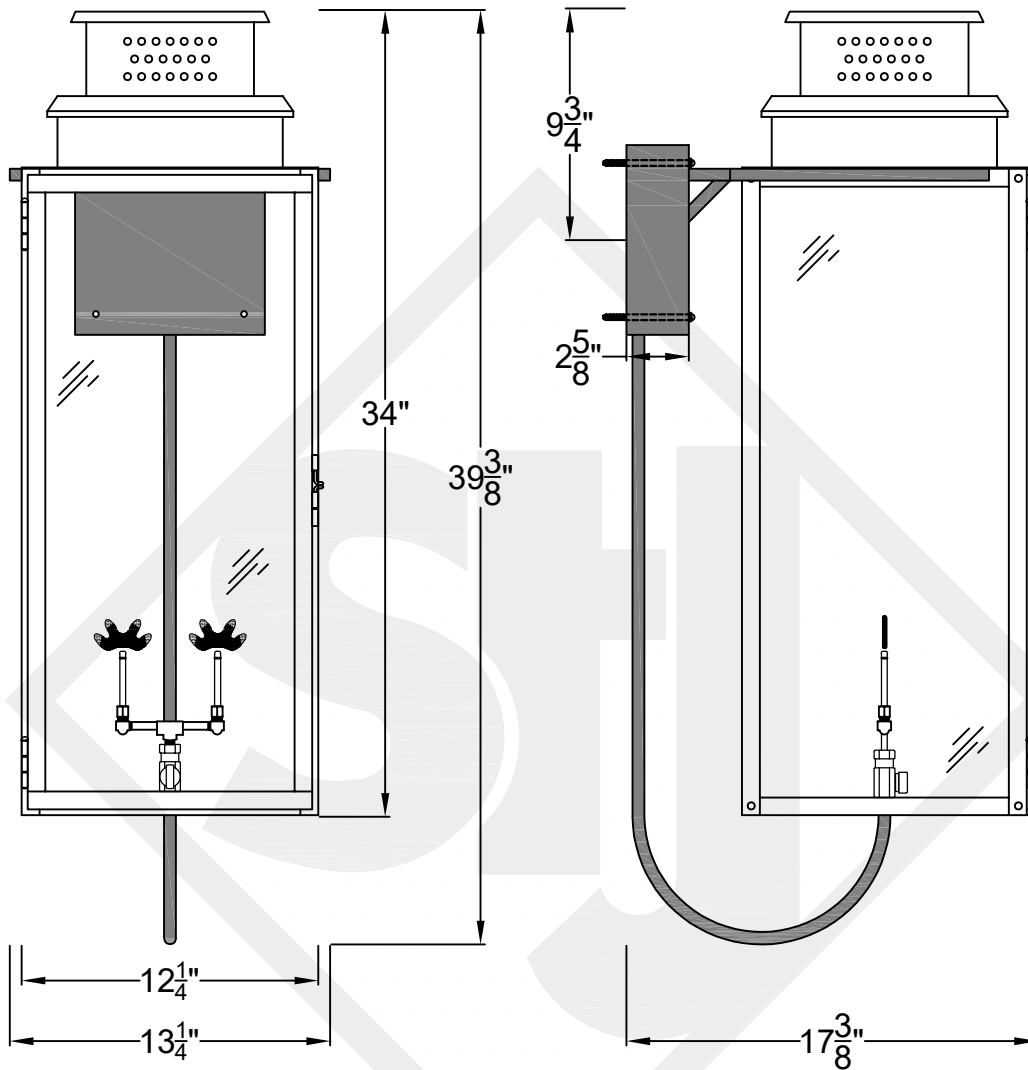
St. James
LIGHTING

SCALE: N.T.S.	DRAFT: Y. McCullough
FILE: CHIL	APP'D: J. Ragan
JOB: X	DATE: 11/18/23

Lights are handcrafted.
Dimensions may vary by 1/4"

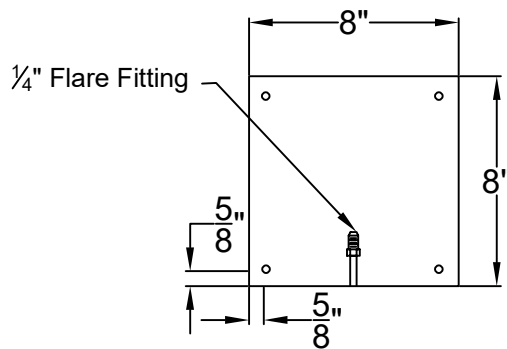
B.T.U. Rating
Natural Gas: 2730 B.T.U.
Propane: 2080 B.T.U.

CHICAGO GRANDE STEEL WALL MOUNT



Front View

Side View



Backplate



St. James
LIGHTING

SCALE: N.T.S.	DRAFT: Y. McCullough
FILE: CHIG	APP'D: J. Ragan
JOB: X	DATE: 11/18/23

Lights are handcrafted.
Dimensions may vary by 1/4"

B.T.U. Rating
Natural Gas: 5460 B.T.U.
Propane: 4160 B.T.U.