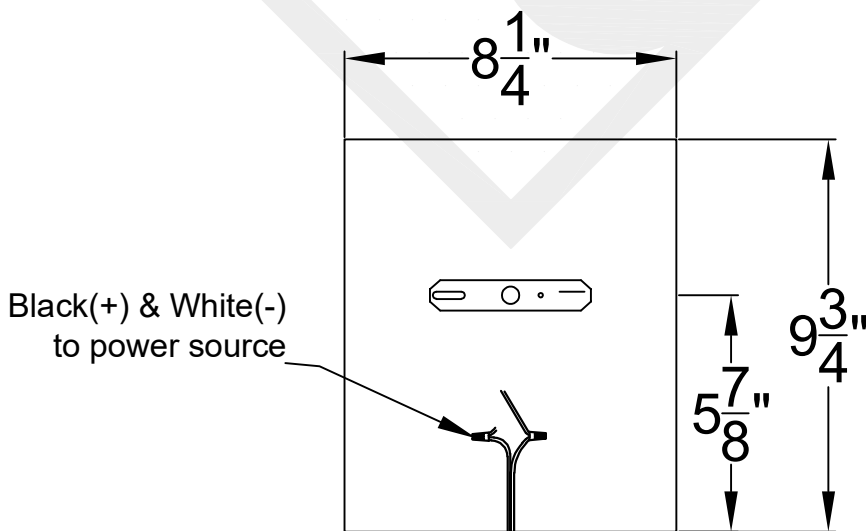
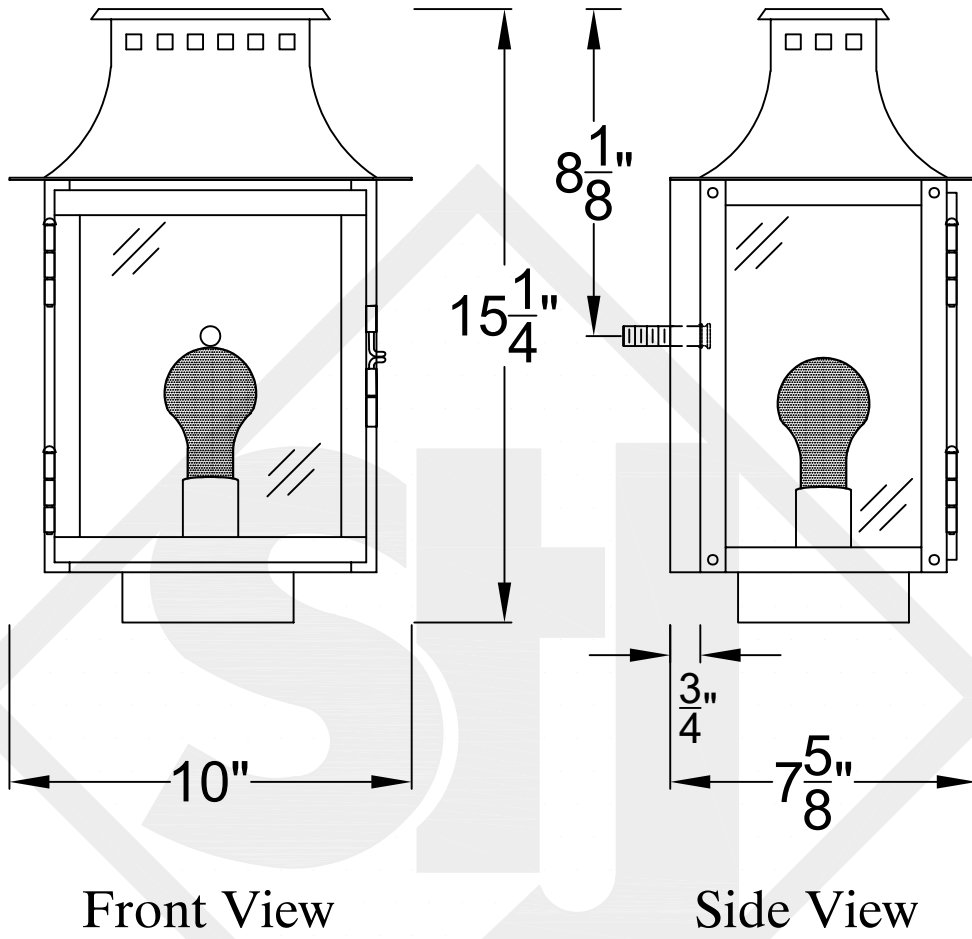


ASPEN MINI COPPER WALL BRACKET



Backplate

Mini not available in gas



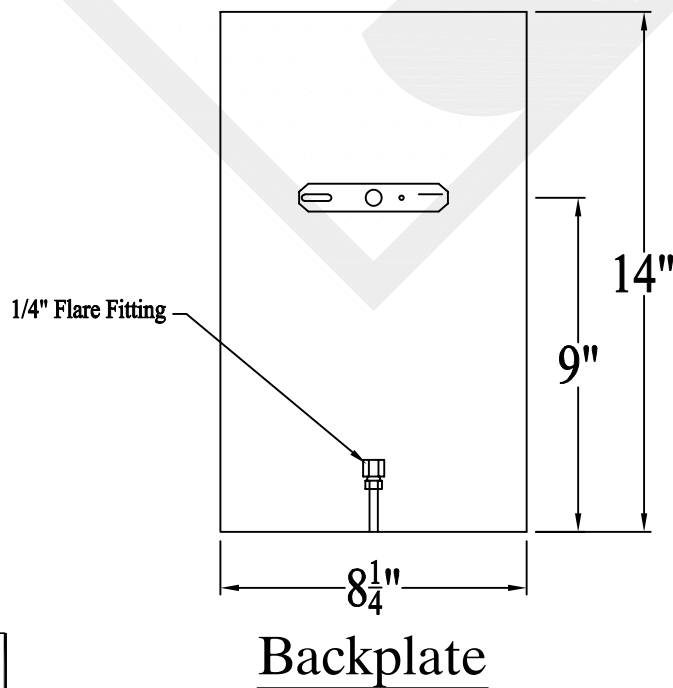
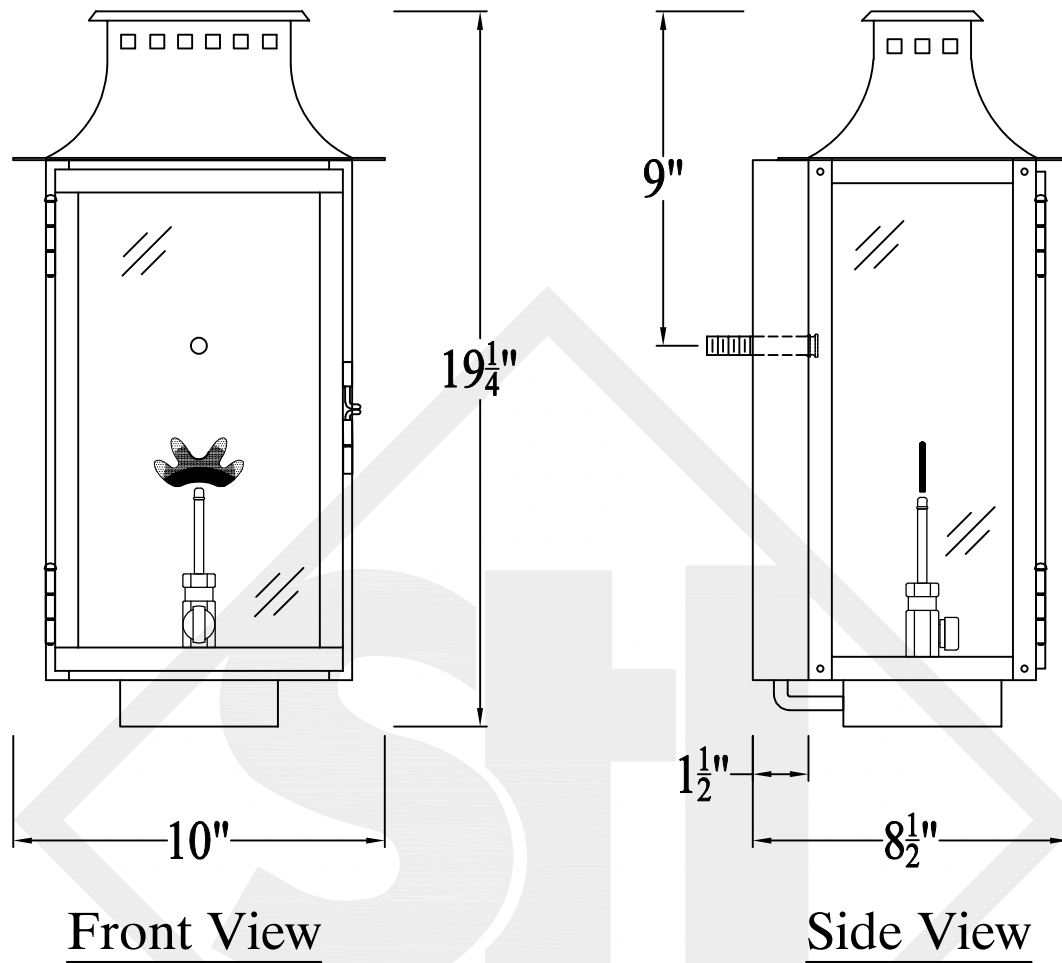
St. James
LIGHTING

SCALE: N.T.S.	DRAFT: J. Grippo
FILE: ASPMINI	APP'D: J. Ragan
JOB: X	DATE: 11-9-2023

Lights are handcrafted.
Dimensions may vary by 1/4"

UL Certified
Candelabra- Max 60 Watt Bulb
Edison- Max 660 Watt Bulb

ASPEN SMALL COPPER WALL MOUNT



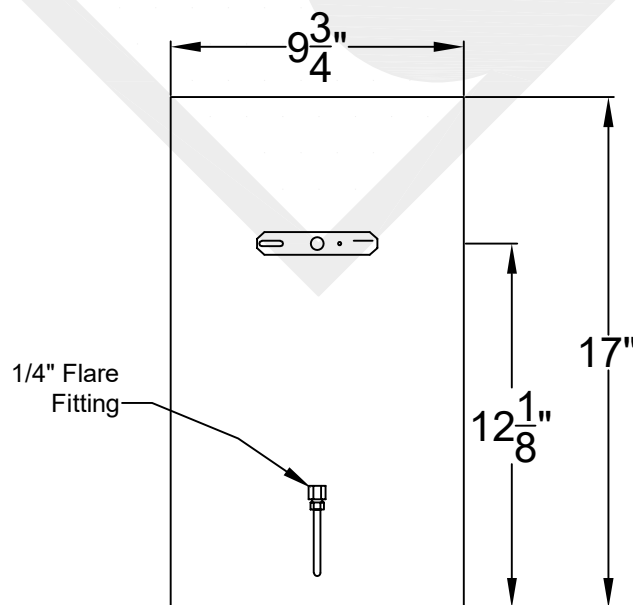
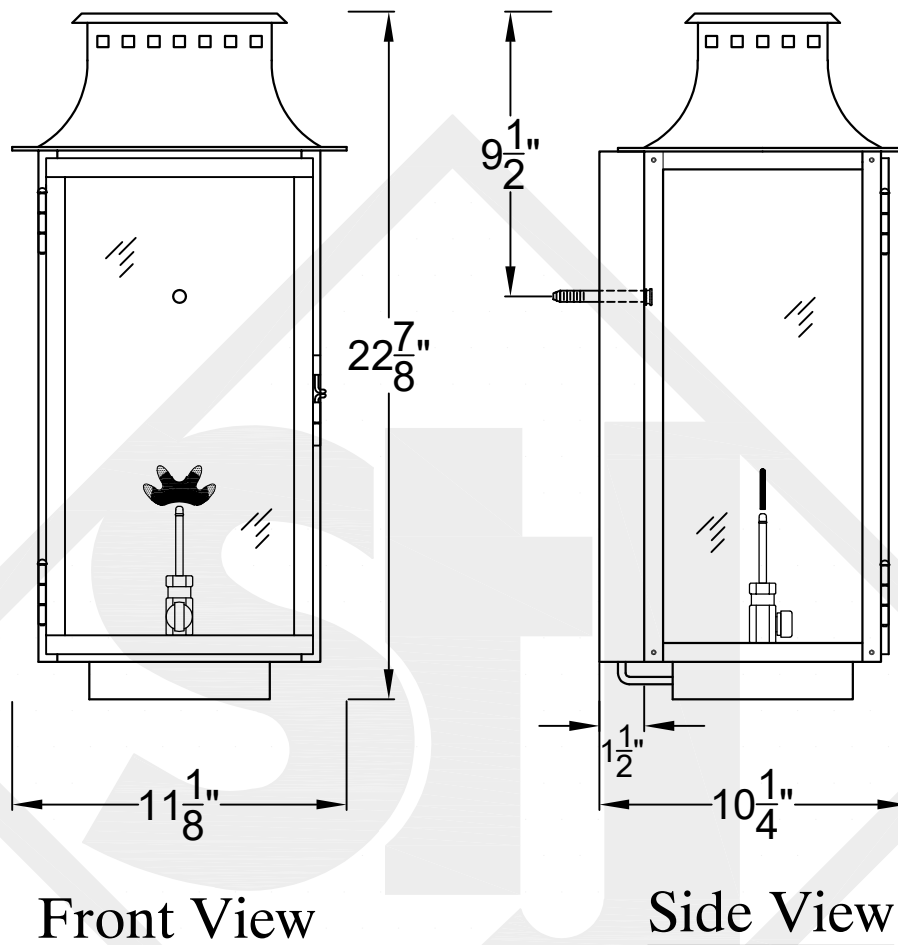
St. James
LIGHTING

SCALE: N.T.S.	DRAFT: J. Grippo
FILE: ASPS	APP'D: J. Ragan
JOB: X	DATE: 11/6/23

Lights are handcrafted.
Dimensions may vary by 1/4"

B.T.U. Rating
Natural Gas: 2730 B.T.U.
Propane: 2080 B.T.U.

ASPEN MEDIUM COPPER WALL MOUNT



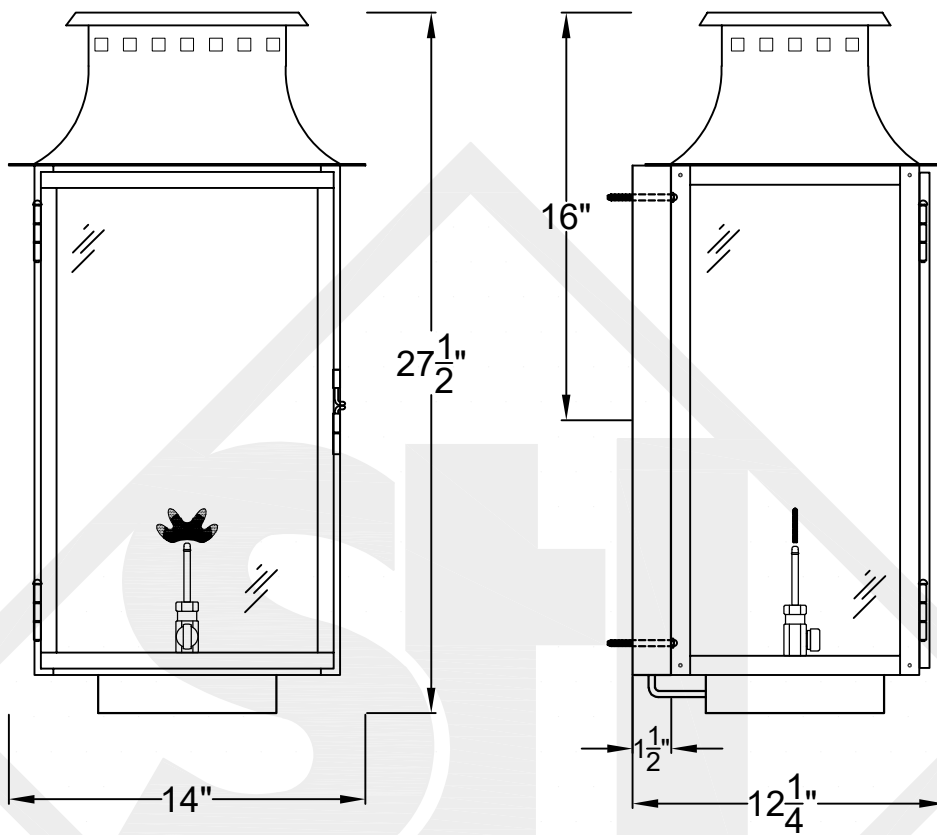
**St. James
LIGHTING**

SCALE: N.T.S.	DRAFT: T. Herring
FILE: ASPM	APP'D: J. Ragan
JOB: X	DATE: 4-10-2023

Lights are handcrafted.
Dimensions may vary by 1/4"

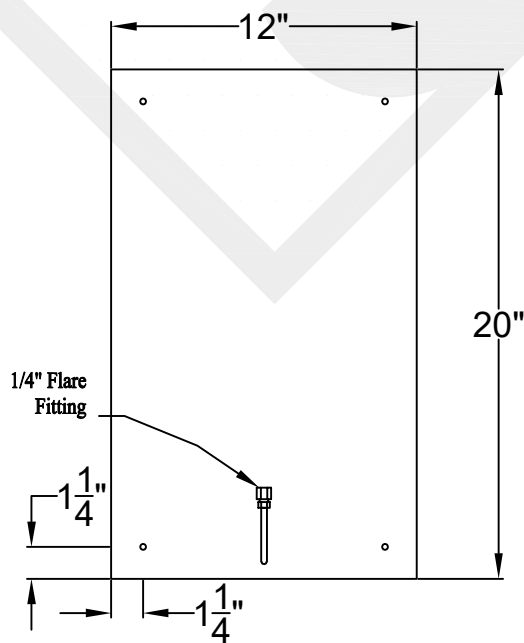
B.T.U. Rating
Natural Gas: 2730 B.T.U.
Propane: 2080 B.T.U.

ASPEN LARGE COPPER WALL MOUNT



Front View

Side View



Backplate



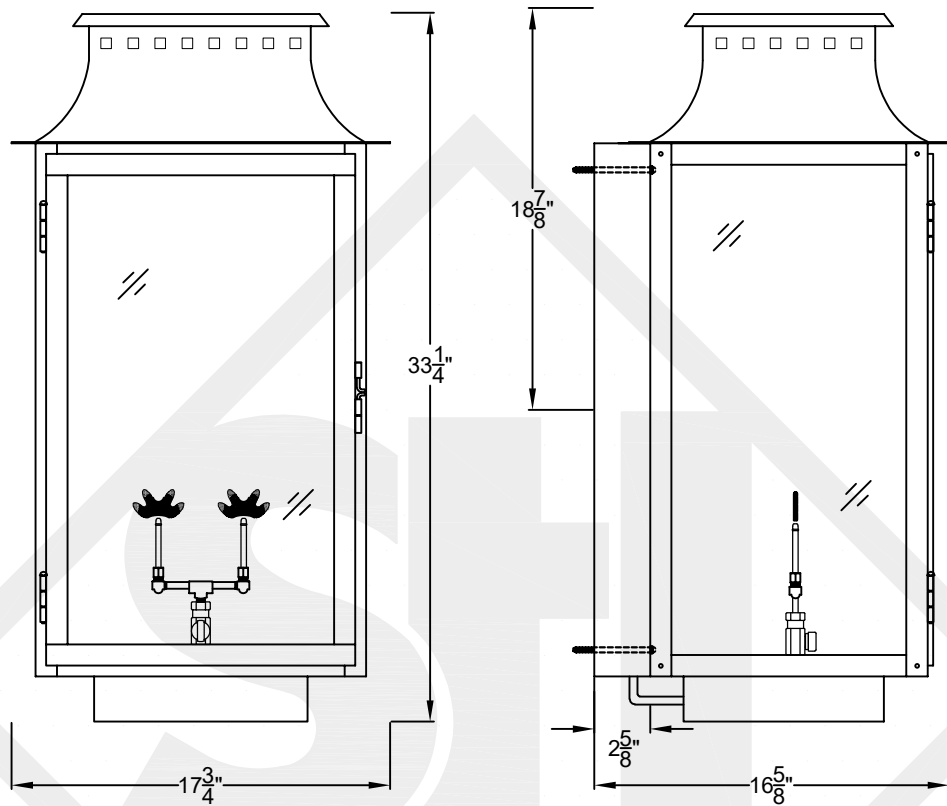
St. James
LIGHTING

SCALE: N.T.S.	DRAFT: Y. McCullough
FILE: ASPL	APP'D: J. Ragan
JOB: X	DATE: 11/11/23

Lights are handcrafted.
Dimensions may vary by 1/4"

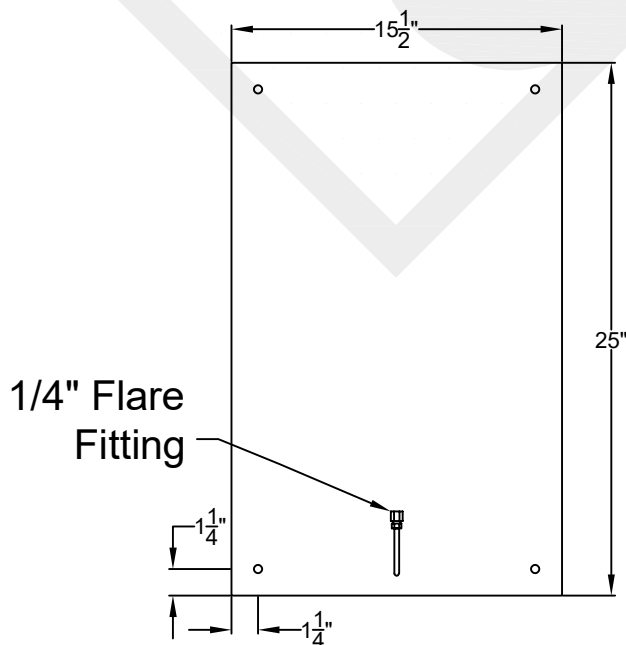
B.T.U. Rating
Natural Gas: 2730 B.T.U.
Propane: 2080 B.T.U.

ASPEN GRANDE COPPER WALL BRACKET



Front View

Side View



Backplate



St. James
LIGHTING

SCALE: N.T.S.	DRAFT: Y. McCullough
FILE: ASPG	APP'D: J. Ragan
JOB: X	DATE: 11/15/23

Lights are handcrafted.
Dimensions may vary by 1/4"

B.T.U. Rating
Natural Gas: 5460 B.T.U.
Propane: 4160 B.T.U.