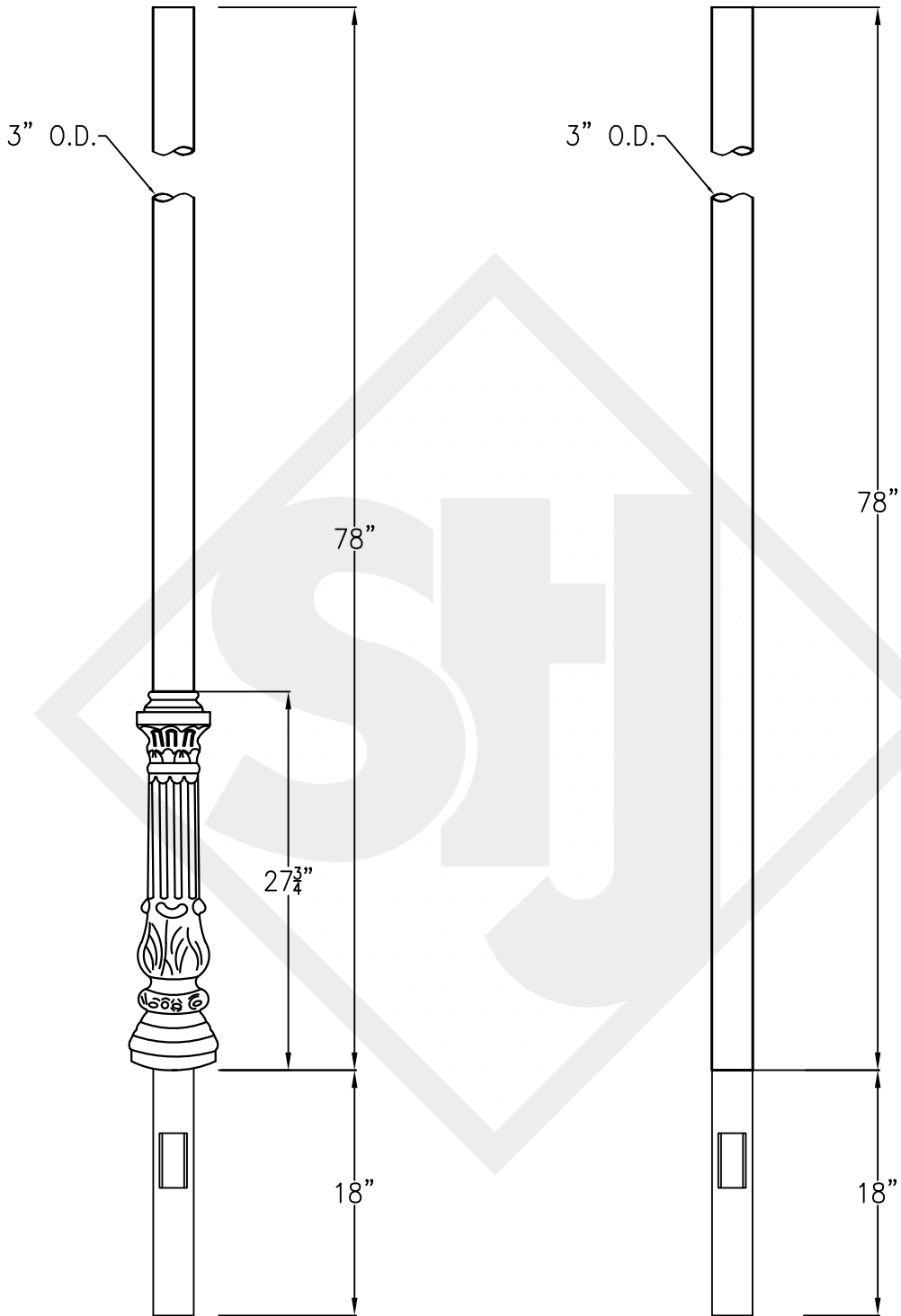



YARD LAMP POST OPTIONS



Ornate Post

Straight Post

Post Options	
 St. James LIGHTING	
SCALE: N.T.S.	DRAFT: B. Vial
FILE: CUS	APP'D: J. Ragan
JOB: 133	DATE: 11/17/17