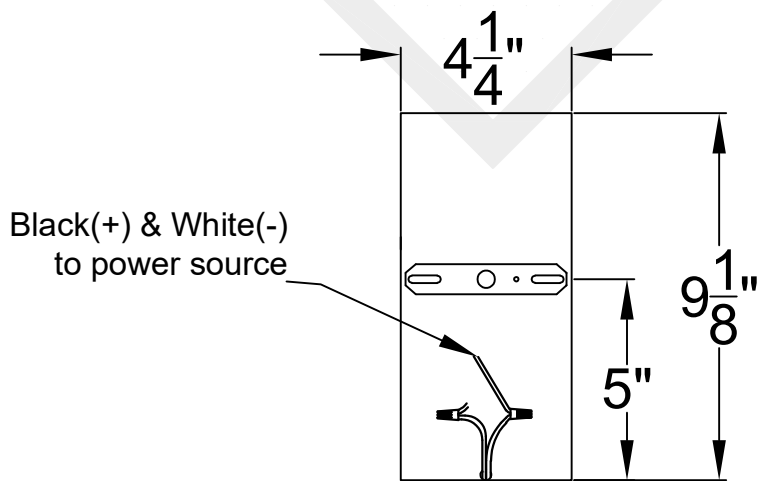
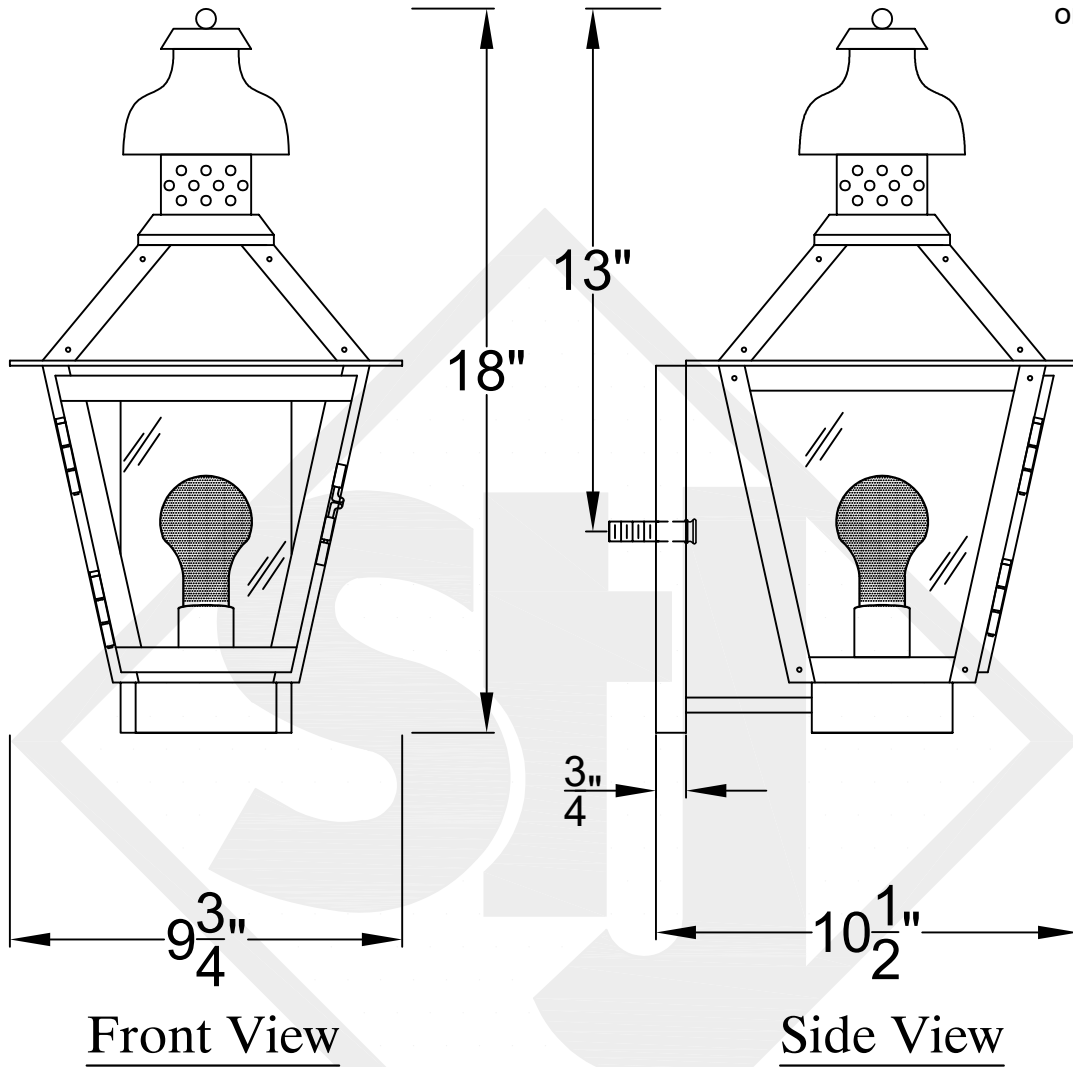


LOGAN MINI COPPER WALL BRACKET

Available w/ Solid
or Glass Top



Backplate



St. James
LIGHTING

SCALE: N.T.S. DRAFT: T. Herring
FILE: LOGMINI APP'D: J. Ragan
JOB: X DATE: 8-9-2023

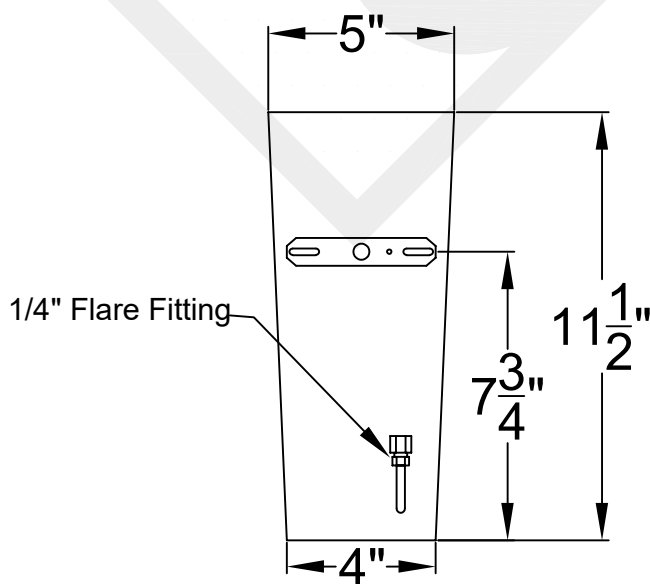
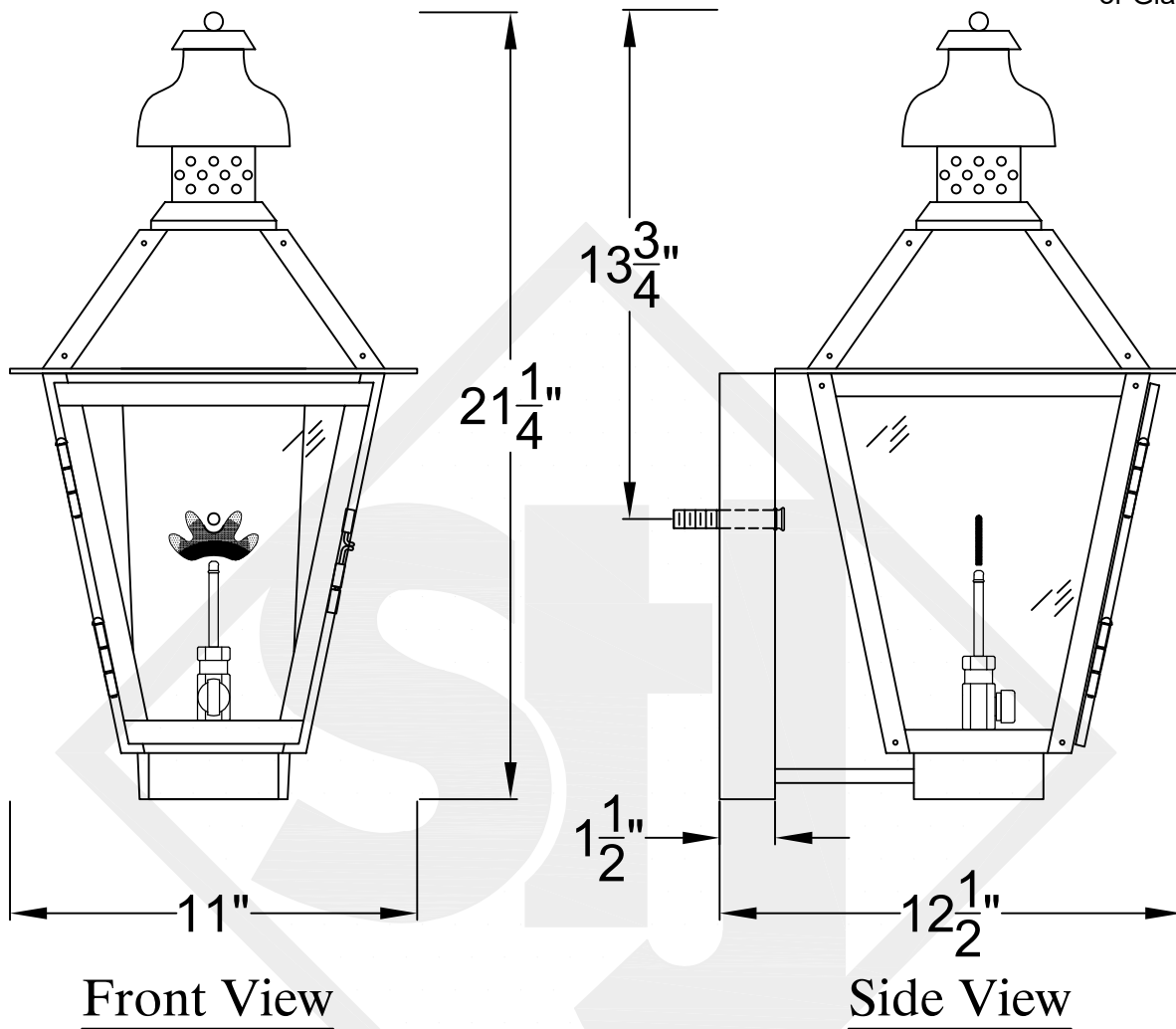
Lights are handcrafted.
Dimensions may vary by 1/4"

Mini not Available in Gas

UL Certified
Candelabra- Max 60 Watt Bulb
Edison- Max 660 Watt Bulb

LOGAN SMALL COPPER WALL BRACKET

Available w/ Solid
or Glass Top



Backplate



St. James
LIGHTING

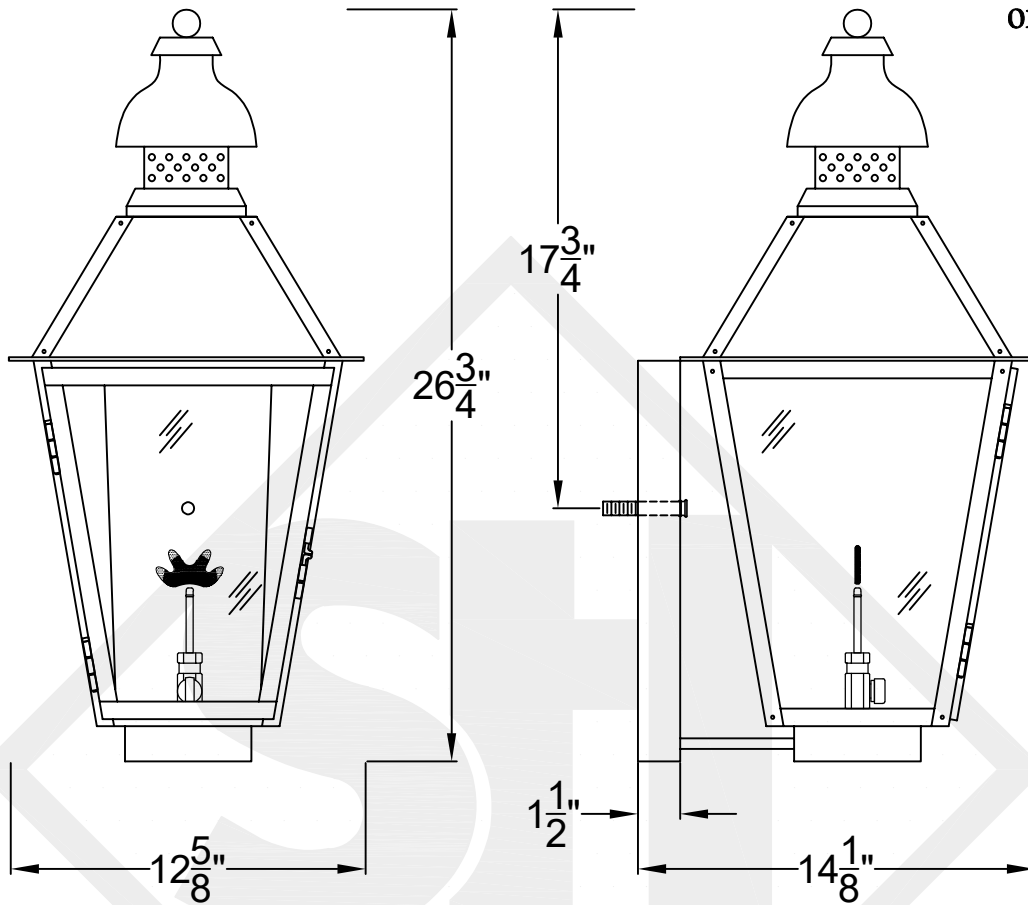
SCALE: N.T.S.	DRAFT: T. Herring
FILE: LOGS	APP'D: J. Ragan
JOB: X	DATE: 8-3-2023

Lights are handcrafted.
Dimensions may vary by 1/4"

B.T.U. Rating
Natural Gas: 2730 B.T.U.
Propane: 2080 B.T.U.

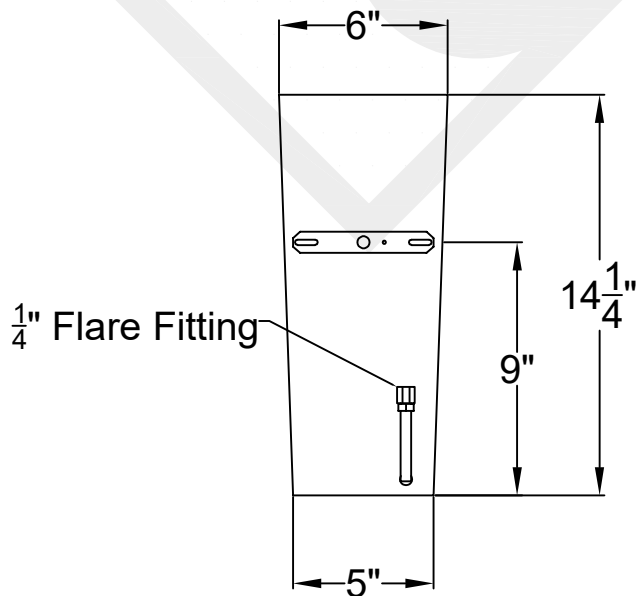
LOGAN MEDIUM COPPER WALL BRACKET

Available w/ Solid
or Glass Top



Front View

Side View



Backplate



St. James
LIGHTING

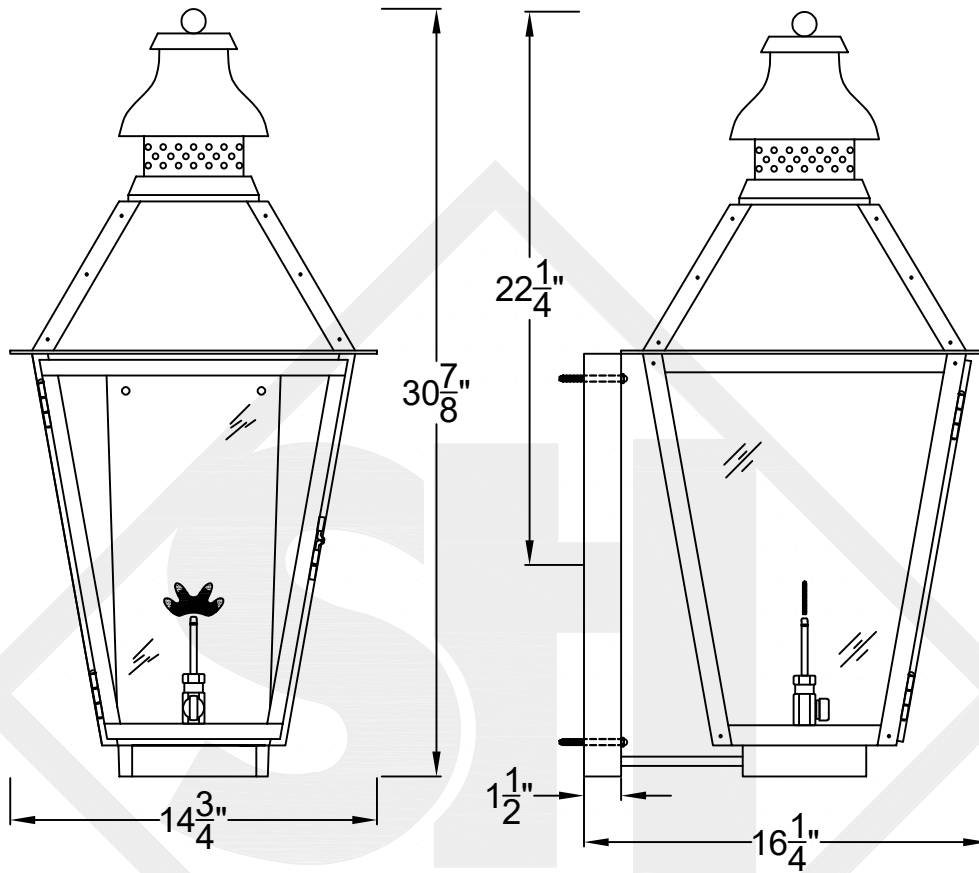
SCALE: N.T.S.	DRAFT: T. Herring
FILE: LOGM	APP'D: J. Ragan
JOB: X	DATE: 4-7-2023

Lights are handcrafted.
Dimensions may vary by 1/4"

B.T.U. Rating
Natural Gas: 2730 B.T.U.
Propane: 2080 B.T.U.

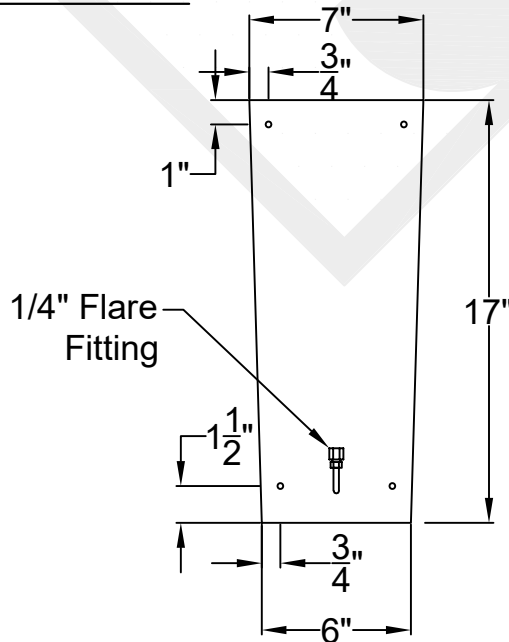
LOGAN LARGE COPPER WALL BRACKET

Available w/ Solid
or Glass Top



Front View

Side View



Backplate



St. James
LIGHTING

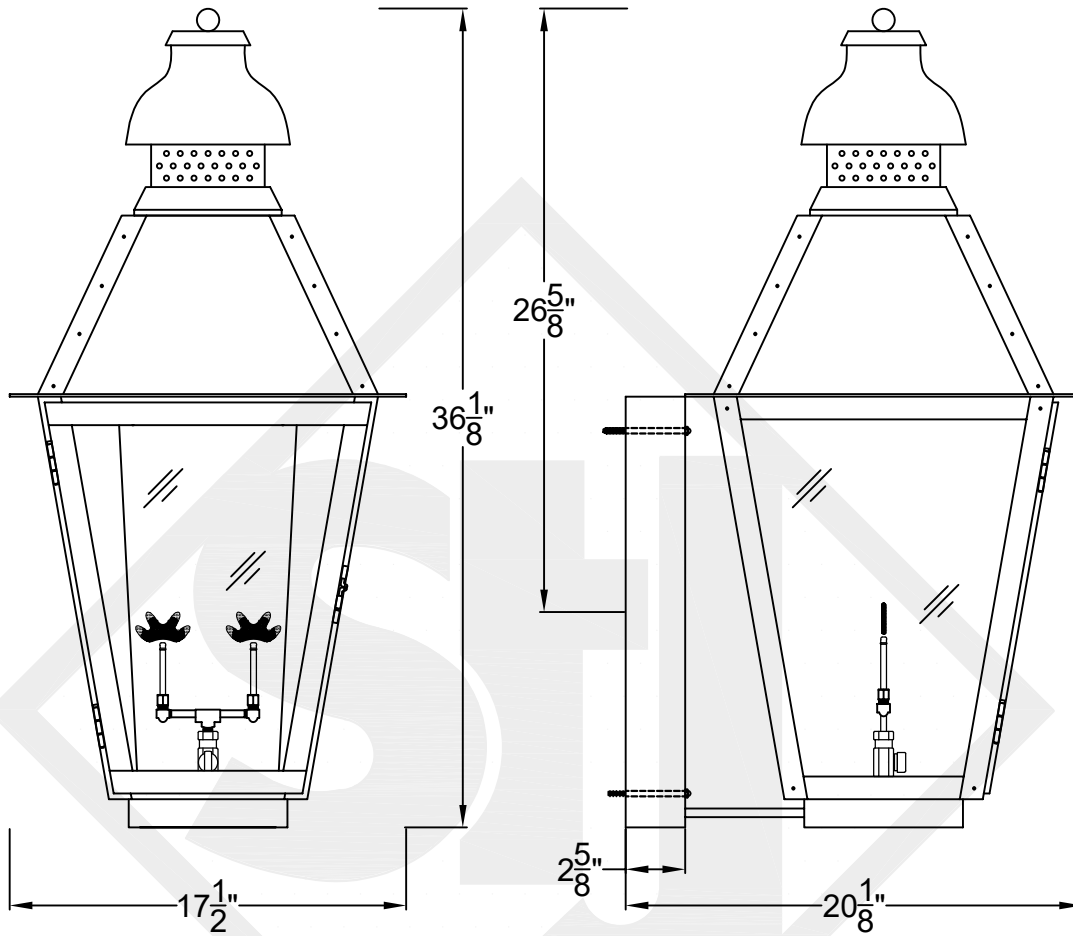
SCALE: N.T.S.	DRAFT: Y. McCullough
FILE: LOGL	APP'D: J. Ragan
JOB: X	DATE: 11/24/23

Lights are handcrafted.
Dimensions may vary by 1/4"

B.T.U. Rating
Natural Gas: 2730 B.T.U.
Propane: 2080 B.T.U.

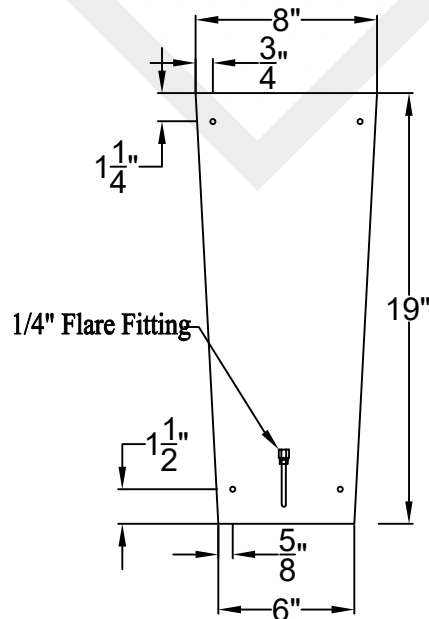
LOGAN GRANDE COPPER WALL BRACKET

Available w/ Solid
or Glass Top



Front View

Side View



Backplate



St. James
LIGHTING

SCALE: N.T.S.	DRAFT: Y. McCullough
FILE: LOGG	APP'D: J. Ragan
JOB: X	DATE: 12/6/23

Lights are handcrafted.
Dimensions may vary by 1/4"

B.T.U. Rating
Natural Gas: 5460 B.T.U.
Propane: 4160 B.T.U.