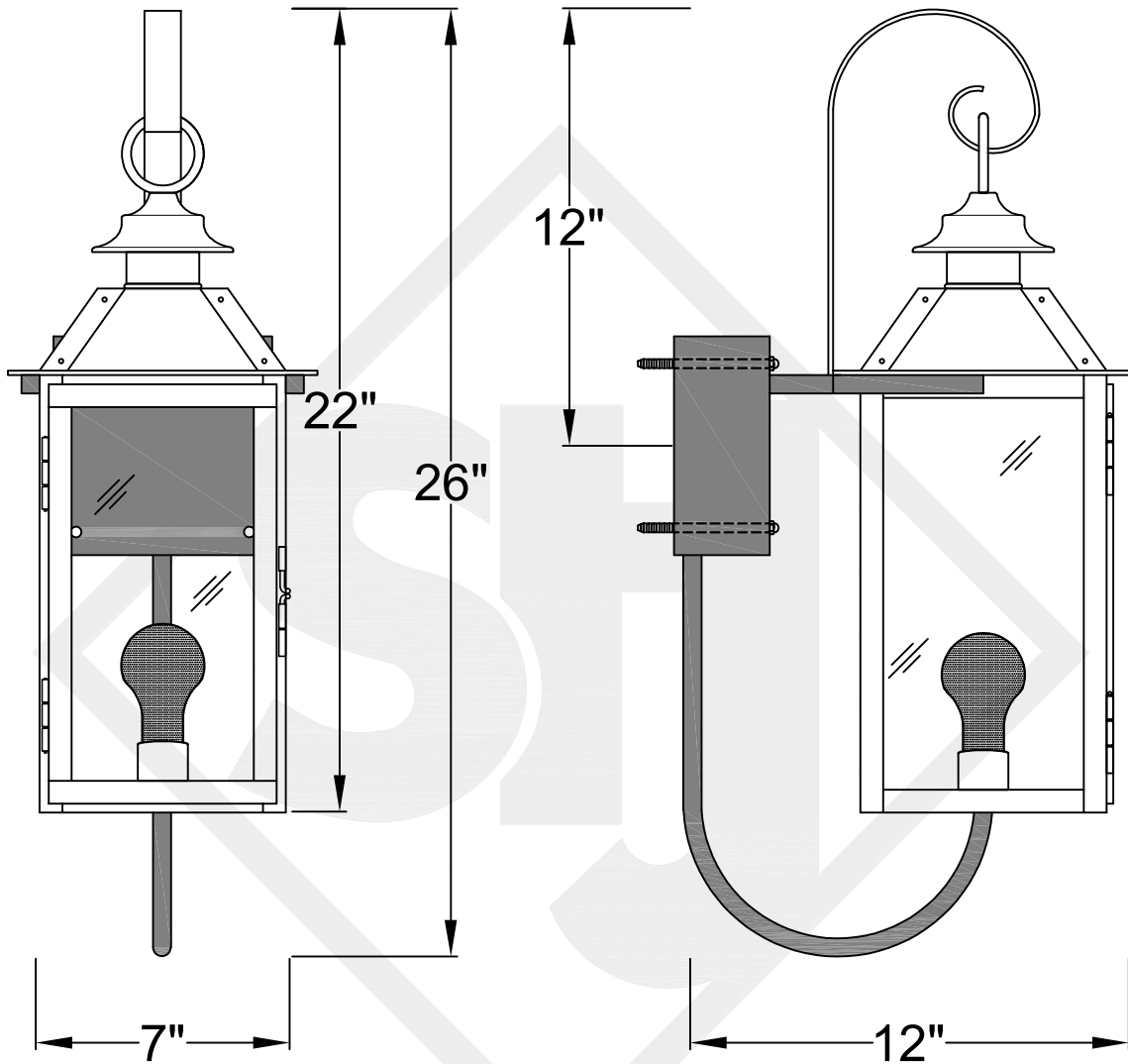


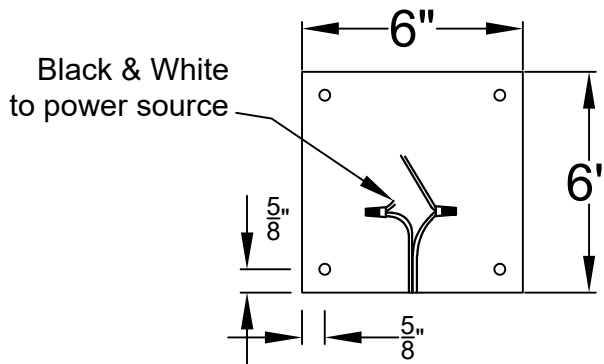
# SWEET WATER MINI STEEL WALL MOUNT

Available w/ Solid or  
Glass Top



Front View

Side View



Backplate



St. James  
LIGHTING

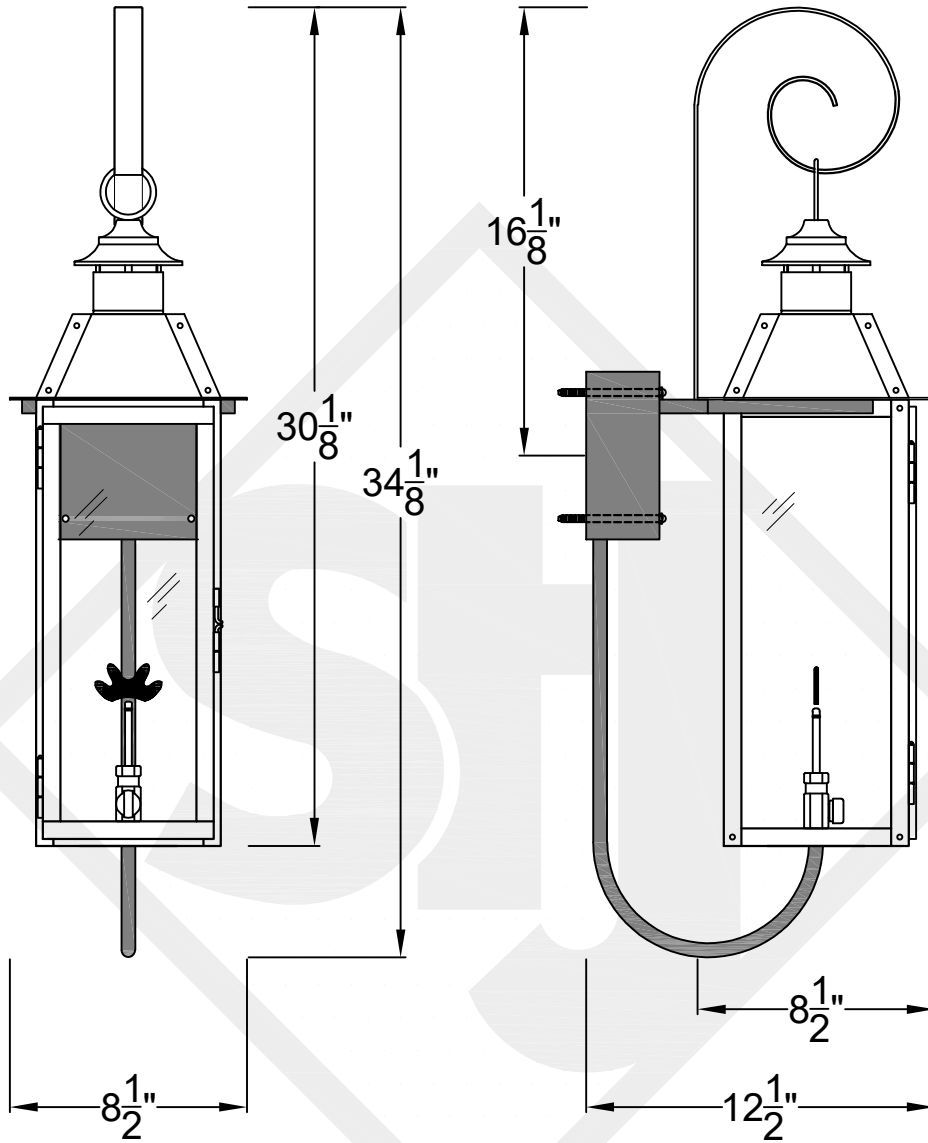
SCALE: N.T.S.	DRAFT: Y. McCullough
FILE: SWEMINI	APP'D: J. Ragan
JOB: X	DATE: 12/5/23

Lights are handcrafted.  
Dimensions may vary by 1/4"

**Mini not Available in Gas**  
UL Certified  
Candelabra- Max 60 Watt Bulb  
Edison- Max 660 Watt Bulb

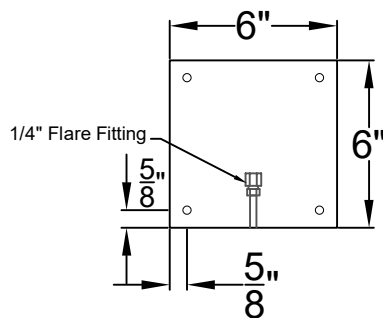
# SWEET WATER SMALL STEEL WALL BRACKET

Available w/ Solid  
or Glass Top



Front View

Side View



Backplate



St. James  
LIGHTING

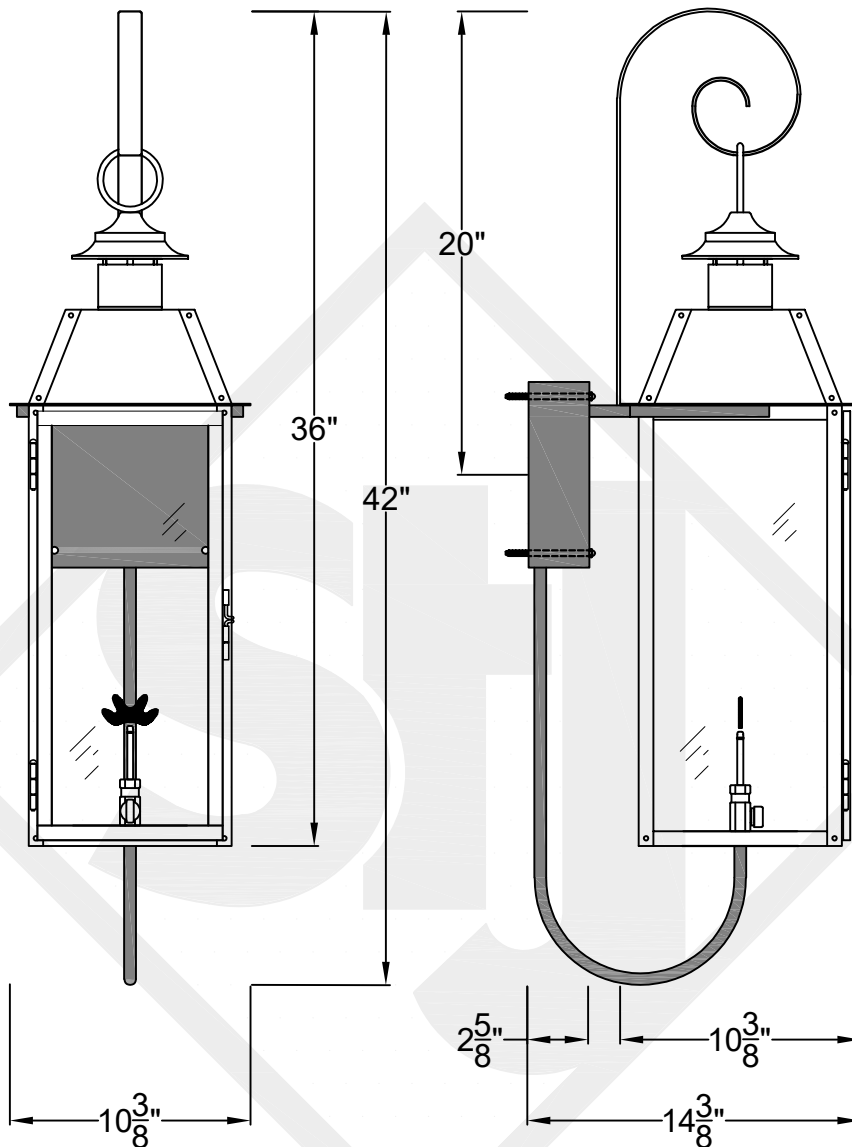
SCALE: N.T.S.	DRAFT: Y. McCullough
FILE: SWES	APP'D: J. Ragan
JOB: X	DATE: 1/5/24

Lights are handcrafted.  
Dimensions may vary by 1/4"

B.T.U. Rating  
 Natural Gas: 2730 B.T.U.  
 Propane: 2080 B.T.U.

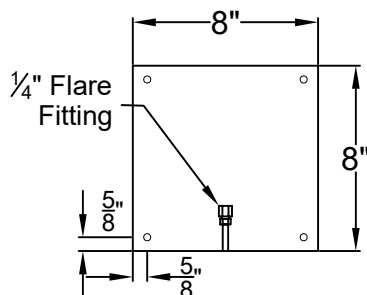
# SWEET WATER MEDIUM STEEL WALL MOUNT

Available w/ Solid  
or Glass Top



Front View

Side View



Backplate



St. James  
LIGHTING

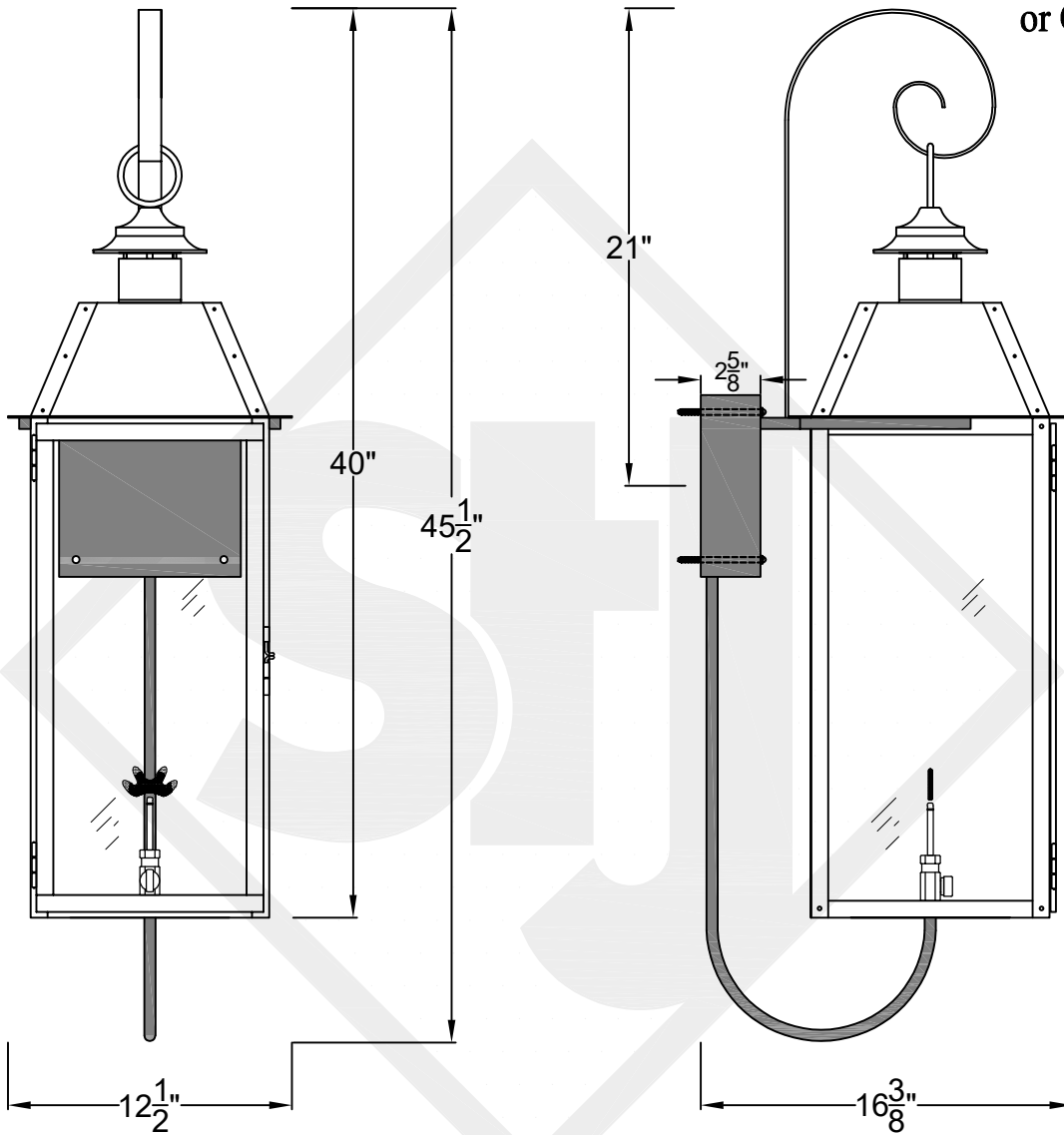
SCALE: N.T.S.	DRAFT: Y. McCullough
FILE: SWEM	APP'D: J. Ragan
JOB: X	DATE: 1/9/24

Lights are handcrafted.  
Dimensions may vary by 1/4"

B.T.U. Rating  
Natural Gas: 2730 B.T.U.  
Propane: 2080 B.T.U.

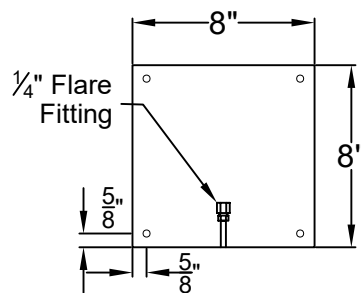
# SWEET WATER LARGE STEEL WALL MOUNT

Available w/ Solid  
or Glass Top



Front View

Side View



Backplate



St. James  
LIGHTING

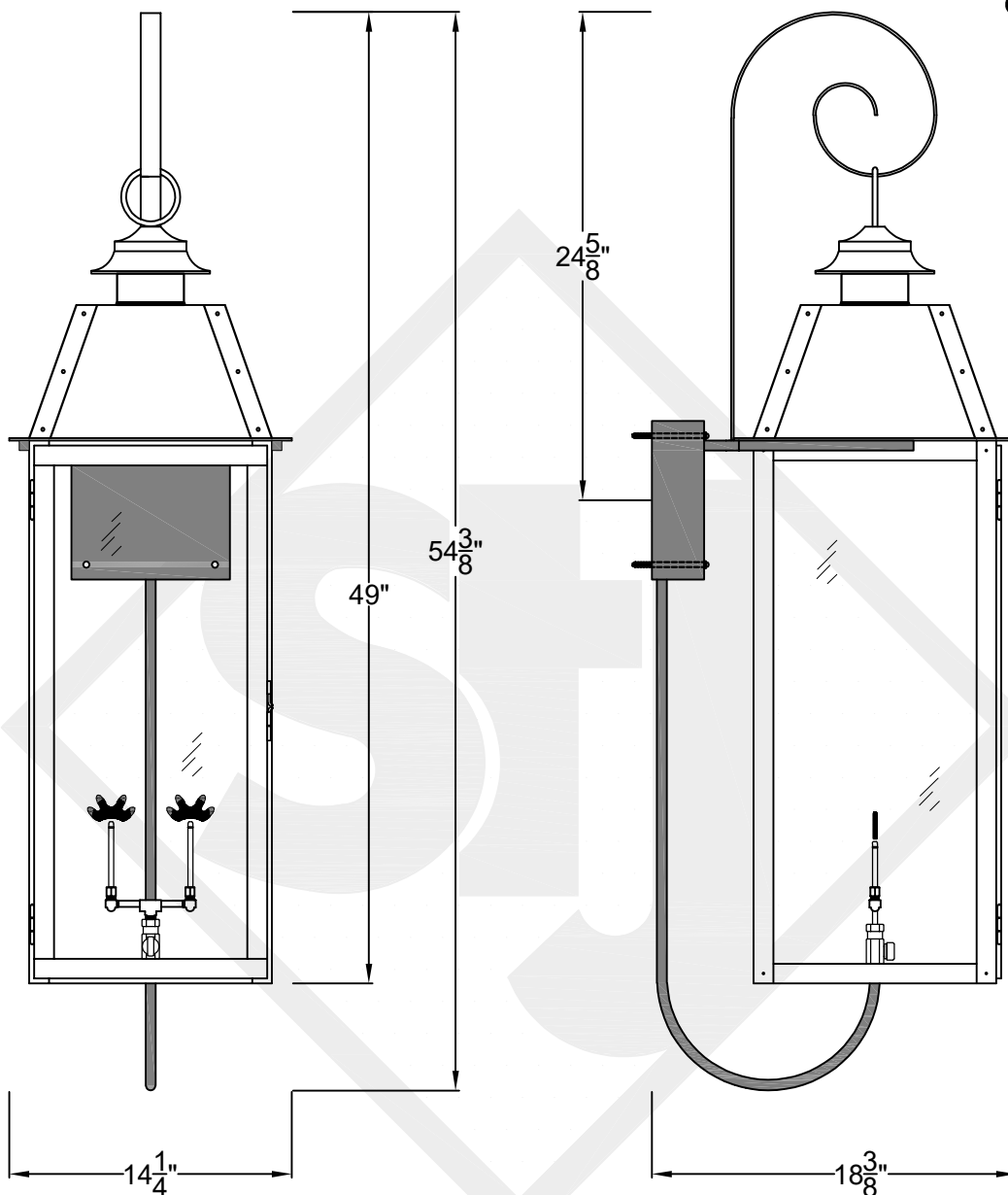
SCALE: N.T.S.	DRAFT: Y. McCullough
FILE: SWEL	APP'D: J. Ragan
JOB: X	DATE: 12/6/23

Lights are handcrafted.  
Dimensions may vary by 1/4"

B.T.U. Rating  
Natural Gas: 2730 B.T.U.  
Propane: 2080 B.T.U.

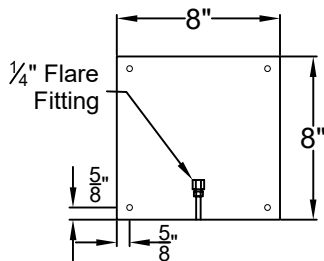
# SWEET WATER GRANDE STEEL WALL MOUNT

Available w/ Solid  
or Glass Top



Front View

Side View



Backplate



St. James  
LIGHTING

SCALE: N.T.S.	DRAFT: Y. McCullough
FILE: SWEG	APP'D: J. Ragan
JOB: X	DATE: 12/6/23

Lights are handcrafted.  
Dimensions may vary by 1/4"

B.T.U. Rating  
Natural Gas: 5460 B.T.U.  
Propane: 4160 B.T.U.