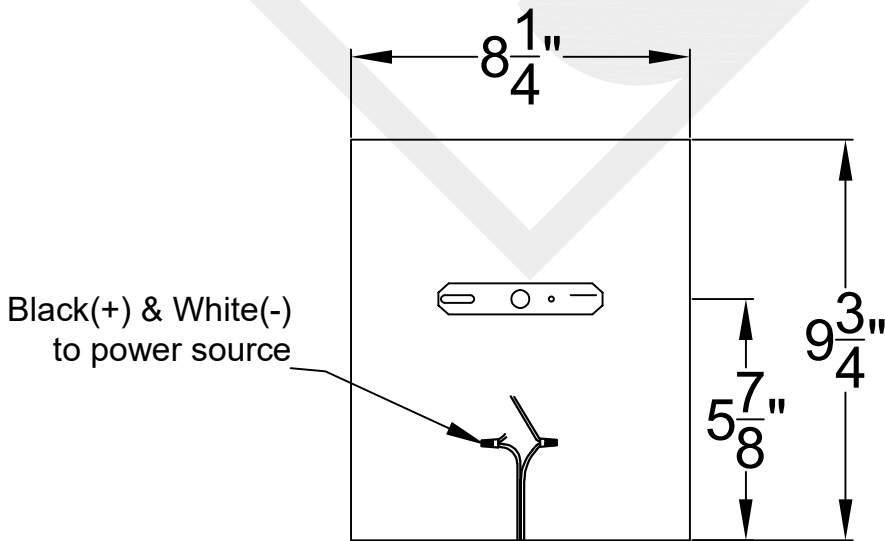
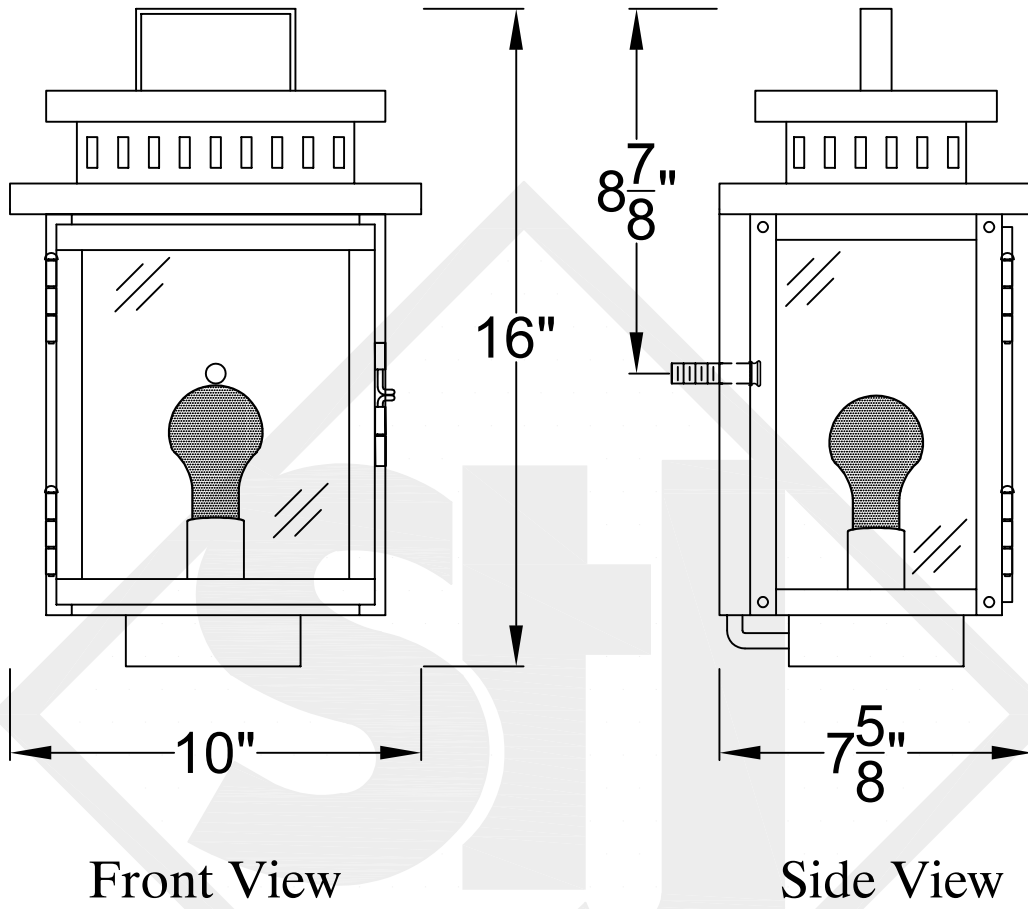


HARPER MINI COPPER WALL MOUNT



Backplate



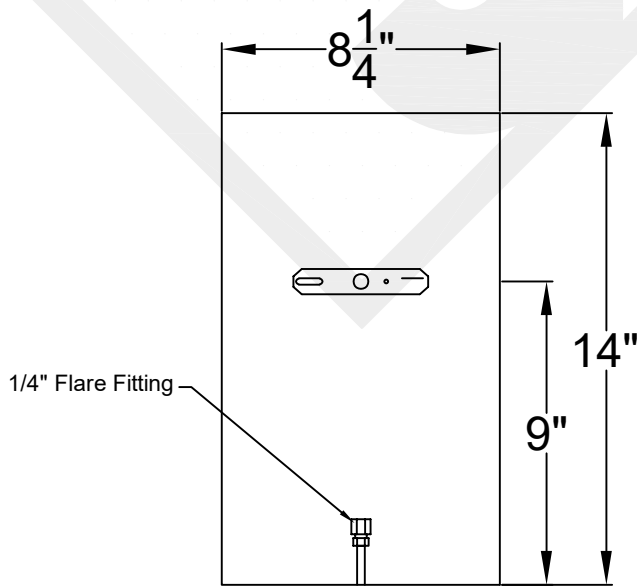
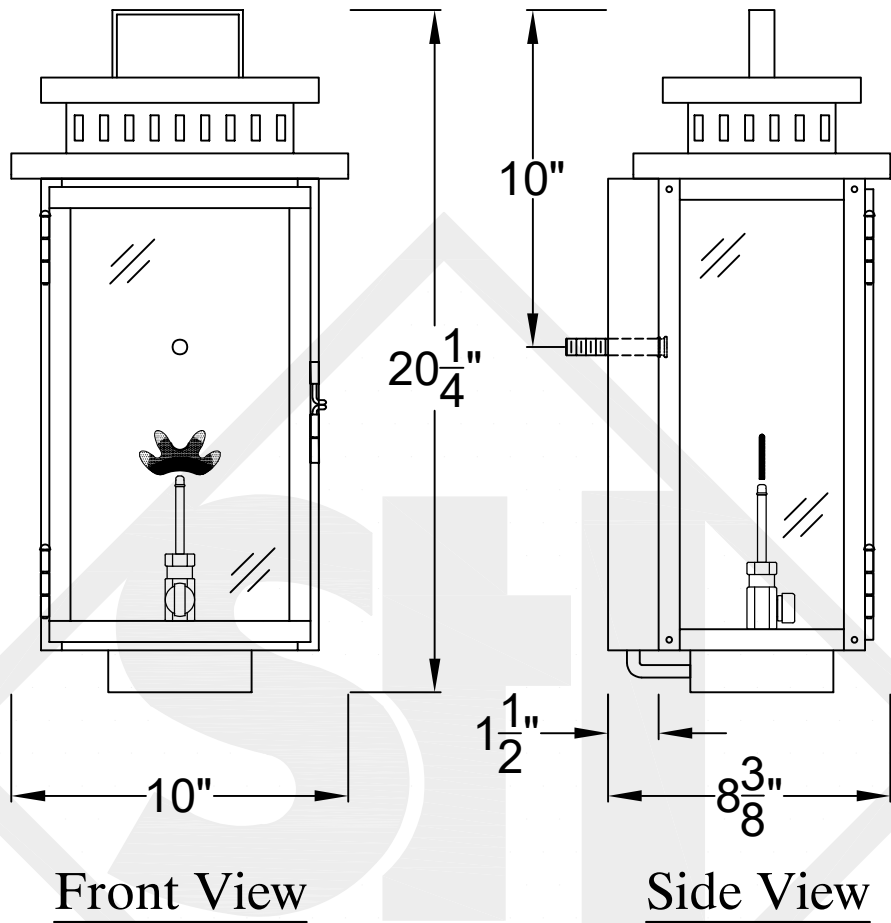
St. James
LIGHTING

SCALE: N.T.S.	DRAFT: T. Herring
FILE: HARMINI	APP'D: J. Ragan
JOB: X	DATE: 6-27-2023

Lights are handcrafted.
Dimensions may vary by 1/4"

UL Certified
Candelabra- Max 60 Watt Bulb
Edison- Max 660 Watt Bulb

HARPER SMALL COPPER WALL MOUNT



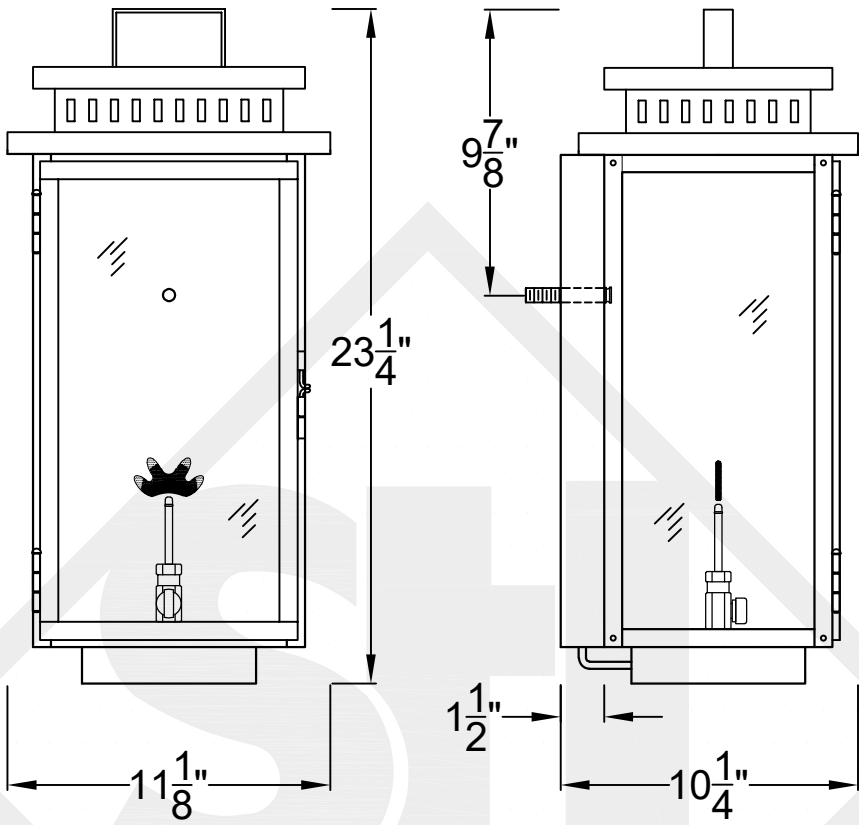
**St. James
LIGHTING**

SCALE: N.T.S.	DRAFT: T. Herring
FILE: HARS	APP'D: J. Ragan
JOB: X	DATE: 6-27-2023

Lights are handcrafted.
Dimensions may vary by 1/4"

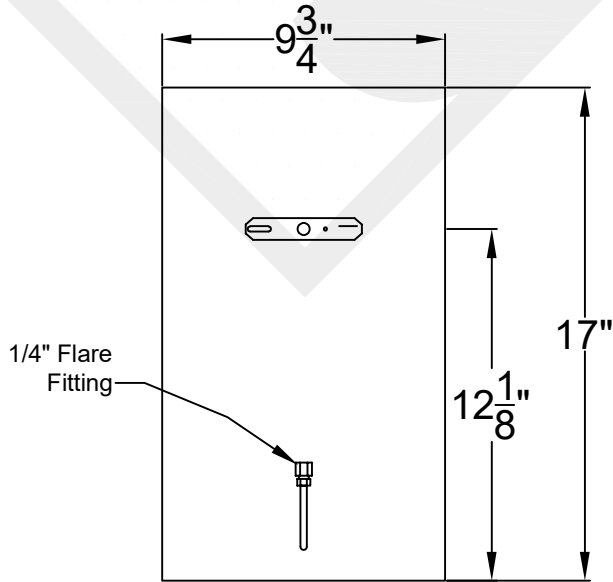
B.T.U. Rating
Natural Gas: 2730 B.T.U.
Propane: 2080 B.T.U.

HARPER MEDIUM COPPER WALL MOUNT



Front View

Side View



Backplate

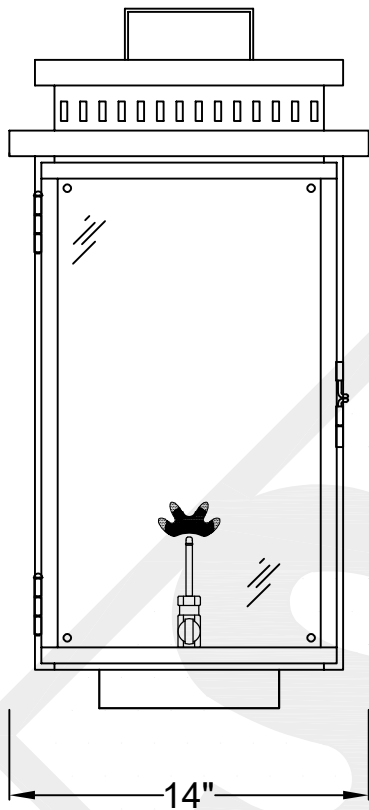


SCALE: N.T.S.	DRAFT: T. Herring
FILE: HARM	APP'D: J. Ragan
JOB: X	DATE: 6-27-2023

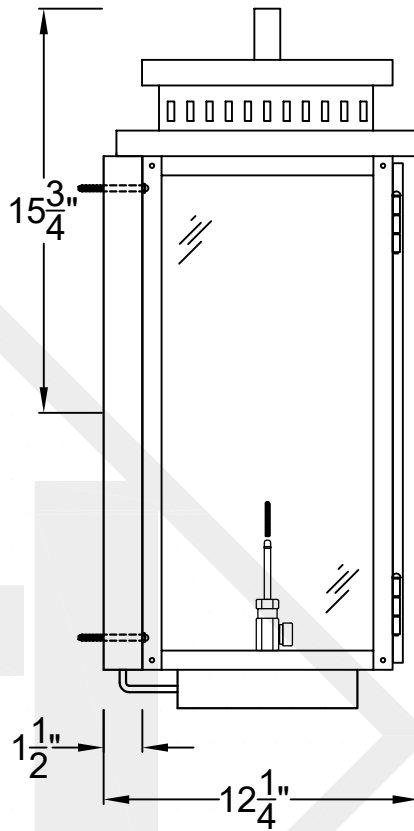
Lights are handcrafted.
Dimensions may vary by 1/4"

B.T.U. Rating
Natural Gas: 2730 B.T.U.
Propane: 2080 B.T.U.

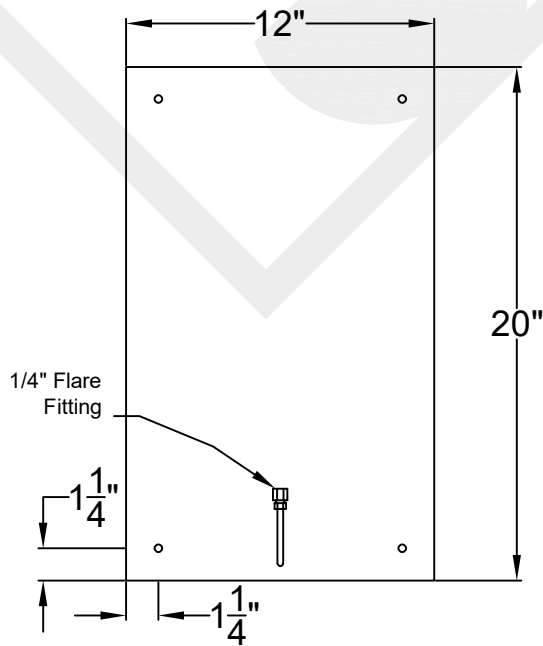
HARPER LARGE COPPER WALL MOUNT



Front View



Side View



Backplate



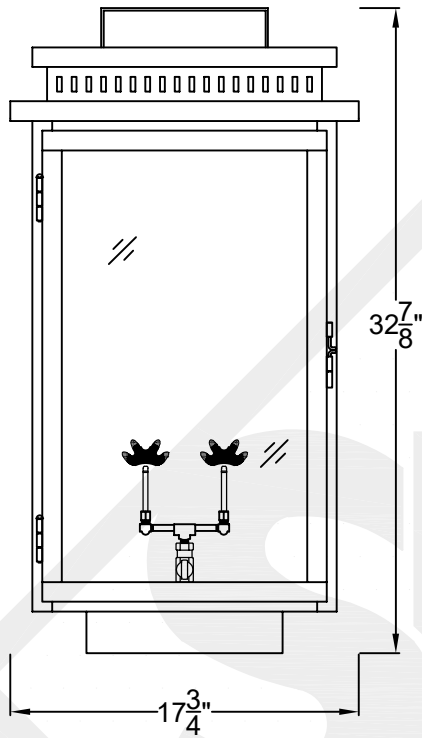
St. James
LIGHTING

SCALE: N.T.S.	DRAFT: Y. McCullough
FILE: HARL	APP'D: J. Ragan
JOB: X	DATE: 12/11/23

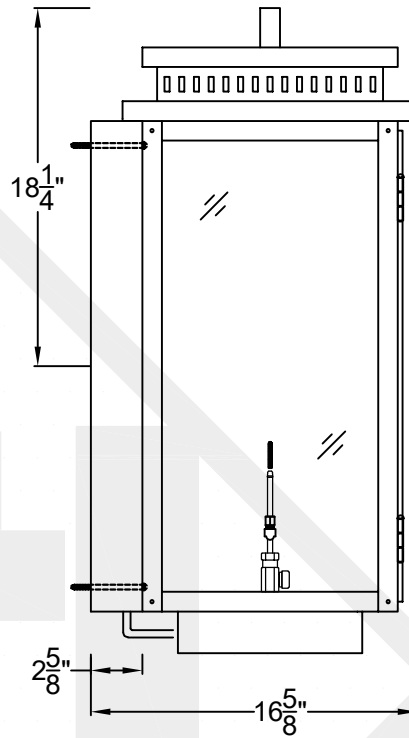
Lights are handcrafted.
Dimensions may vary by 1/4"

B.T.U. Rating
Natural Gas: 2730 B.T.U.
Propane: 2080 B.T.U.

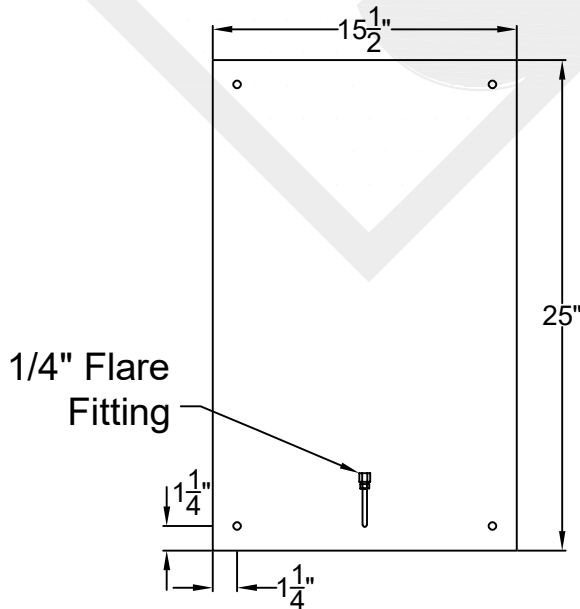
HARPER GRANDE COPPER WALL MOUNT



Front View



Side View



Backplate



St. James
LIGHTING

SCALE: N.T.S.	DRAFT: Y. McCullough
FILE: HARG	APP'D: J. Ragan
JOB: X	DATE: 12/11/23

Lights are handcrafted.
Dimensions may vary by 1/4"

B.T.U. Rating
Natural Gas: 5460 B.T.U.
Propane: 4160 B.T.U.