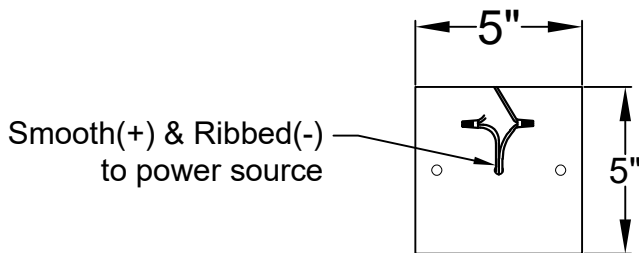
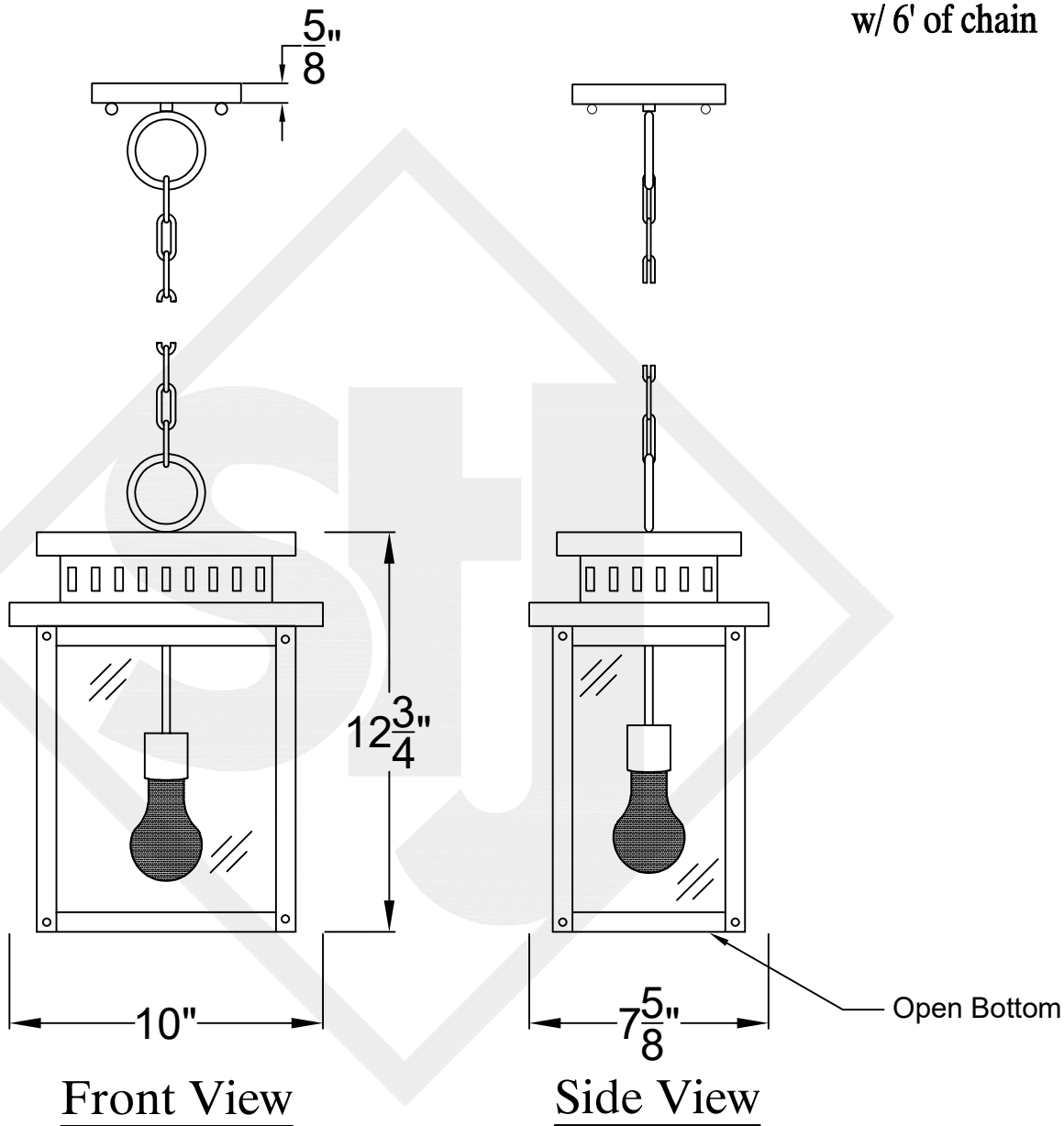


# HARPER MINI CHAIN HUNG PENDANT

Comes standard  
w/ 6' of chain



## Ceiling Mount



St. James  
LIGHTING

Mini not available in gas

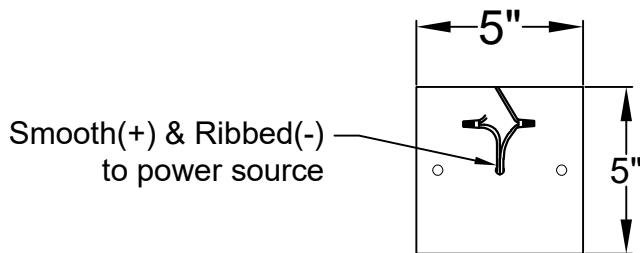
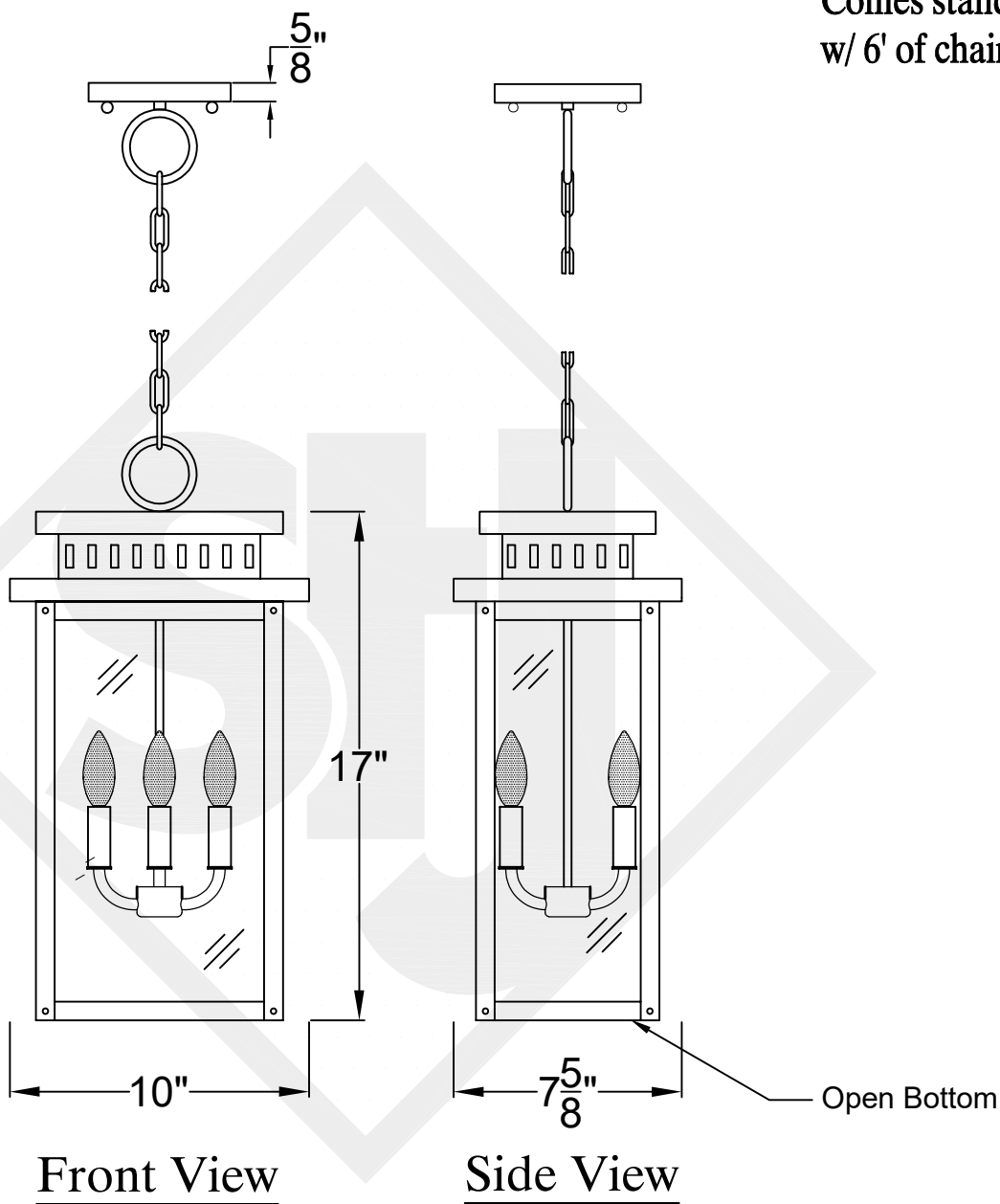
SCALE: N.T.S. DRAFT: Y. McCullough  
FILE: HARMINI APP'D: J. Ragan  
JOB: X DATE: 12/11/23

Lights are handcrafted.  
Dimensions may vary by 1/4"

UL Certified  
Candelabra- Max 60 Watt Bulb  
Edison- Max 660 Watt Bulb

# HARPER SMALL CHAIN HUNG PENDANT

Comes standard  
w/ 6' of chain



## Ceiling Mount



St. James  
LIGHTING

SCALE: N.T.S. DRAFT: Y. McCullough  
FILE: HARMINI APP'D: J. Ragan  
JOB: X DATE: 12/11/23

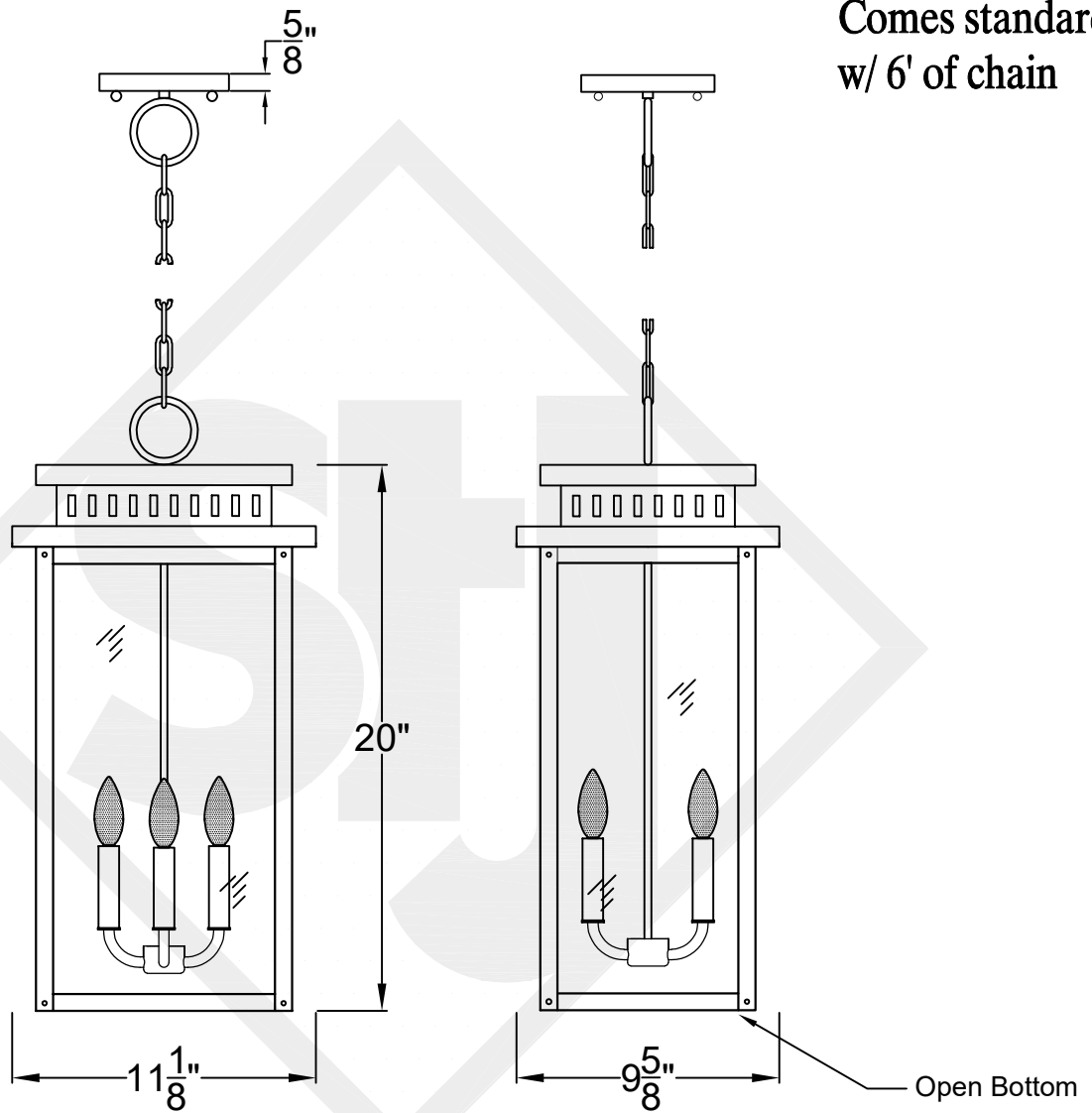
Lights are handcrafted.  
Dimensions may vary by 1/4"

UL Certified  
Candelabra- Max 60 Watt Bulb  
Edison- Max 660 Watt Bulb

Mini not available in gas

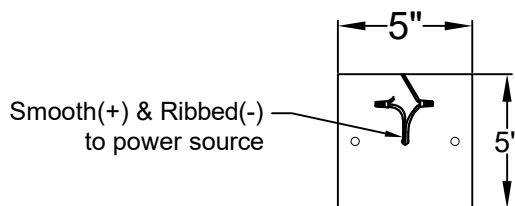
# HARPER MEDIUM CHAIN HUNG PENDANT

Comes standard  
w/ 6' of chain



Front View

Side View



Ceiling Mount



St. James  
LIGHTING

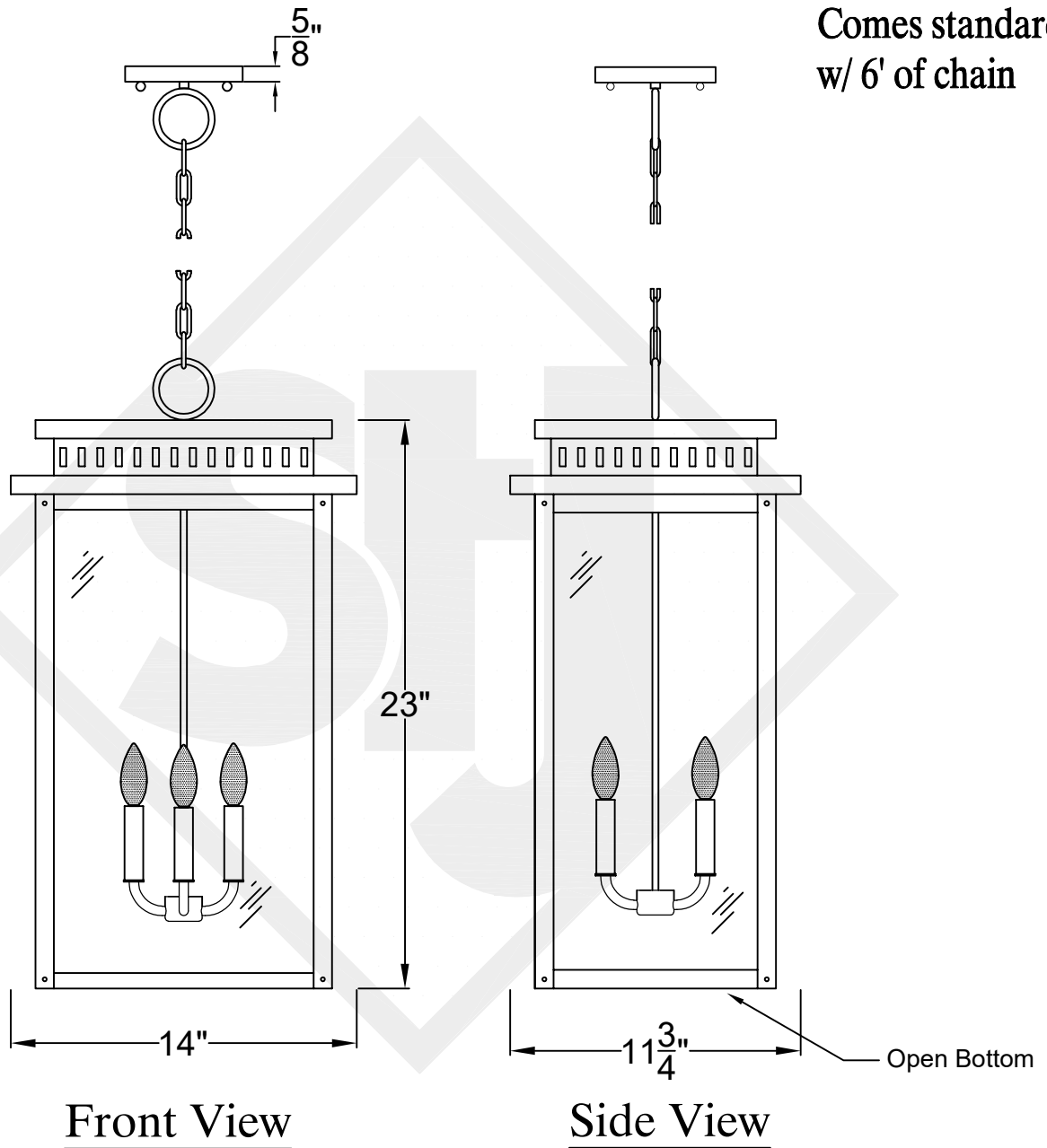
SCALE: N.T.S.	DRAFT: Y. McCullough
FILE: HARM	APP'D: J. Ragan
JOB: X	DATE: 12/11/23

Lights are handcrafted.  
Dimensions may vary by 1/4"

UL Certified  
Candelabra- Max 60 Watt Bulb  
Edison- Max 660 Watt Bulb

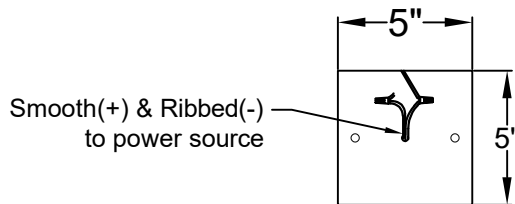
# HARPER LARGE CHAIN HUNG PENDANT

Comes standard  
w/ 6' of chain



Front View

Side View



Ceiling Mount



St. James  
LIGHTING

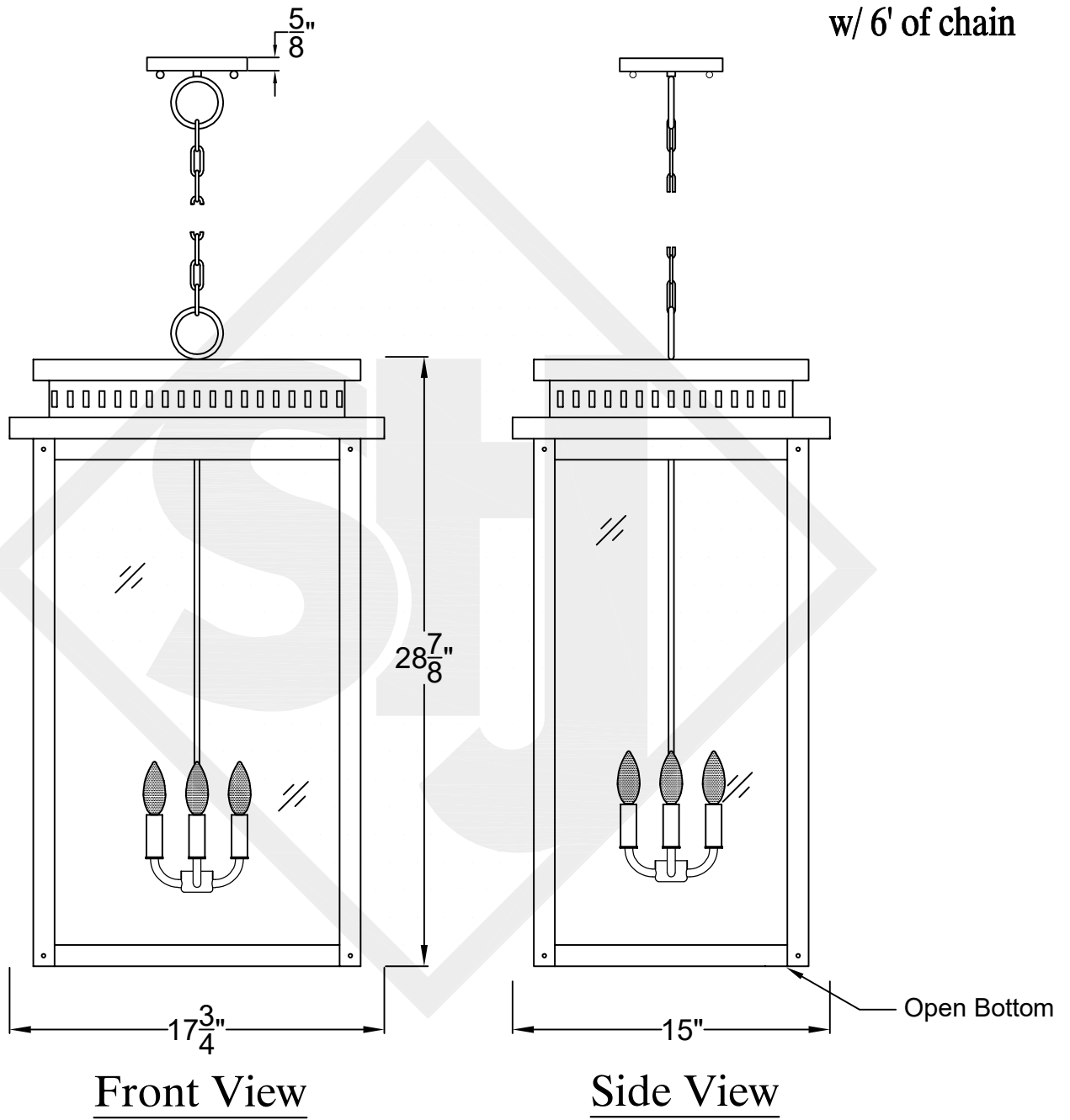
SCALE: N.T.S.	DRAFT: Y. McCullough
FILE: HARL	APP'D: J. Ragan
JOB: X	DATE: 12/11/23

Lights are handcrafted.  
Dimensions may vary by 1/4"

UL Certified  
Candelabra- Max 60 Watt Bulb  
Edison- Max 660 Watt Bulb

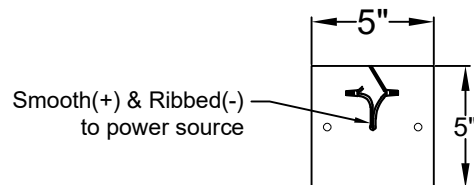
# HARPER GRANDE CHAIN HUNG PENDANT

Comes standard  
w/ 6' of chain



Front View

Side View



Ceiling Mount



St. James  
LIGHTING

SCALE: N.T.S.	DRAFT: T. Herring
FILE: HARG	APP'D: J. Ragan
JOB: X	DATE: 8-1-2023

Lights are handcrafted.  
Dimensions may vary by 1/4"

UL Certified  
Candelabra- Max 60 Watt Bulb  
Edison- Max 660 Watt Bulb