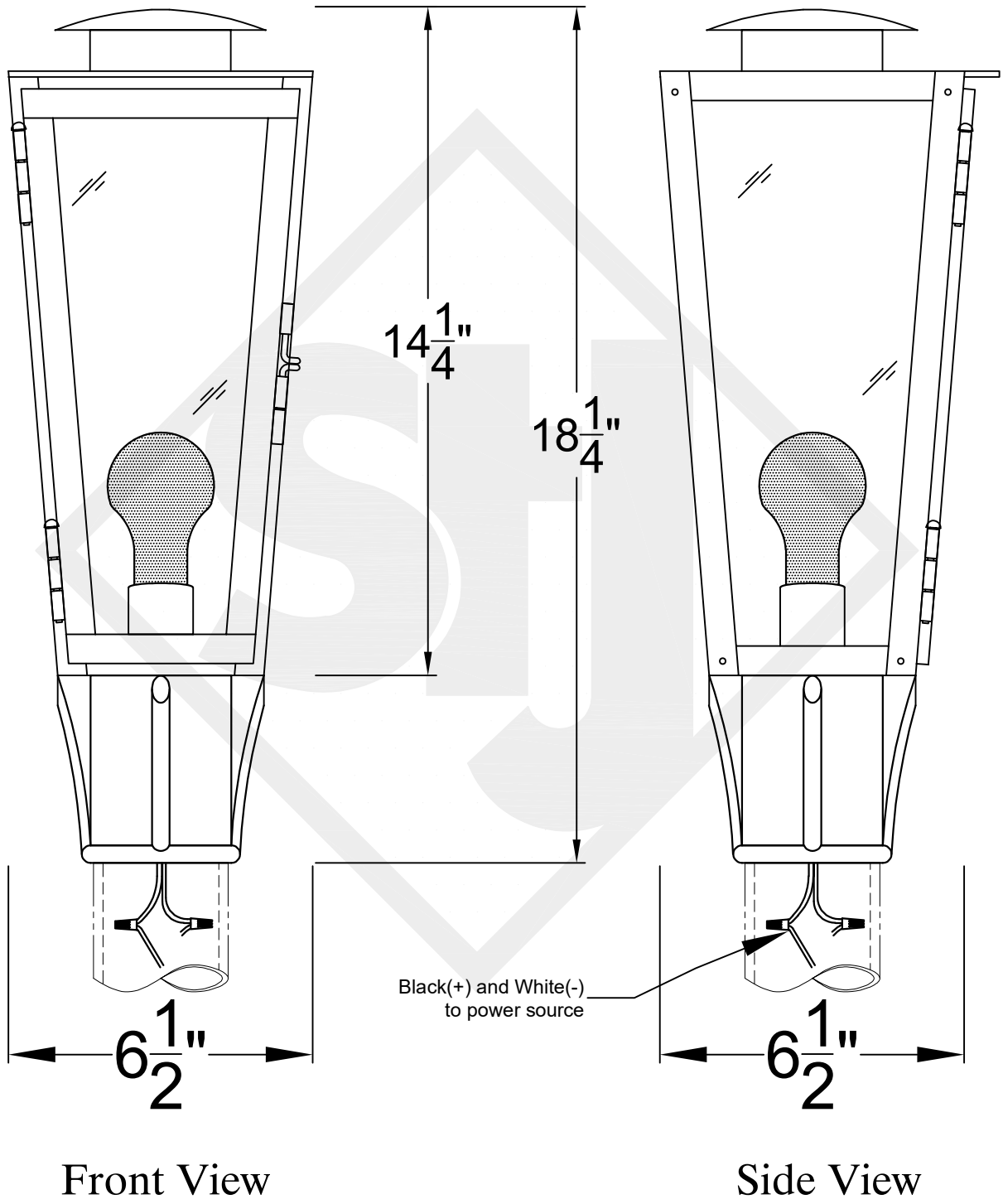


EQUESTRIAN MINI COPPER POST MOUNT



St. James
LIGHTING

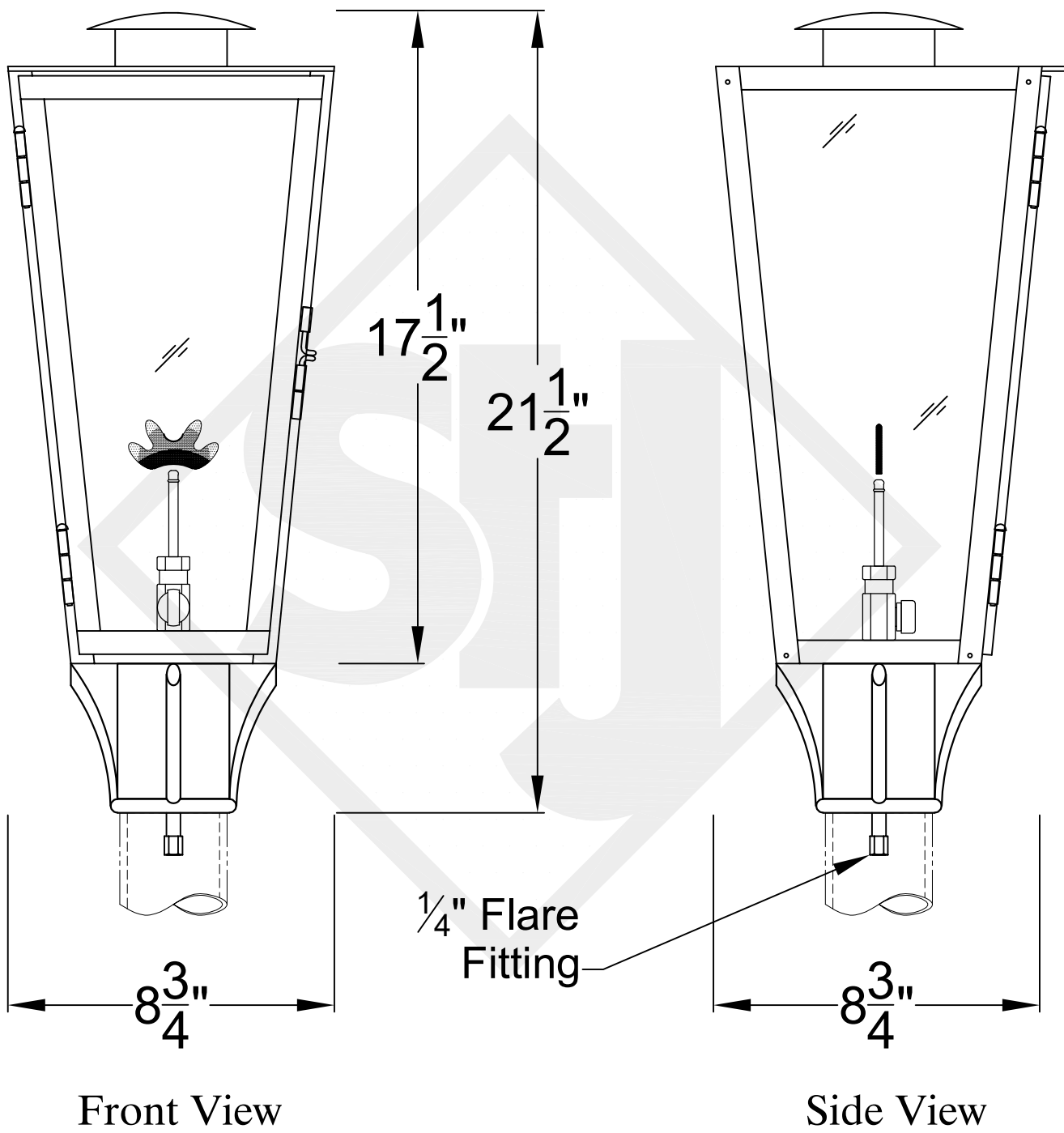
SCALE: N.T.S.	DRAFT: Y. McCullough
FILE: EQU MINI	APP'D: J. Ragan
JOB: X	DATE: 12/14/23

Lights are handcrafted.
Dimensions may vary by 1/4"

Mini not Available in Gas

UL Certified
Candelabra- Max 60 Watt Bulb
Edison- Max 660 Watt Bulb

EQUESTRIAN SMALL COPPER POST MOUNT



Front View

Side View



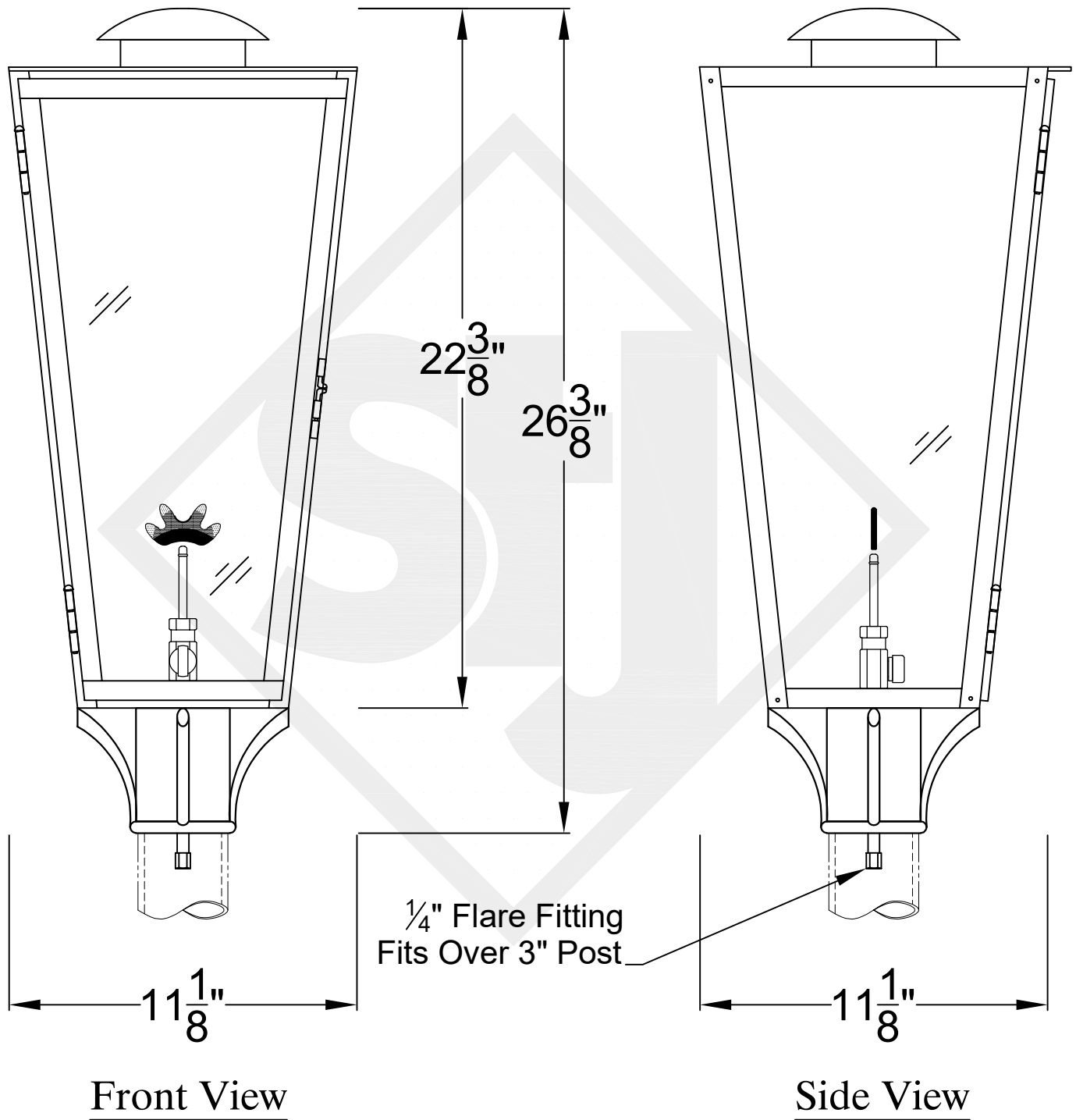
St. James
LIGHTING

SCALE: N.T.S. DRAFT: Y. McCullough
FILE: EQUUS APP'D: J. Ragan
JOB: X DATE: 12/14/23

Lights are handcrafted.
Dimensions may vary by 1/4"

B.T.U. Rating
Natural Gas: 2730 B.T.U.
Propane: 2080 B.T.U.

EQUESTRIAN MEDIUM COPPER POST MOUNT



Front View

Side View



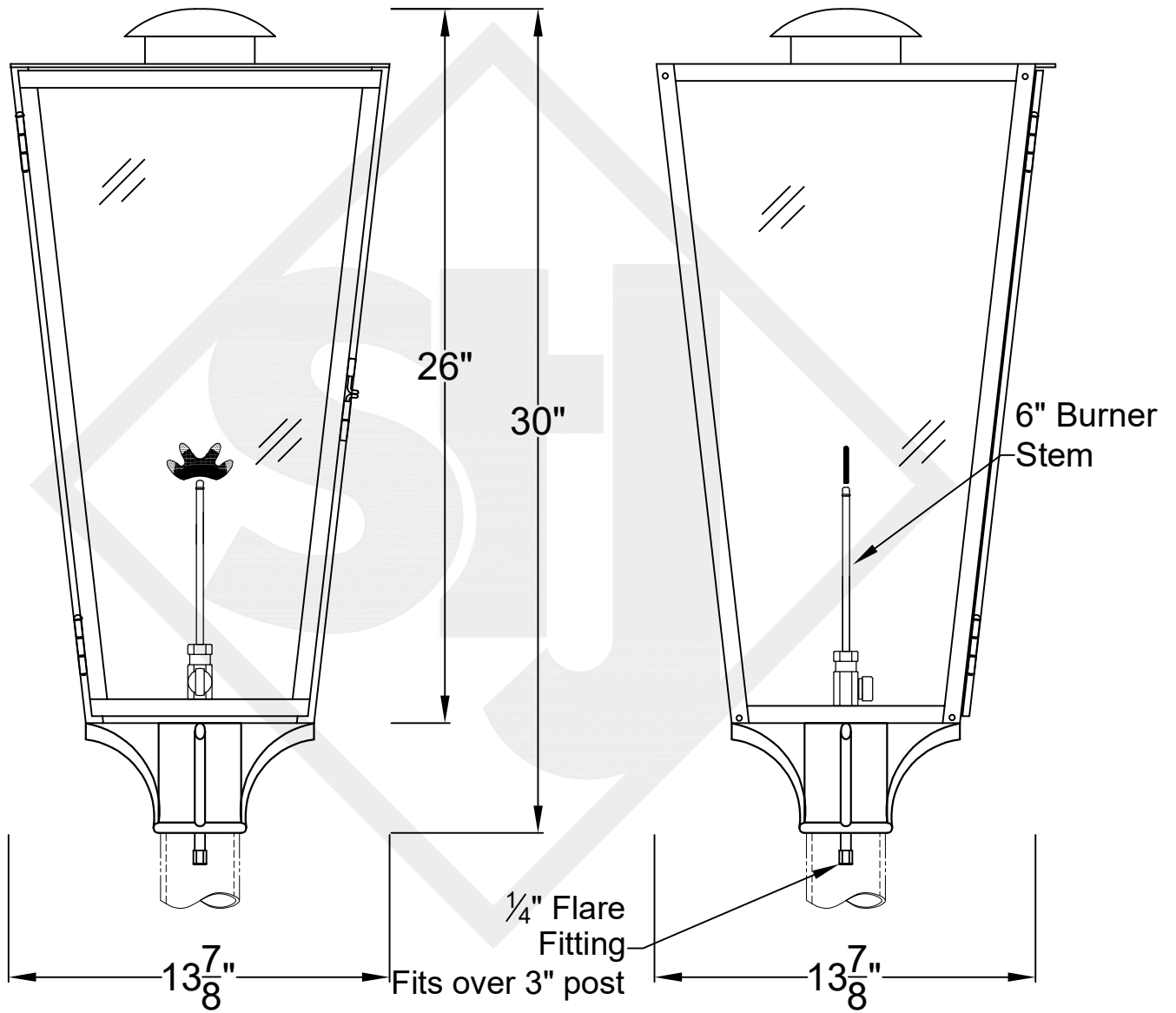
St. James
LIGHTING

SCALE: N.T.S.	DRAFT: Y. McCullough
FILE: EQU	APP'D: J. Ragan
JOB: X	DATE: 12/14/23

Lights are handcrafted.
Dimensions may vary by 1/4"

B.T.U. Rating
Natural Gas: 2730 B.T.U.
Propane: 2080 B.T.U.

EQUESTRIAN LARGE COPPER POST MOUNT



Front View

Side View



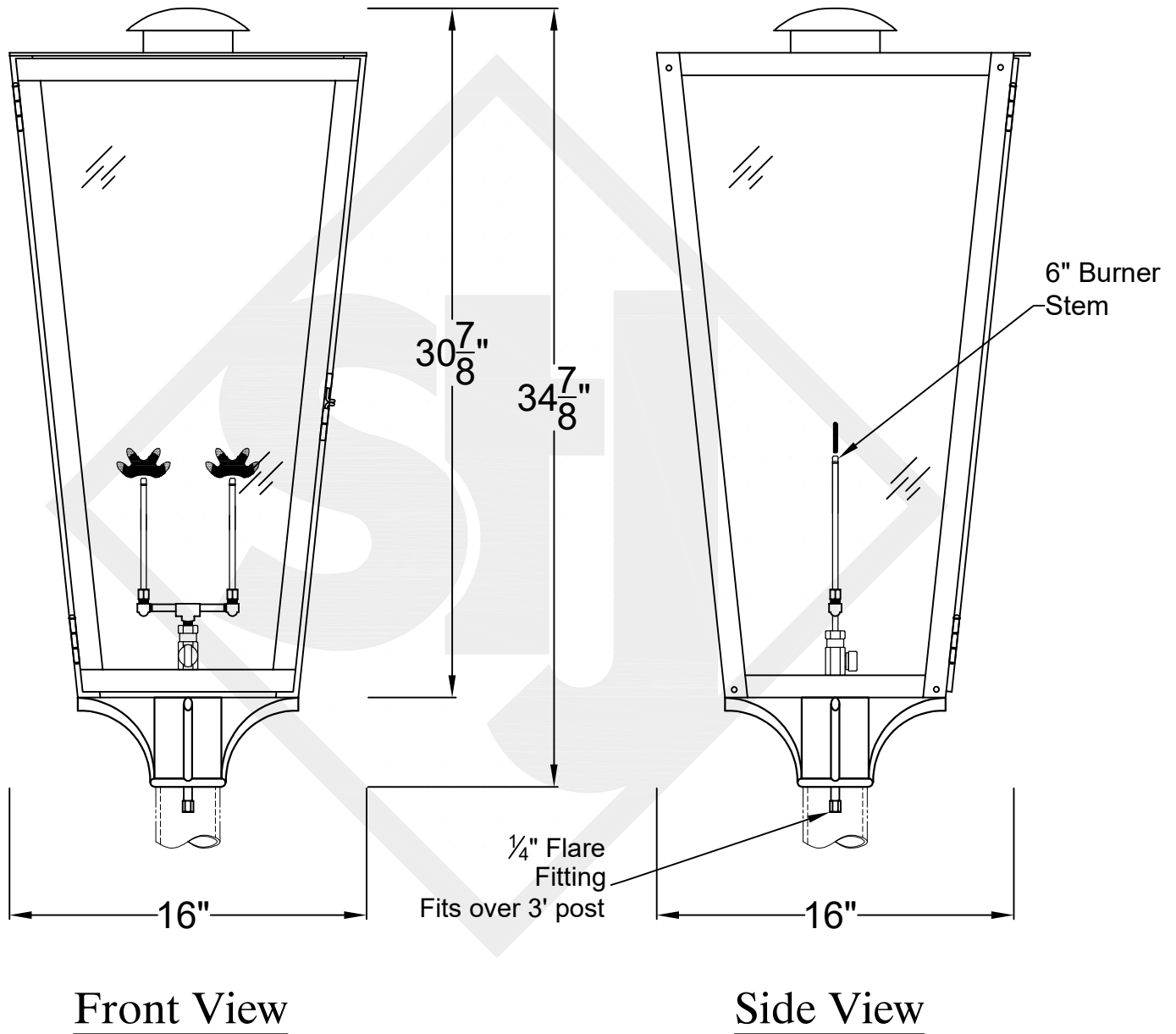
St. James
LIGHTING

SCALE: N.T.S.	DRAFT: Y. McCullough
FILE: EQU	APP'D: J. Ragan
JOB: X	DATE: 12/14/23

Lights are handcrafted.
Dimensions may vary by 1/4"

B.T.U. Rating
Natural Gas: 2730 B.T.U.
Propane: 2080 B.T.U.

EQUESTRIAN GRANDE COPPER POST MOUNT



St. James
LIGHTING

SCALE: N.T.S.	DRAFT: Y. McCullough
FILE: EQUG	APP'D: J. Ragan
JOB: X	DATE: 12/14/23

Lights are handcrafted.
Dimensions may vary by 1/4"

B.T.U. Rating
Natural Gas: 5460 B.T.U.
Propane: 4160 B.T.U.