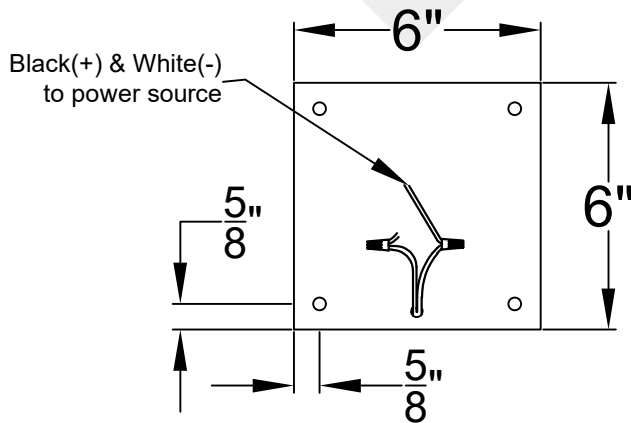
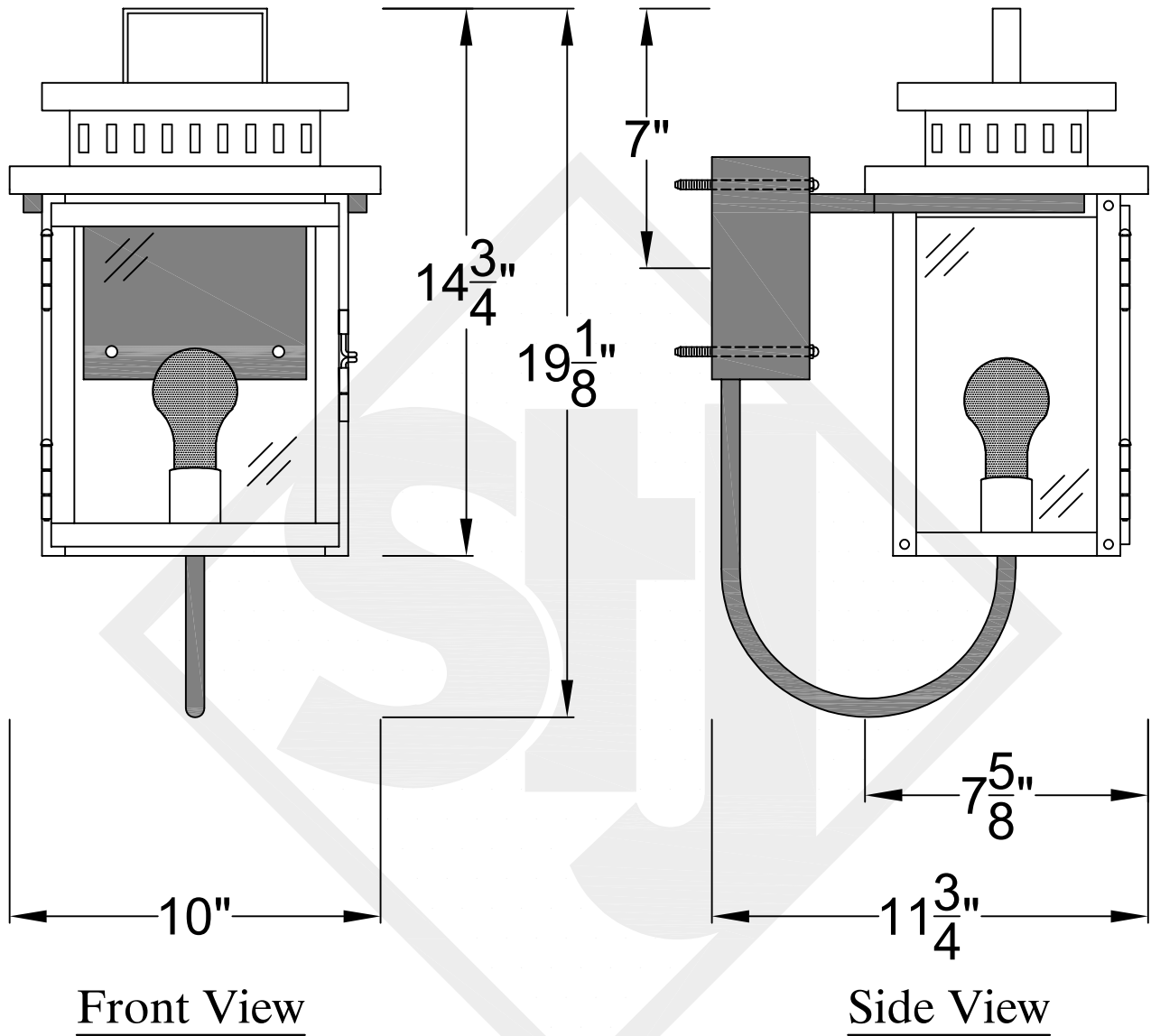


HARPER MINI STEEL WALL MOUNT



Backplate



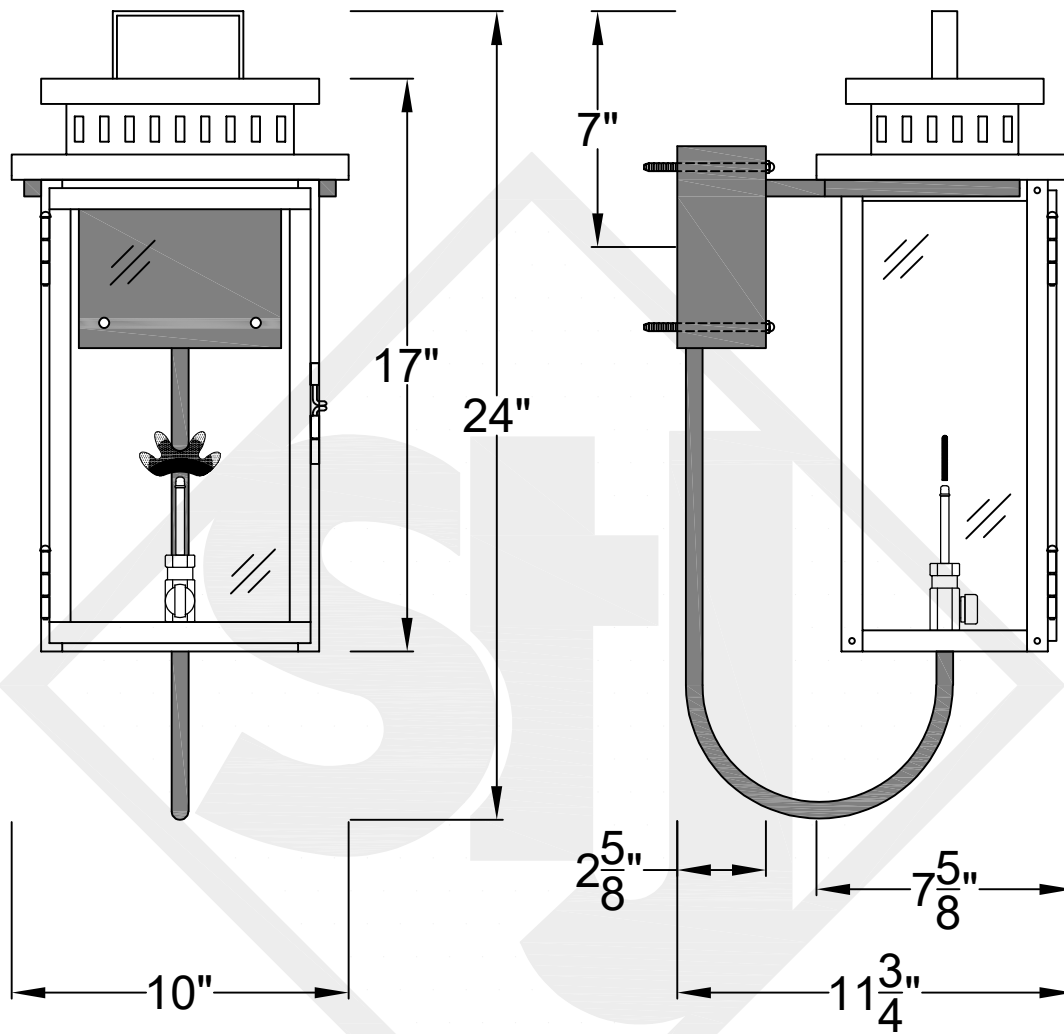
St. James
LIGHTING

SCALE: N.T.S.	DRAFT: Y. McCullough
FILE: HARMINI	APP'D: J. Ragan
JOB: X	DATE: 12/11/23

Lights are handcrafted.
Dimensions may vary by 1/4"

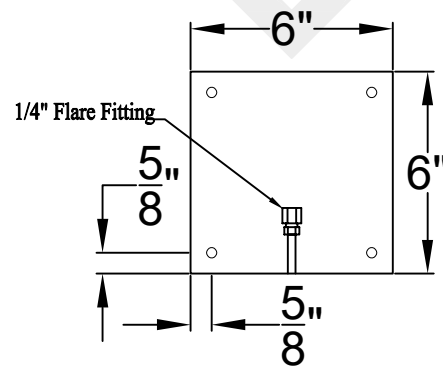
UL Certified
Candelabra- Max 60 Watt Bulb
Edison- Max 660 Watt Bulb

HARPER SMALL STEEL WALL MOUNT



Front View

Side View



Backplate



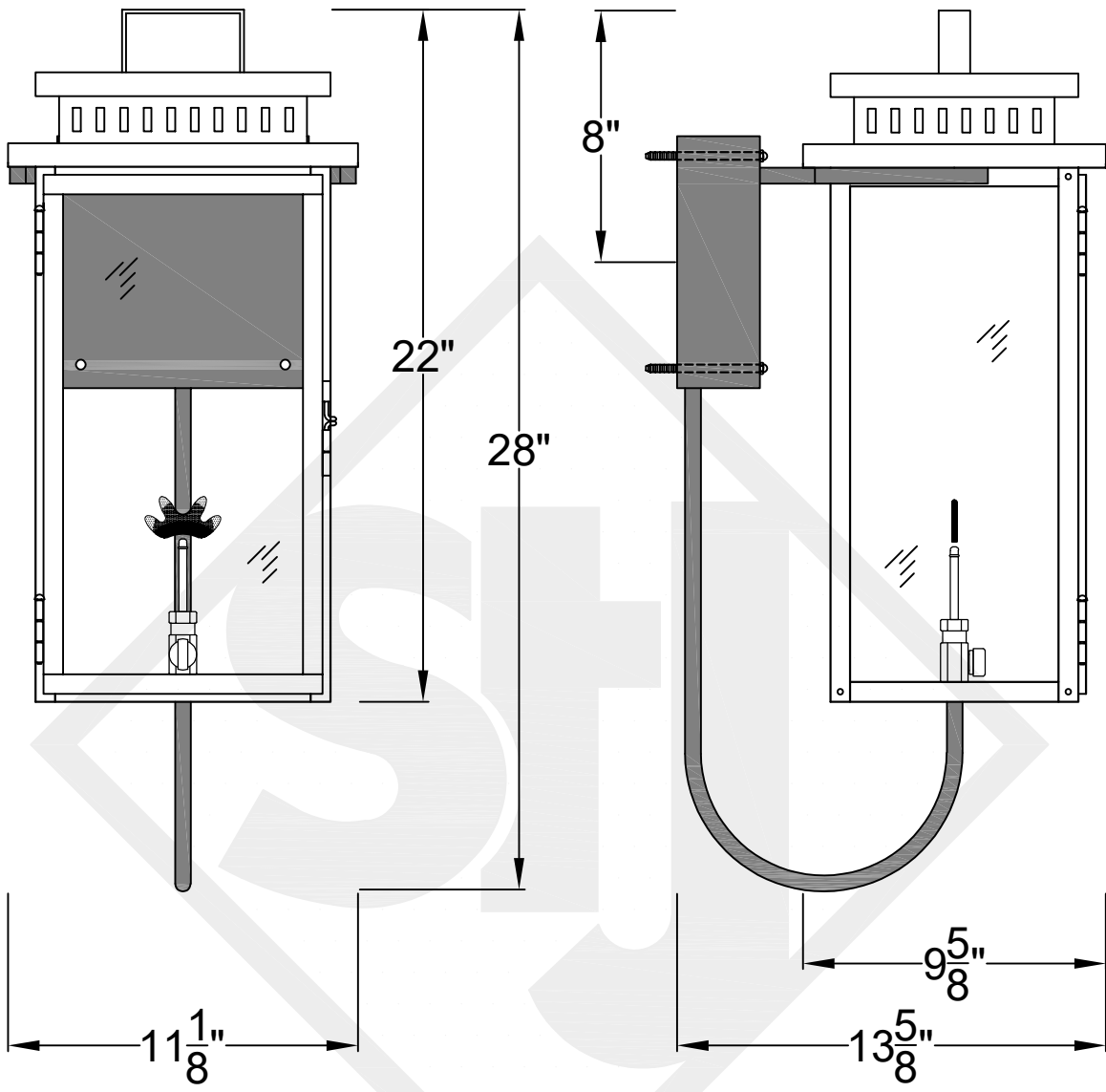
St. James
LIGHTING

SCALE: N.T.S.	DRAFT: Y. McCullough
FILE: HARS	APP'D: J. Ragan
JOB: X	DATE: 12/11/23

Lights are handcrafted.
Dimensions may vary by 1/4"

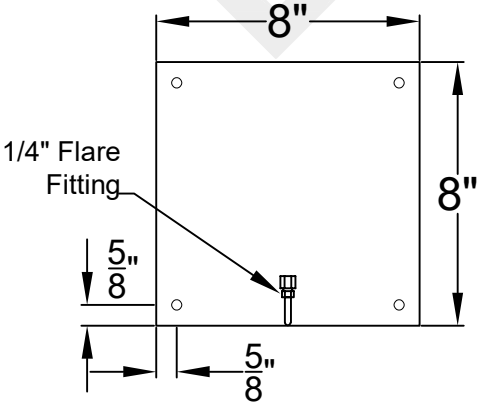
B.T.U. Rating
Natural Gas: 2730 B.T.U.
Propane: 2080 B.T.U.

HARPER MEDIUM STEEL WALL MOUNT




Front View

Side View



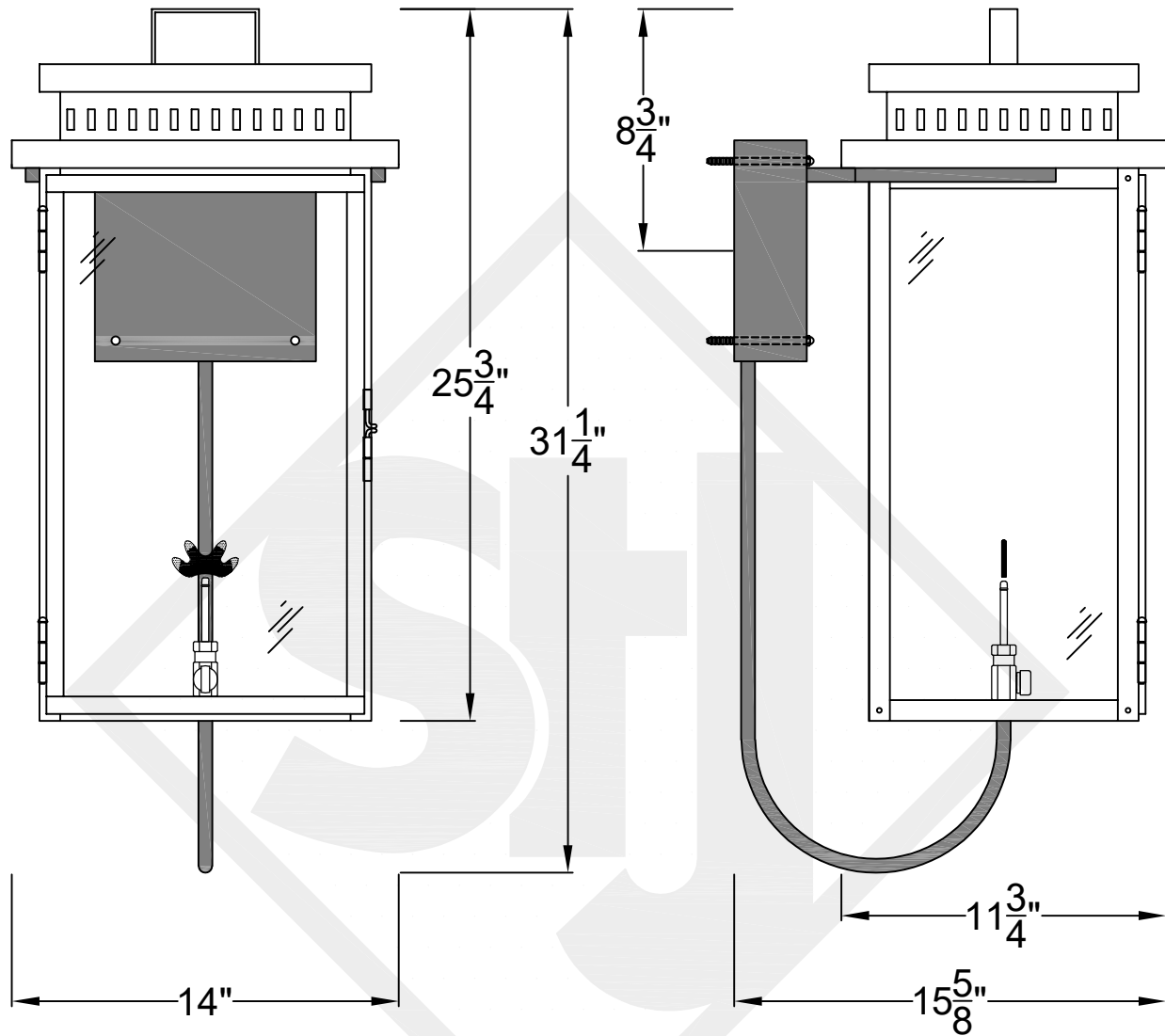
Backplate

	St. James LIGHTING	
	SCALE: N.T.S.	DRAFT: T. Herring
	FILE: HARM	APP'D: J. Ragan
	JOB: X	DATE: 6-28-2023

Lights are handcrafted.
Dimensions may vary by 1/4"

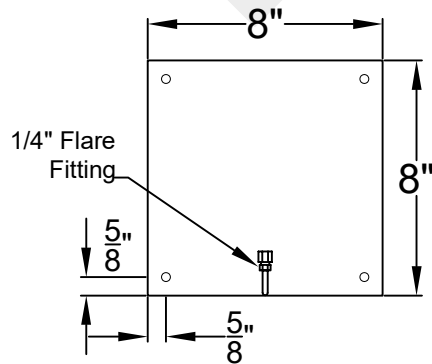
B.T.U. Rating
Natural Gas: 2730 B.T.U.
Propane: 2080 B.T.U.

HARPER LARGE STEEL WALL MOUNT



Front View

Side View



Backplate



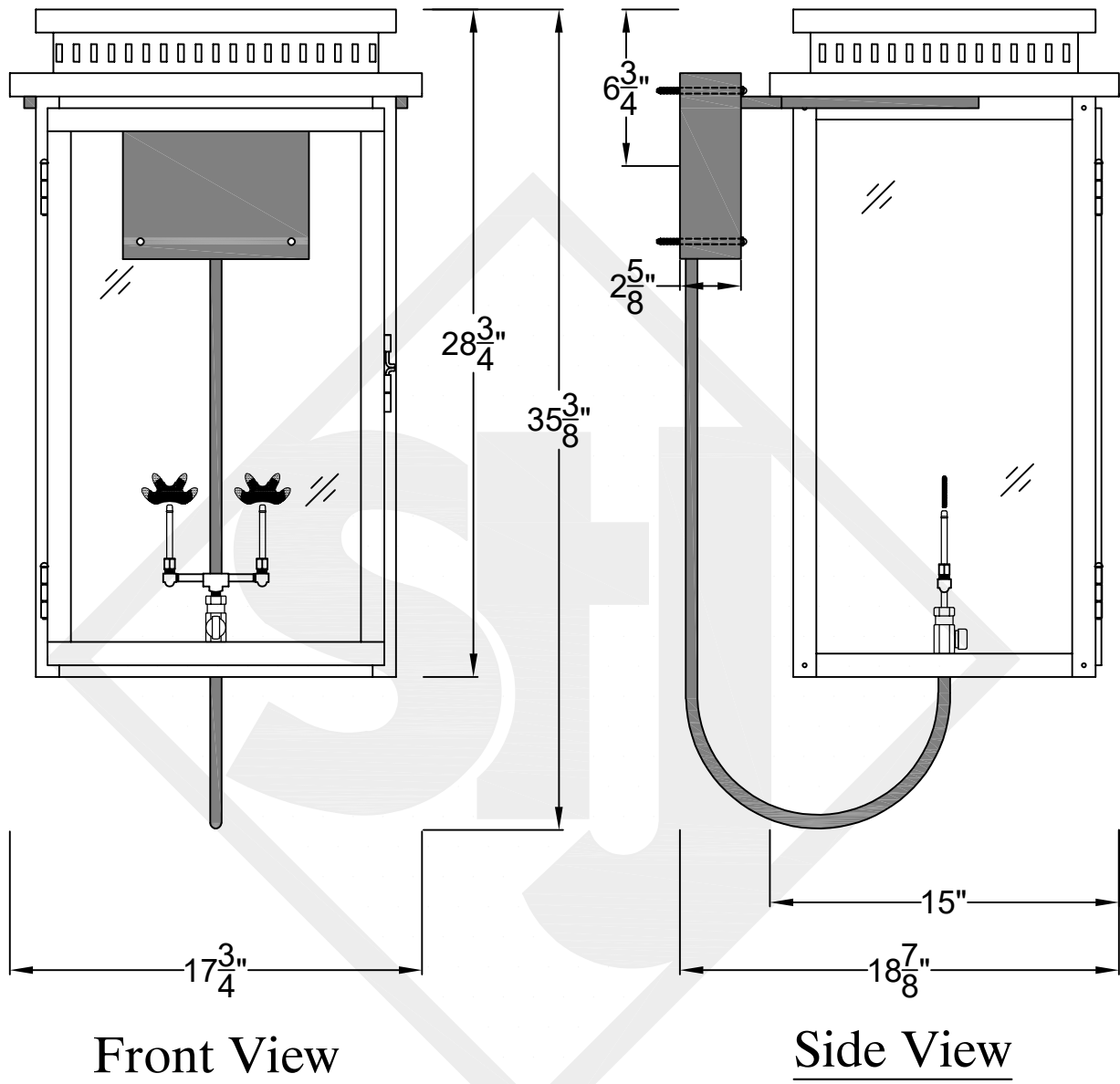
St. James
LIGHTING

SCALE: N.T.S.	DRAFT: Y. McCullough
FILE: HARL	APP'D: J. Ragan
JOB: X	DATE: 12/11/23

Lights are handcrafted.
Dimensions may vary by 1/4"

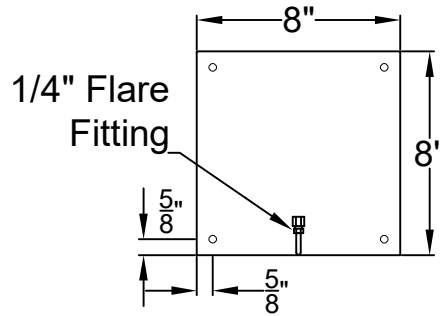
B.T.U. Rating
Natural Gas: 2730 B.T.U.
Propane: 2080 B.T.U.

HARPER GRANDE STEEL WALL MOUNT



Front View

Side View



Backplate



St. James
LIGHTING

SCALE: N.T.S.	DRAFT: Y. McCullough
FILE: HARG	APP'D: J. Ragan
JOB: X	DATE: 12/11/23

Lights are handcrafted.
Dimensions may vary by 1/4"

B.T.U. Rating
Natural Gas: 5460 B.T.U.
Propane: 4160 B.T.U.