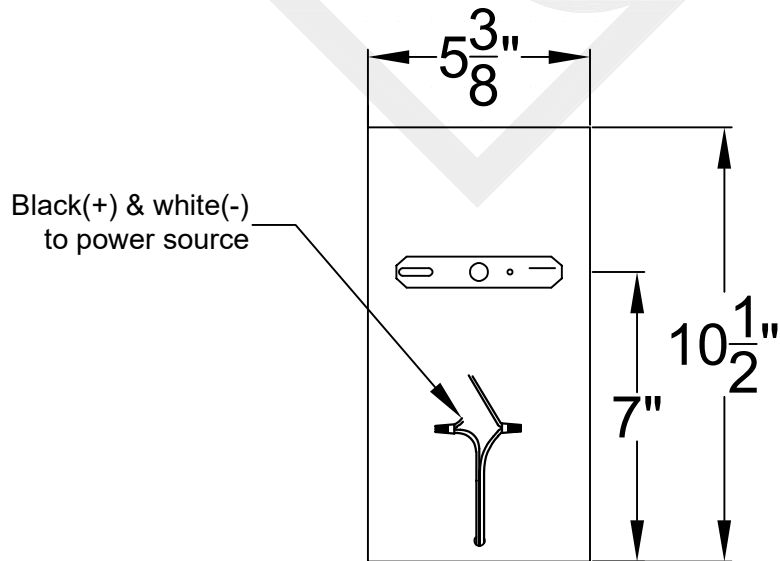
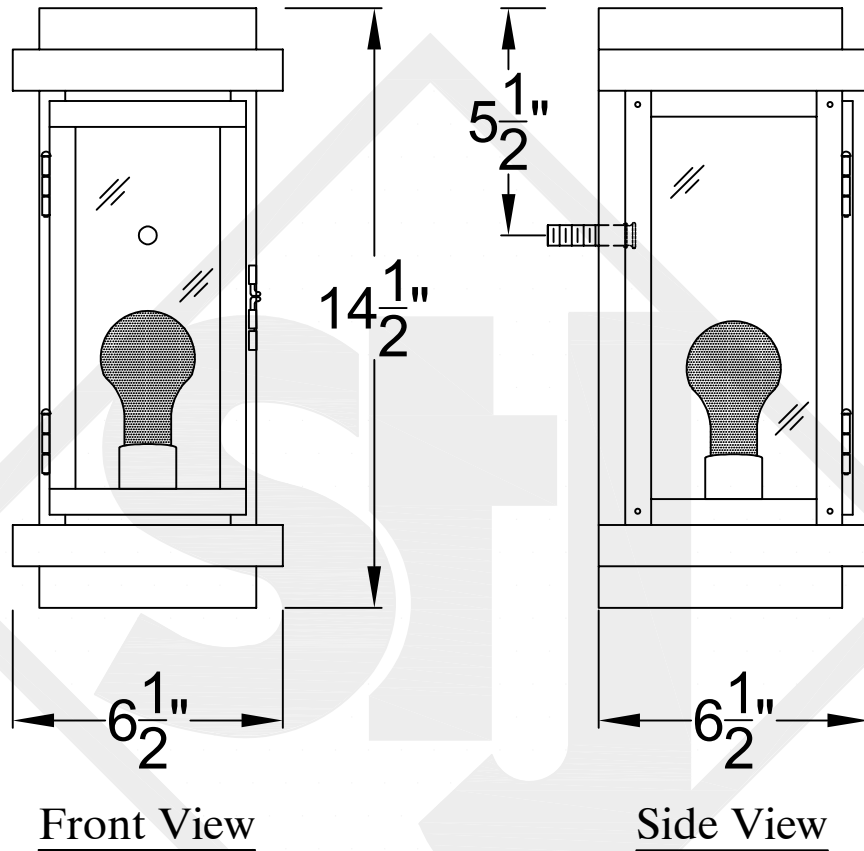


WINNIPEG MINI COPPER WALL BRACKET



Backplate



St. James
LIGHTING

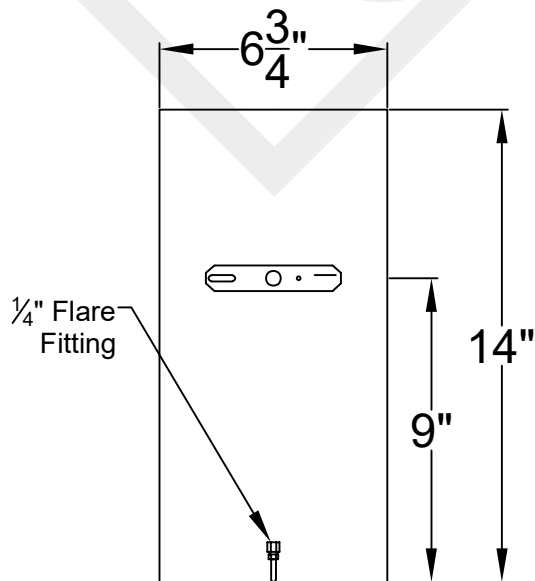
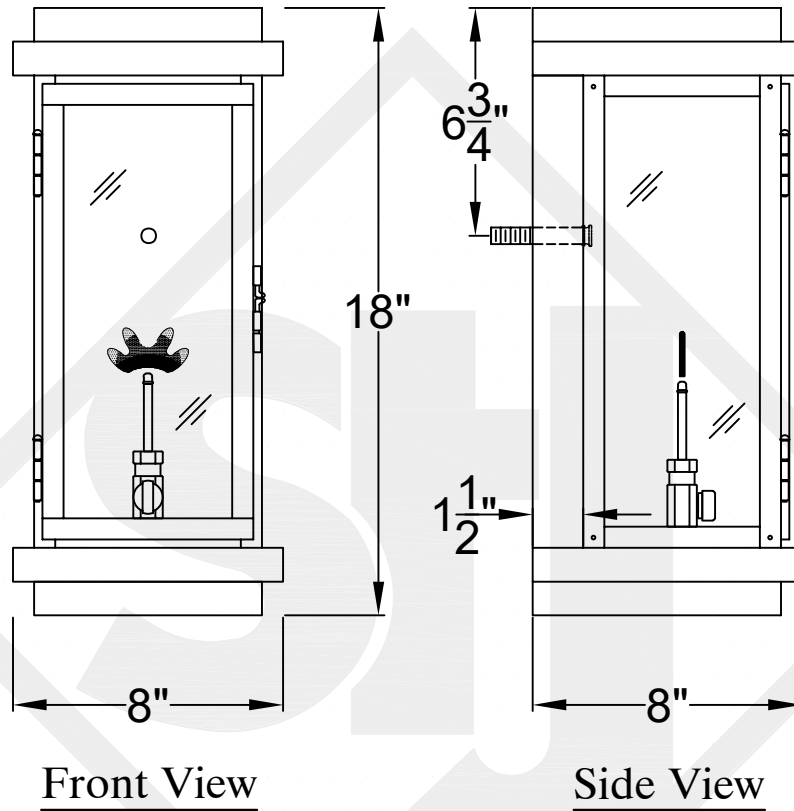
SCALE: N.T.S. DRAFT: T. Herring
FILE: WINMINI APP'D: J. Ragan
JOB: X DATE: 8-29-2023

Lights are handcrafted.
Dimensions may vary by 1/4"

Mini not Available in Gas

UL Certified
Candelabra- Max 60 Watt Bulb
Edison- Max 660 Watt Bulb

WINNIPEG SMALL COPPER WALL BRACKET



Backplate



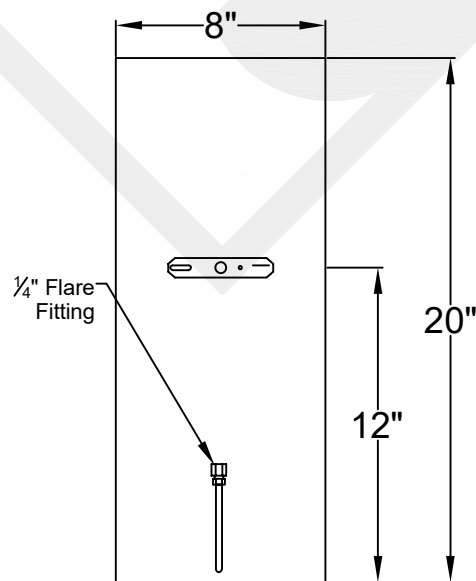
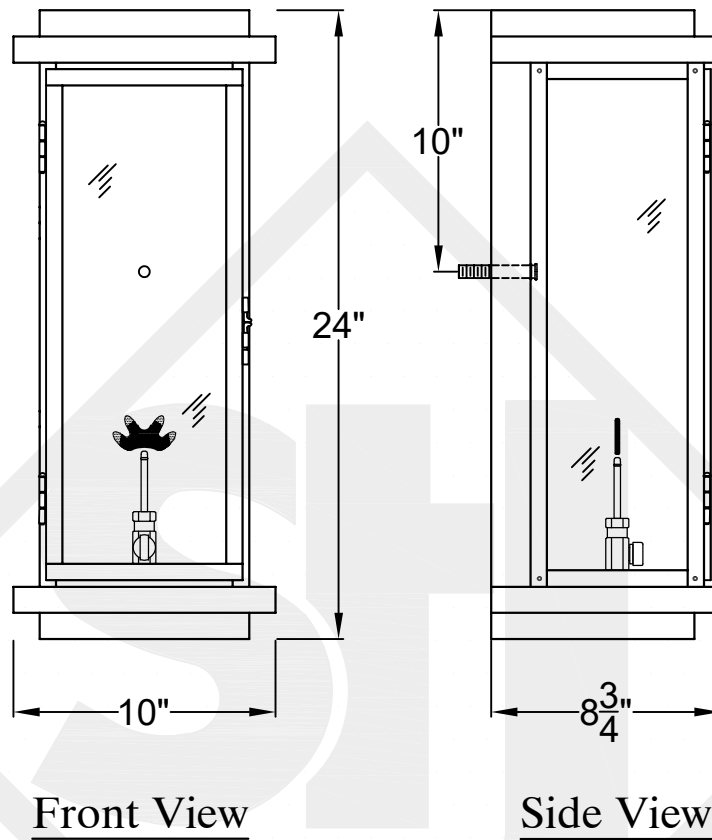
St. James
LIGHTING

SCALE: N.T.S.	DRAFT: T. Herring
FILE: WINS	APP'D: J. Ragan
JOB: X	DATE: 8-29-2023

Lights are handcrafted.
Dimensions may vary by 1/4"

B.T.U. Rating
Natural Gas: 2730 B.T.U.
Propane: 2080 B.T.U.

WINNIPEG MEDIUM COPPER WALL BRACKET



Backplate



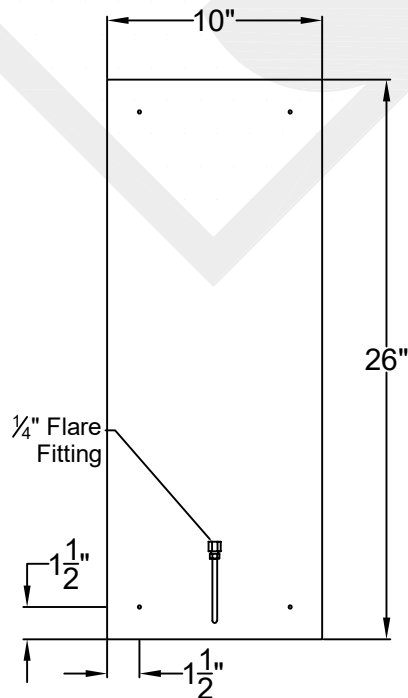
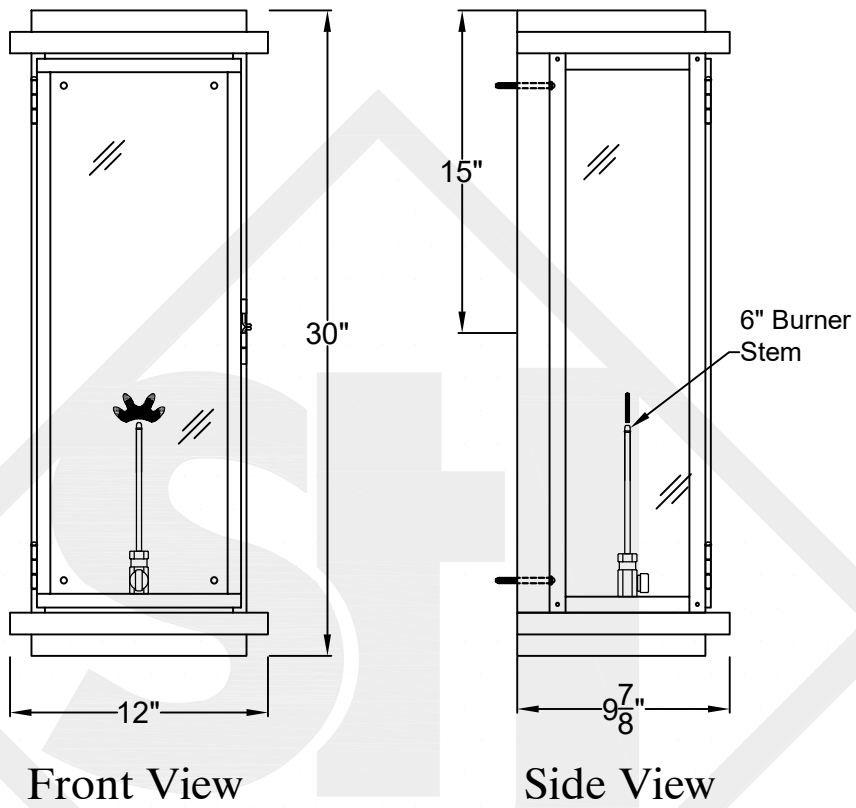
**St. James
LIGHTING**

SCALE: N.T.S.	DRAFT: T. Herring
FILE: WINM	APP'D: J. Ragan
JOB: X	DATE: 4-17-2023

Lights are handcrafted.
Dimensions may vary by 1/4"

B.T.U. Rating
Natural Gas: 2730 B.T.U.
Propane: 2080 B.T.U.

WINNIPEG LARGE COPPER WALL BRACKET



Backplate



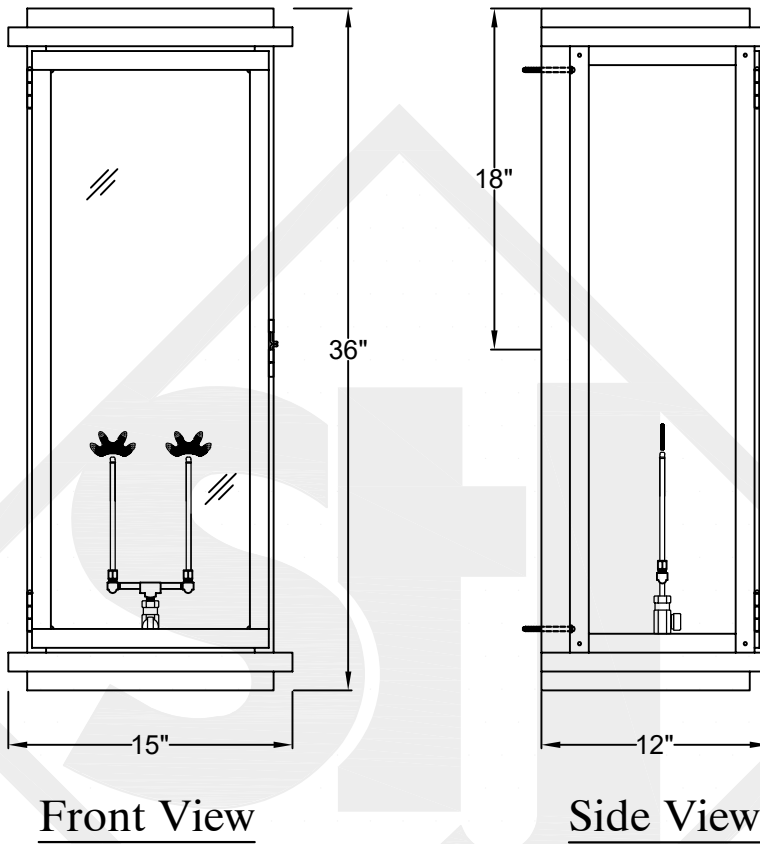
St. James
LIGHTING

SCALE: N.T.S.	DRAFT: Y. McCullough
FILE: WINL	APP'D: J. Ragan
JOB: X	DATE: 12/6/23

Lights are handcrafted.
Dimensions may vary by 1/4"

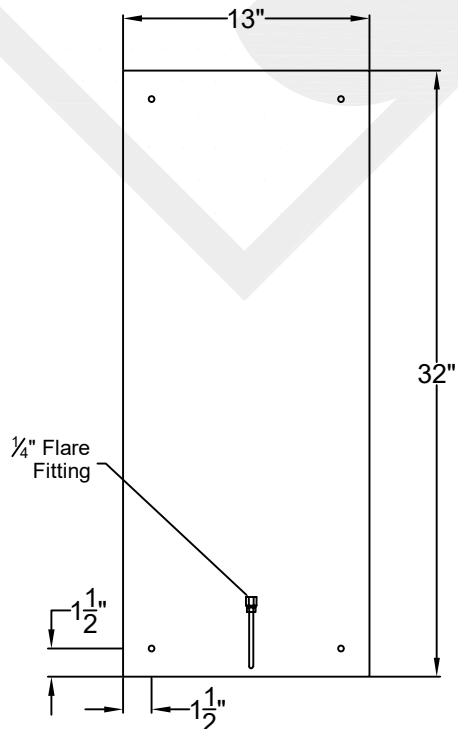
B.T.U. Rating
Natural Gas: 2730 B.T.U.
Propane: 2080 B.T.U.

WINNIPEG GRANDE COPPER WALL BRACKET



Front View

Side View



Backplate



**St. James
LIGHTING**

SCALE: N.T.S.	DRAFT: Y. McCullough
FILE: WING	APP'D: J. Ragan
JOB: X	DATE: 12/6/23

Lights are handcrafted.
Dimensions may vary by 1/4"

B.T.U. Rating
Natural Gas: 5460 B.T.U.
Propane: 4160 B.T.U.