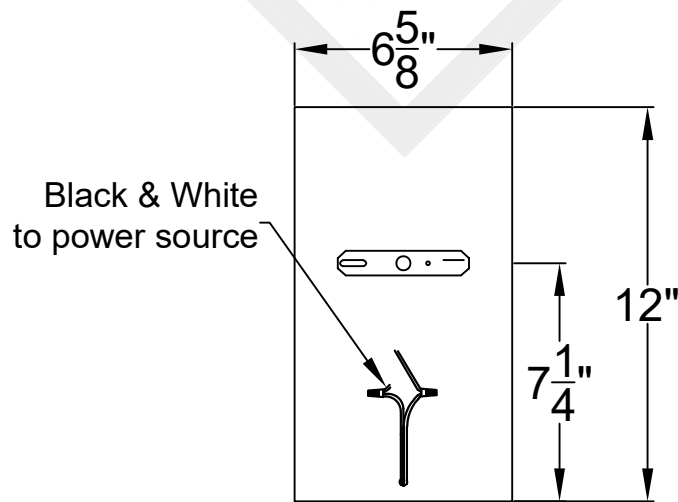
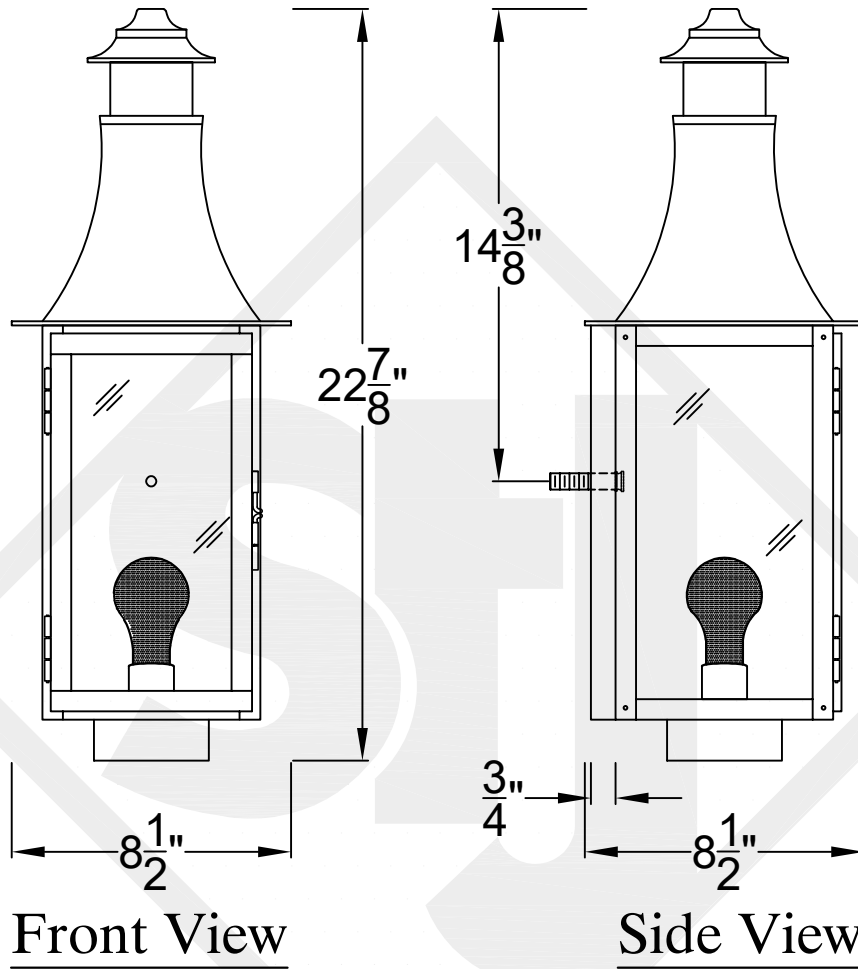


MADISON MINI COPPER WALL BRACKET



Backplate



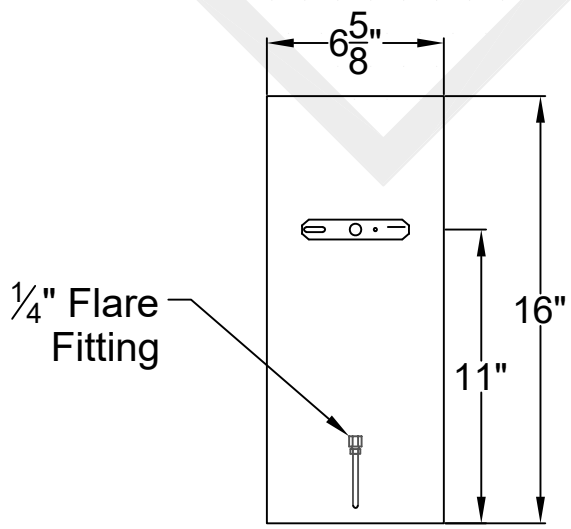
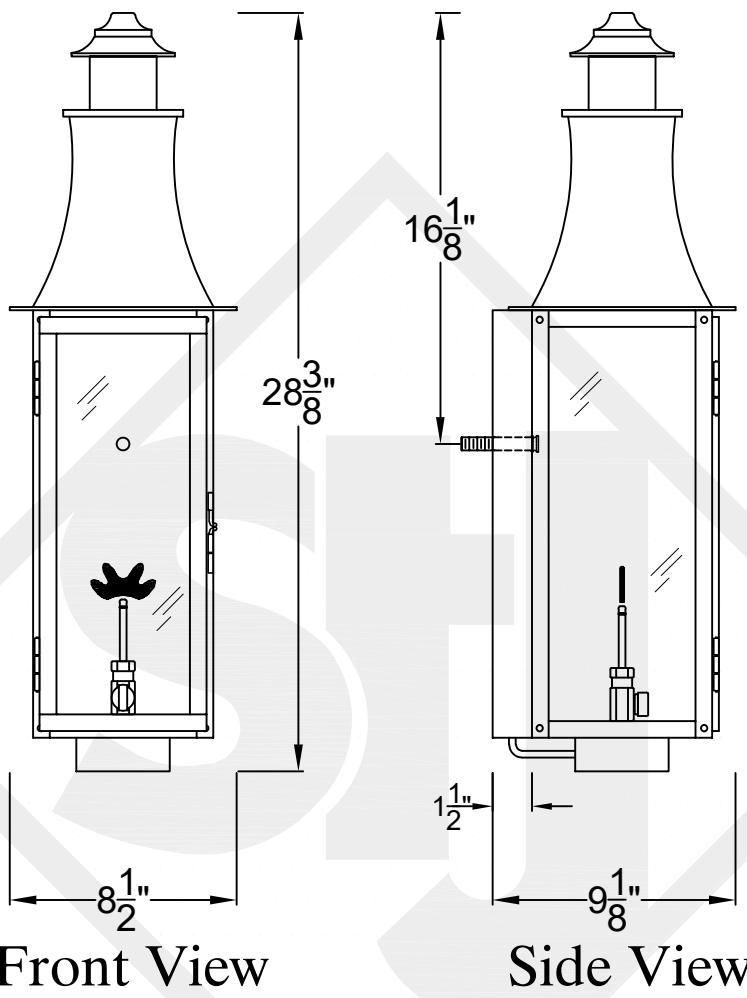
St. James
LIGHTING

SCALE: N.T.S. DRAFT: Y. McCullough
FILE: MADMINI APP'D: J. Ragan
JOB: X DATE: 11/21/23


Lights are handcrafted.
Dimensions may vary by 1/4"

Mini not Available in Gas
UL Certified
Candelabra- Max 60 Watt Bulb
Edison- Max 660 Watt Bulb

MADISON SMALL COPPER WALL BRACKET



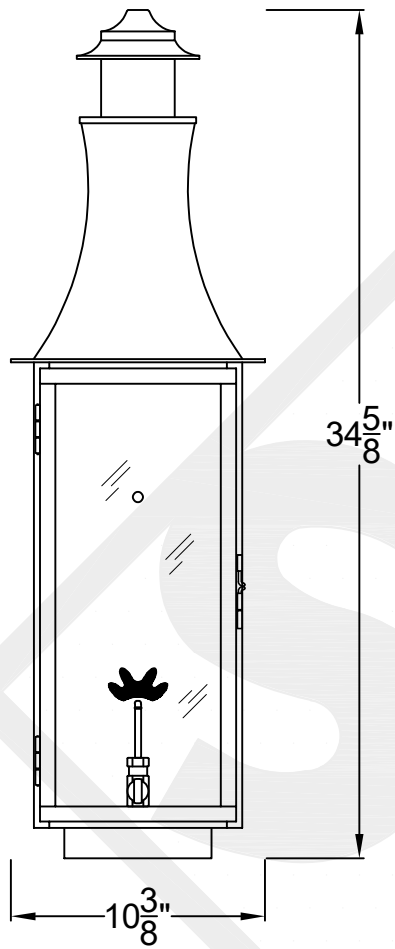
Backplate

 St. James LIGHTING	
SCALE: N.T.S.	DRAFT: Y. McCullough
FILE: MADS	APP'D: J. Ragan
JOB: X	DATE: 11/21/23

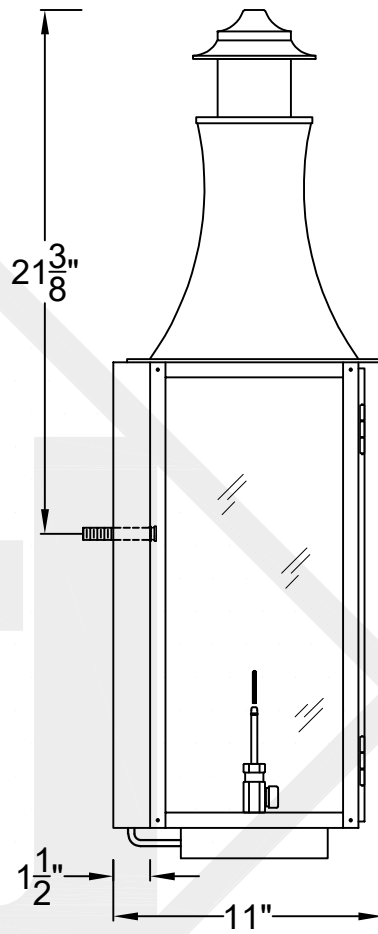
Lights are handcrafted.
Dimensions may vary by 1/4"

B.T.U. Rating
Natural Gas: 2730 B.T.U.
Propane: 2080 B.T.U.

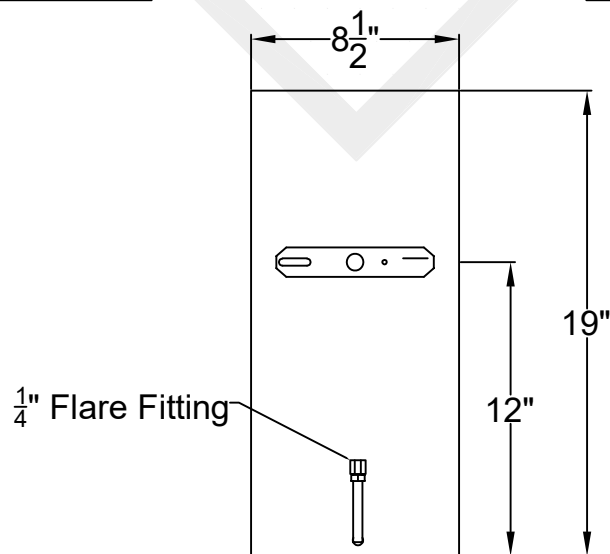
MADISON MEDIUM COPPER WALL BRACKET



Front View



Side View



Backplate



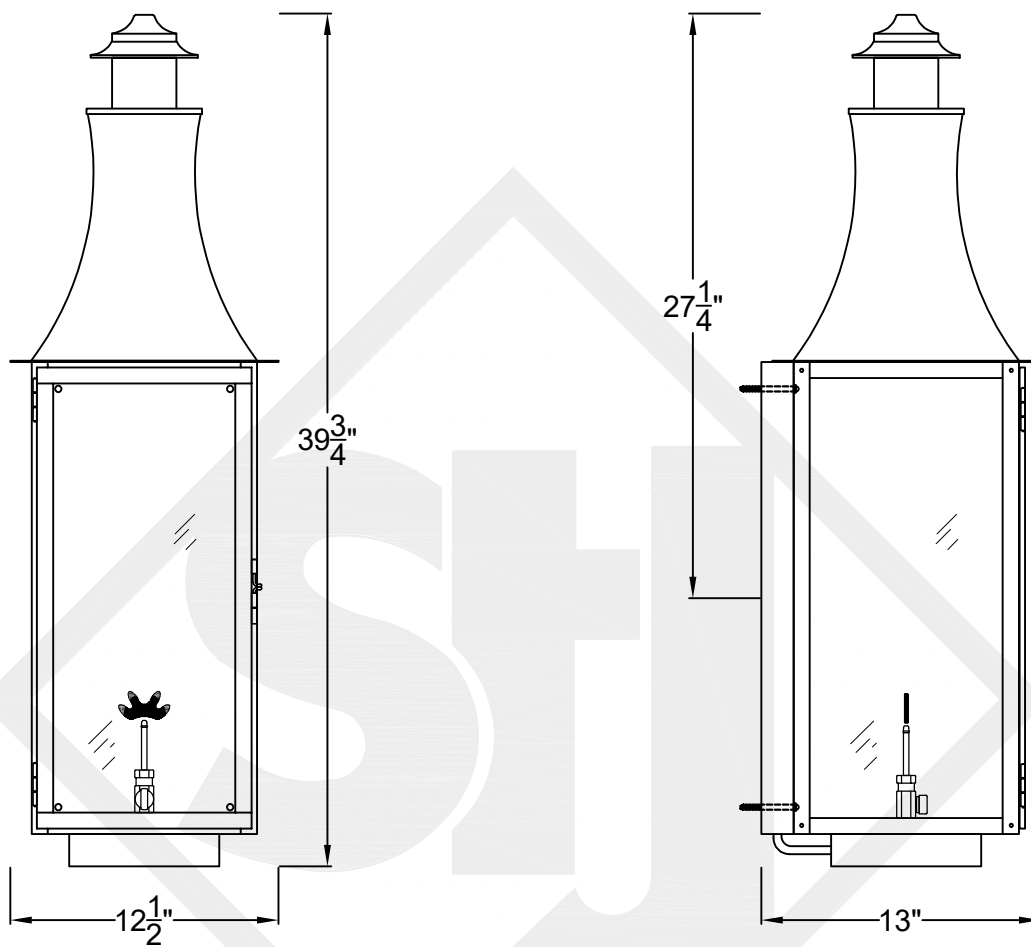
St. James
LIGHTING

SCALE: N.T.S.	DRAFT: T. Herring
FILE: MADM	APP'D: J. Ragan
JOB: X	DATE: 3-16-2023

Lights are handcrafted.
Dimensions may vary by 1/4"

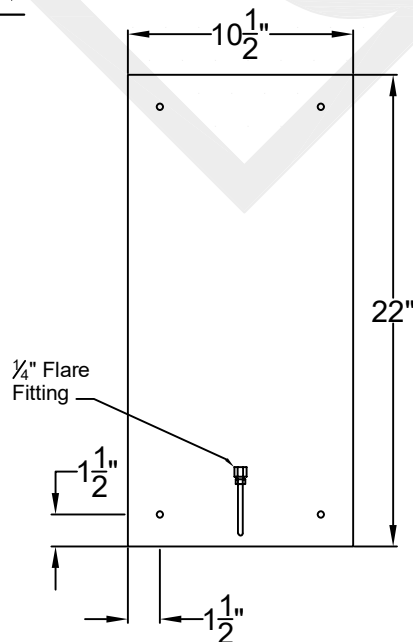
B.T.U. Rating
Natural Gas: 2730 B.T.U.
Propane: 2080 B.T.U.

MADISON LARGE COPPER WALL BRACKET



Front View

Side View



Backplate



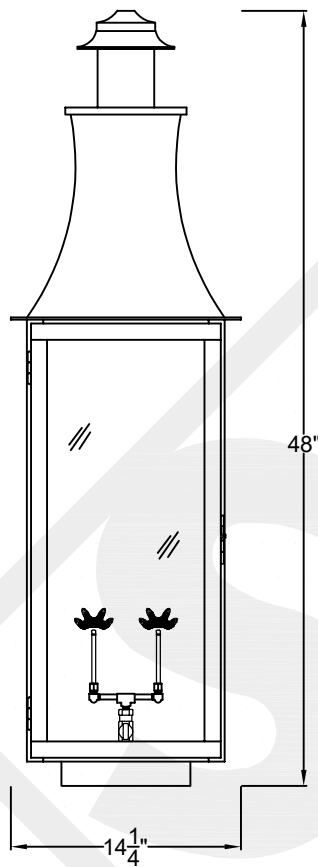
St. James
LIGHTING

SCALE: N.T.S.	DRAFT: Y. McCullough
FILE: MADL	APP'D: J. Ragan
JOB: X	DATE: 12/6/23

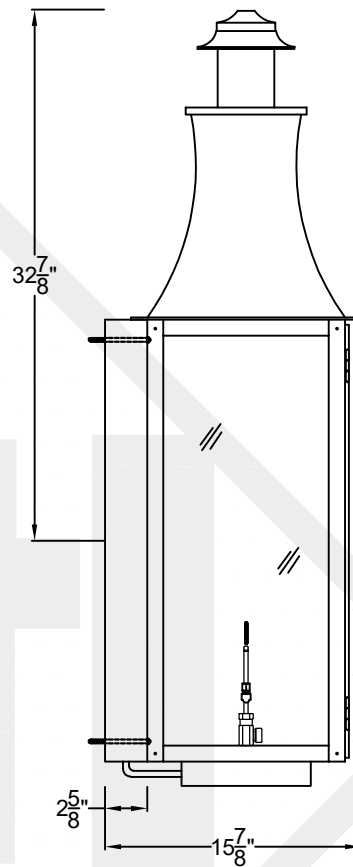
Lights are handcrafted.
Dimensions may vary by 1/4"

B.T.U. Rating
Natural Gas: 2730 B.T.U.
Propane: 2080 B.T.U.

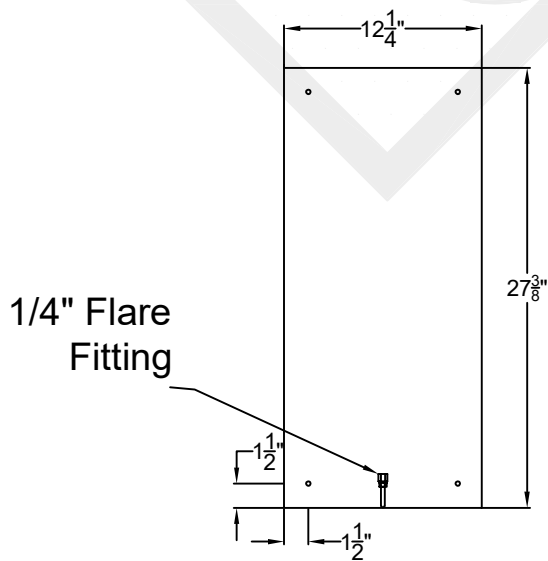
MADISON GRANDE COPPER WALL BRACKET



Front View



Side View



Backplate



**St. James
LIGHTING**

SCALE: N.T.S.	DRAFT: Y. McCullough
FILE: MADG	APP'D: J. Ragan
JOB: X	DATE: 12/6/23

Lights are handcrafted.
Dimensions may vary by 1/4"

B.T.U. Rating
Natural Gas: 5460 B.T.U.
Propane: 4160 B.T.U.