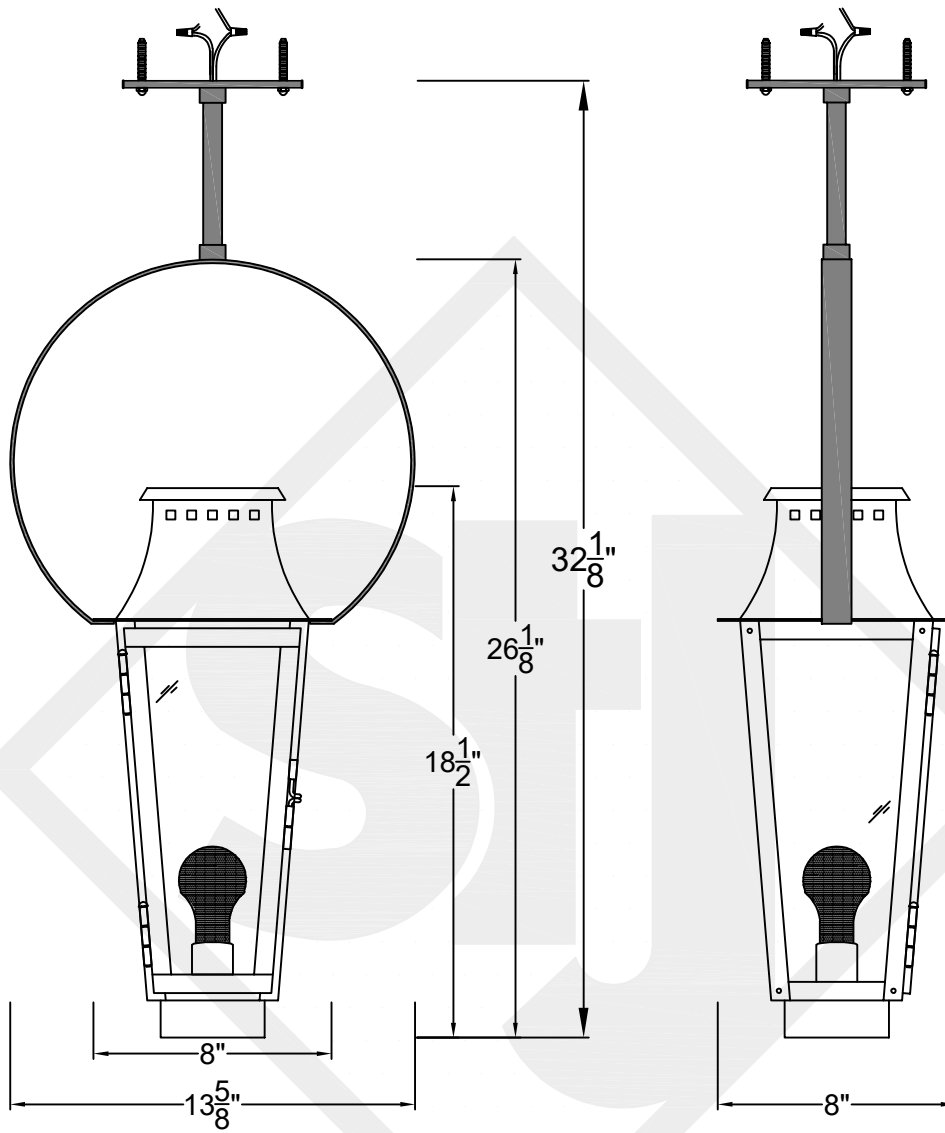


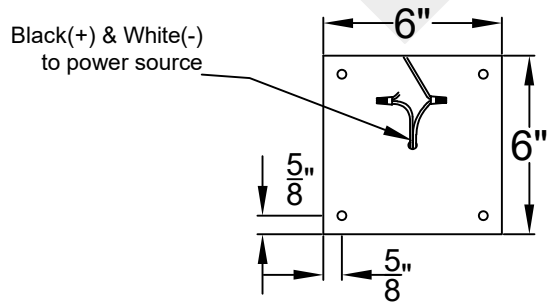
WOOD DALE MINI CEILING MOUNT HALF YOKE

Shortest Height 28-3/8"



Front View

Side View



Ceiling Mount



**St. James
LIGHTING**

SCALE: N.T.S.	DRAFT: J. Grippo
FILE: WOOMINI	APP'D: J. Ragan
JOB: X	DATE: 11-15-2023

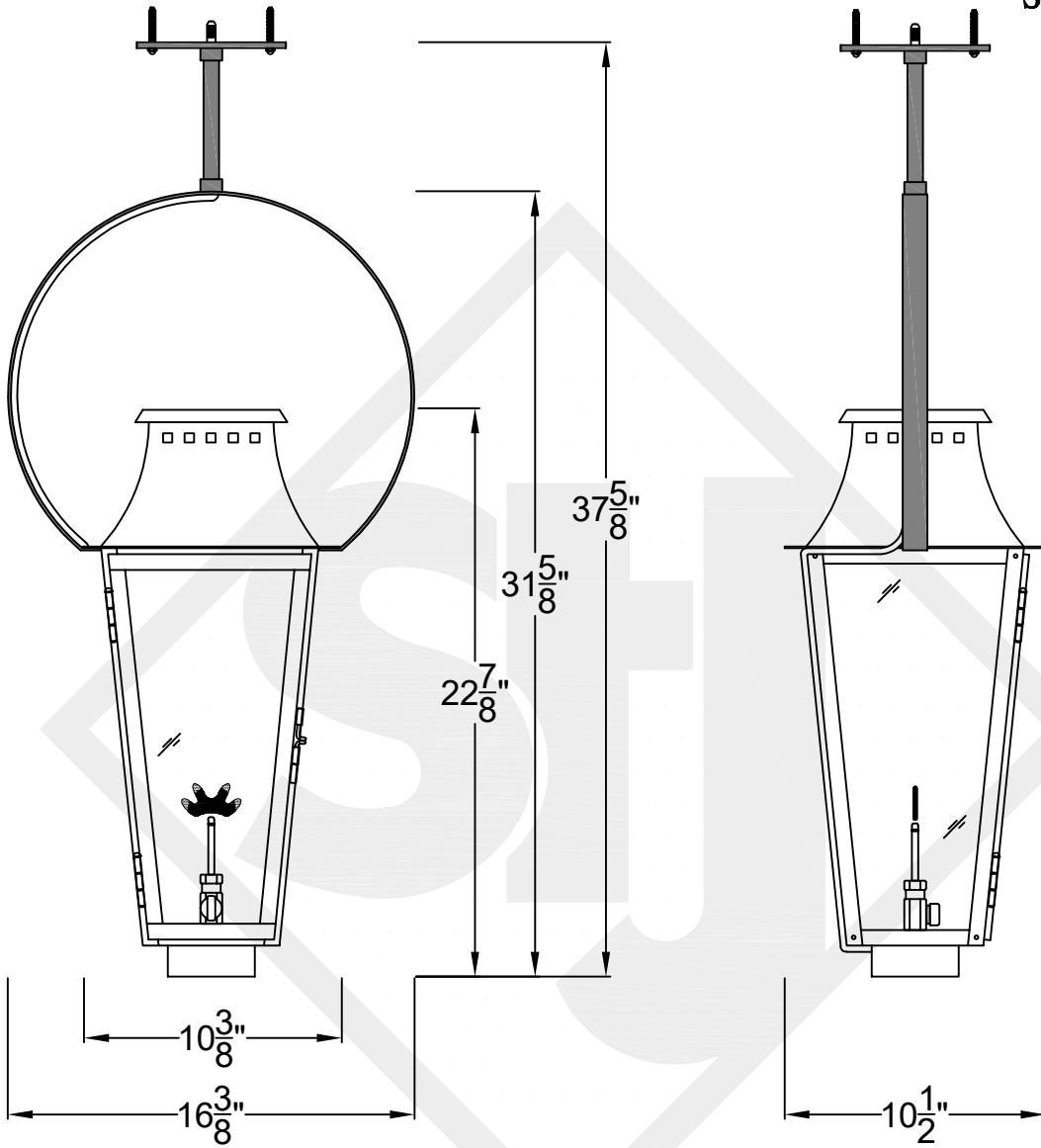
Lights are handcrafted.
Dimensions may vary by 1/4"

UL Certified
Candelabra- Max 60 Watt Bulb
Edison- Max 660 Watt Bulb

Mini not Available in Gas

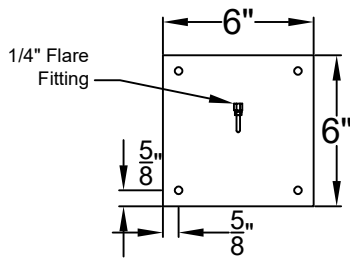
WOOD DALE SMALL CEILING MOUNT HALF YOKE

Shortest Height $34\frac{3}{8}"$



Front View

Side View



Backplate



St. James
LIGHTING

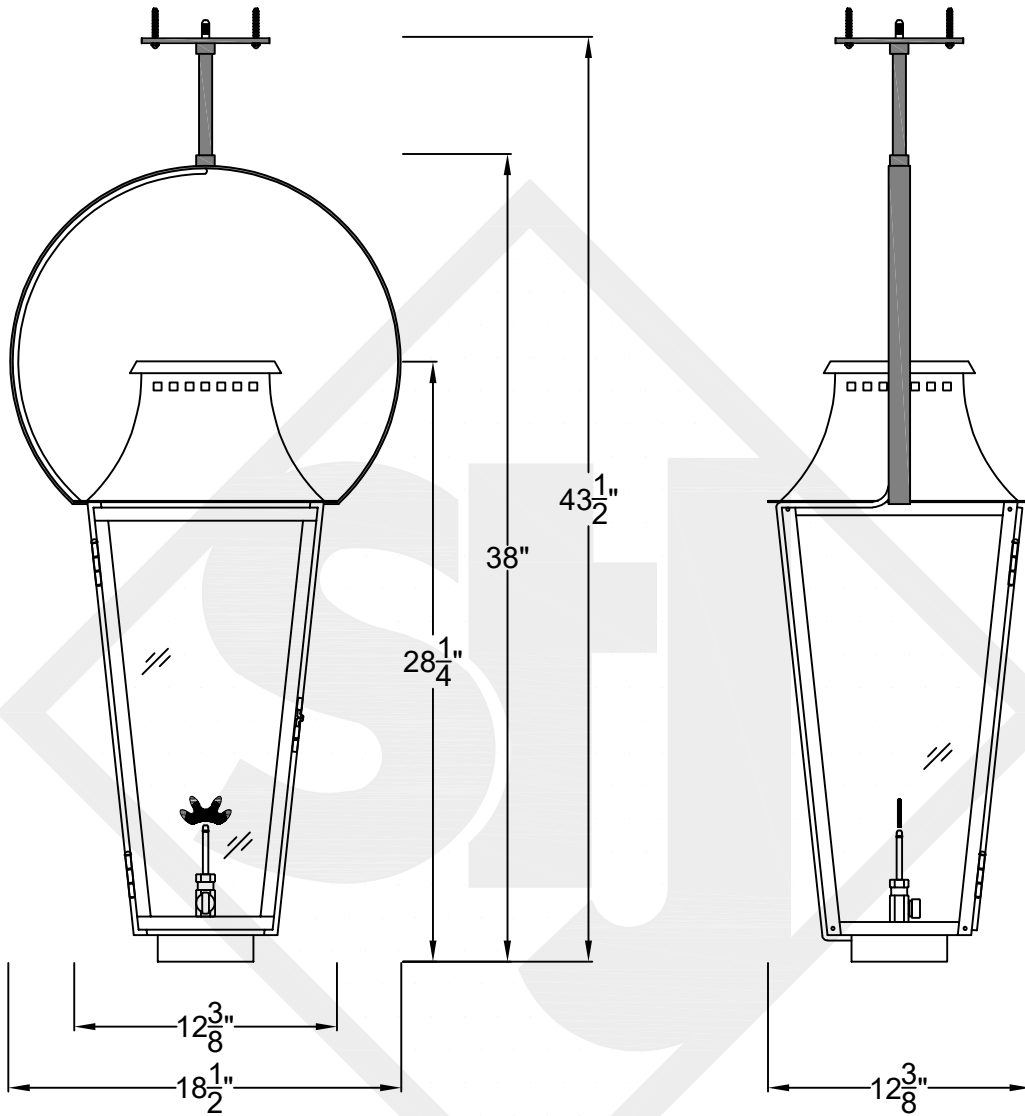
SCALE: N.T.S.	DRAFT: Y. McCullough
FILE: WOOS	APP'D: J. Ragan
JOB: X	DATE: 12/14/23

Lights are handcrafted.
Dimensions may vary by 1/4"

B.T.U. Rating
Natural Gas: 2730 B.T.U.
Propane: 2080 B.T.U.

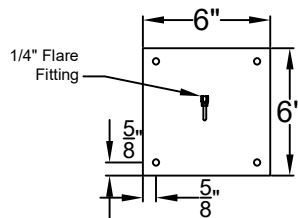
WOOD DALE MEDIUM CEILING MOUNT HALF YOKE

Shortest Height $39\frac{3}{4}$ "



Front View

Side View



Ceiling Mount



St. James
LIGHTING

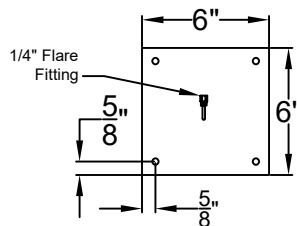
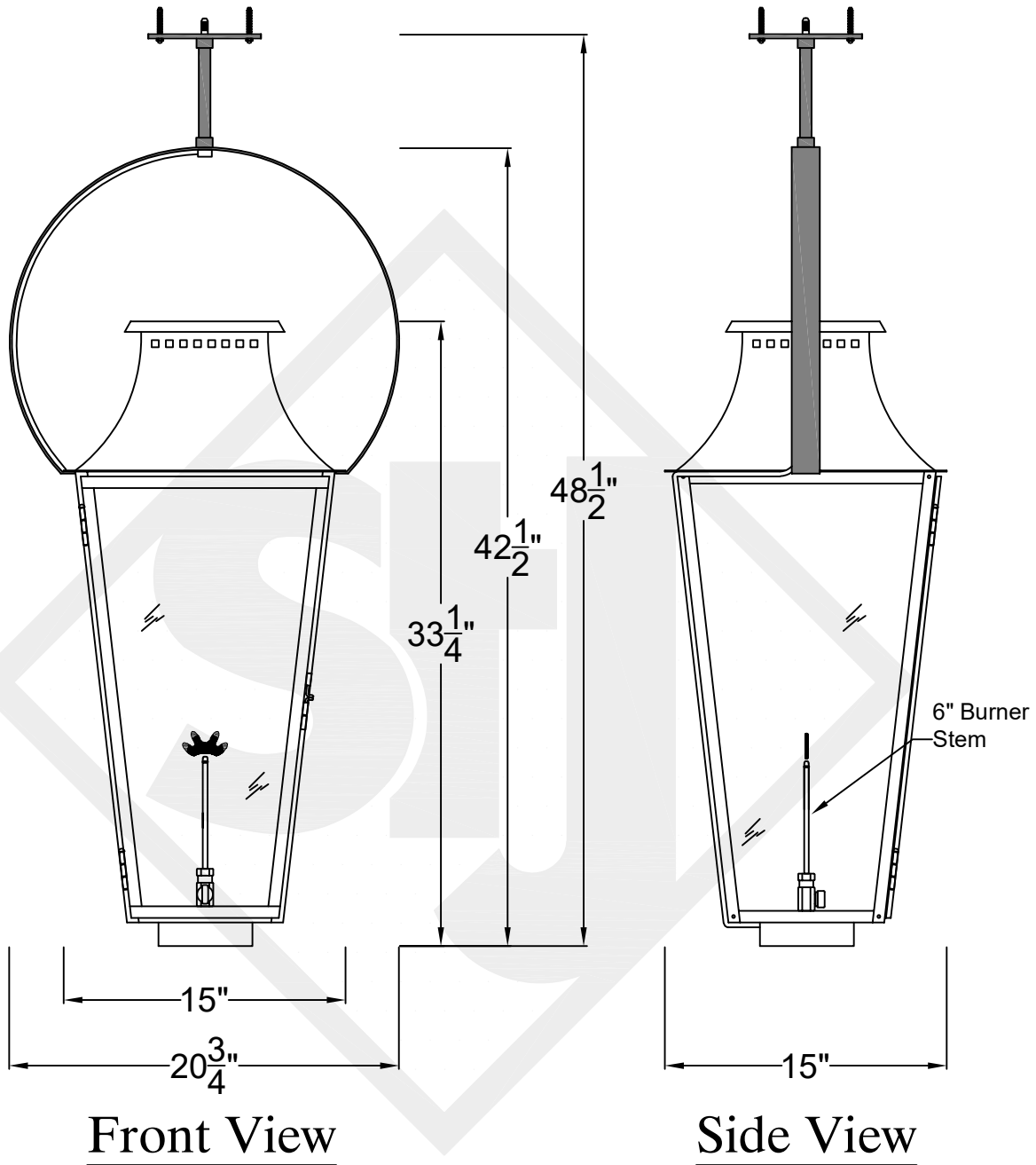
SCALE: N.T.S.	DRAFT: T. Herring
FILE: WOOM	APP'D: J. Ragan
JOB: X	DATE: 8-29-2023

Lights are handcrafted.
Dimensions may vary by 1/4"

B.T.U. Rating
Natural Gas: 2730 B.T.U.
Propane: 2080 B.T.U.

WOOD DALE LARGE CEILING MOUNT HALF YOKE

Shortest Height $44\frac{3}{4}$ "



Ceiling Mount



St. James
LIGHTING

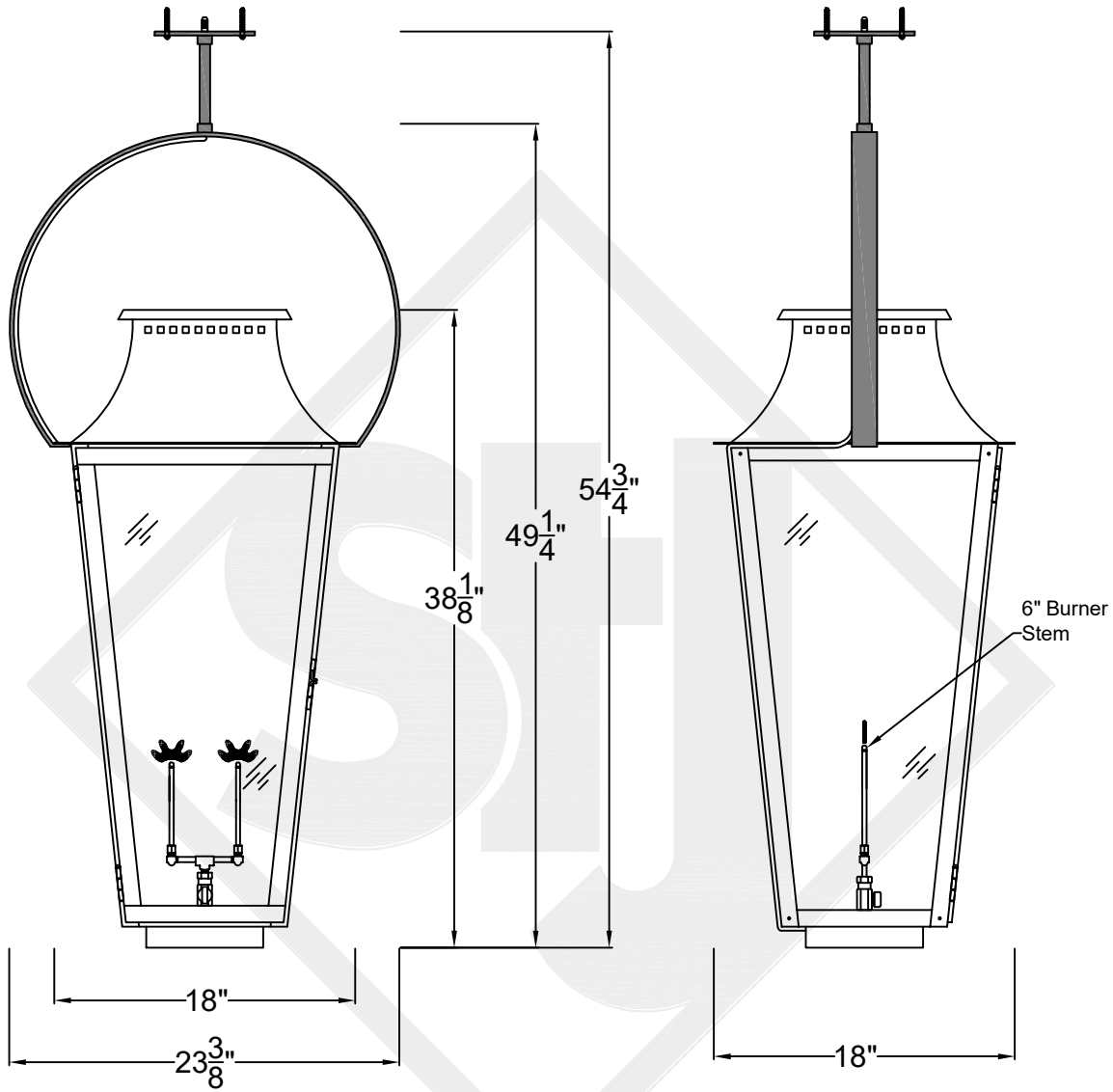
SCALE: N.T.S.	DRAFT: M. Buckley
FILE: WOOL	APP'D: J. Ragan
JOB: X	DATE: 3/22/24

Lights are handcrafted.
Dimensions may vary by 1/4"

B.T.U. Rating
Natural Gas: 2730 B.T.U.
Propane: 2080 B.T.U.

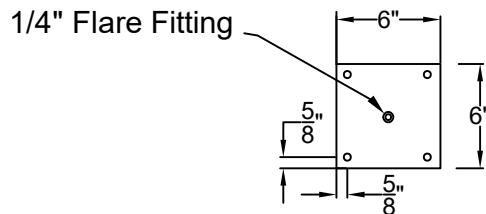
WOOD DALE GRANDE CEILING MOUNT HALF YOKE

Shortest Height 51"



Front View

Side View



Ceiling Mount



**St. James
LIGHTING**

SCALE: N.T.S.	DRAFT: Y. McCullough
FILE: WOOG	APP'D: J. Ragan
JOB: X	DATE: 12/14/23

Lights are handcrafted.
Dimensions may vary by 1/4"

B.T.U. Rating
Natural Gas: 5460 B.T.U.
Propane: 4160 B.T.U.