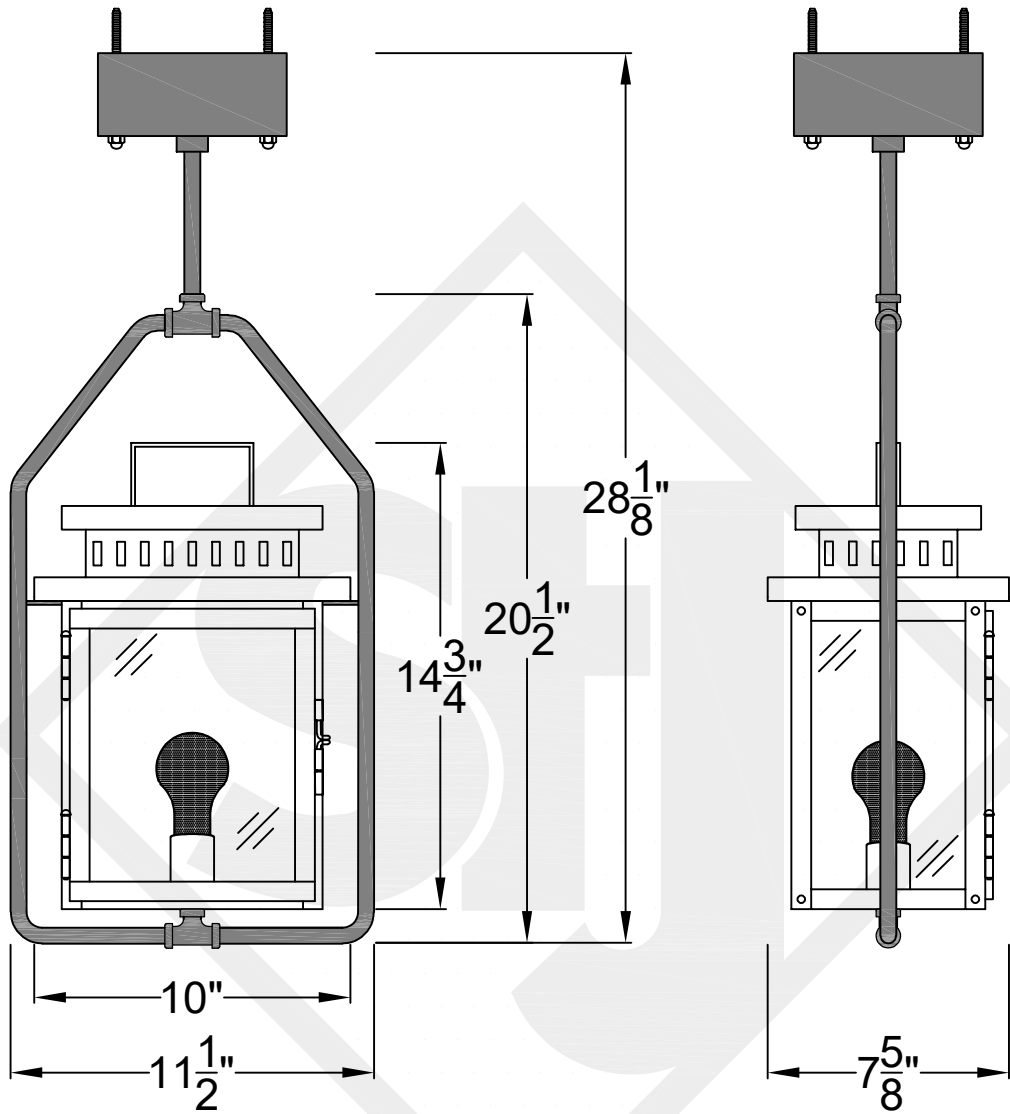


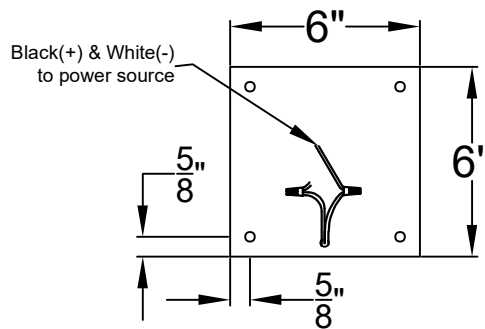
# HARPER MINI CEILING MOUNT FULL YOKE

Shortest Height: 21 <sup>1</sup>/<sub>2</sub>"



Front View

Side View



Ceiling Mount



St. James  
LIGHTING

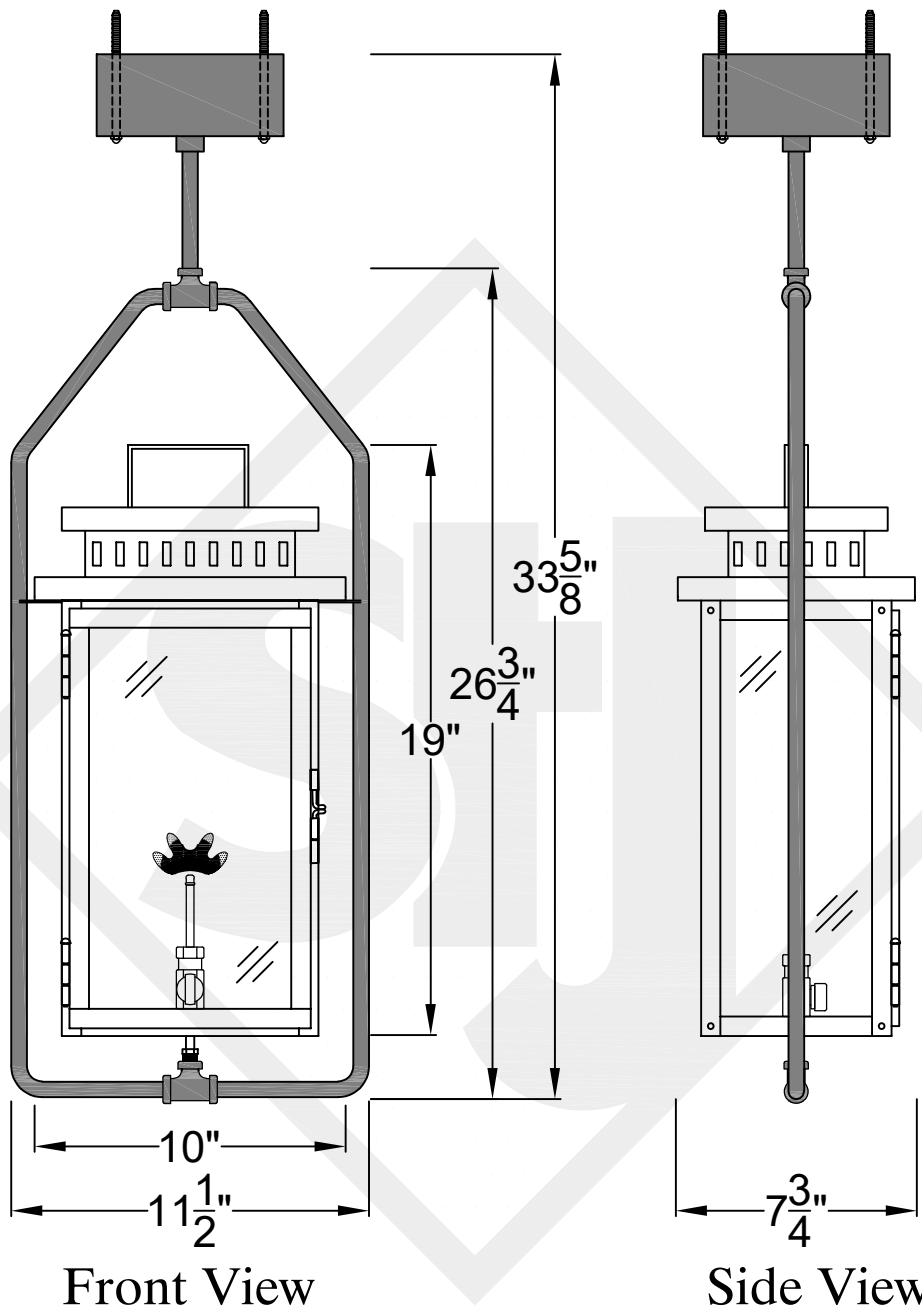
SCALE: N.T.S.	DRAFT: Y. McCullough
FILE: HARMINI	APP'D: J. Ragan
JOB: X	DATE: 12/11/23

Lights are handcrafted.  
Dimensions may vary by 1/4"

UL Certified  
Candelabra- Max 60 Watt Bulb  
Edison- Max 660 Watt Bulb

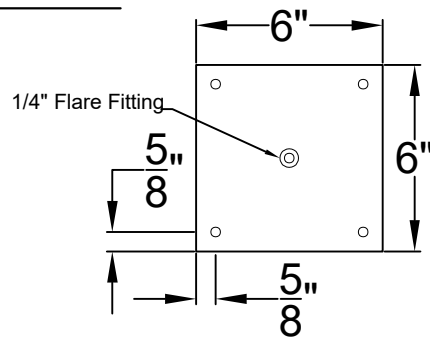
# HARPER SMALL CEILING MOUNT FULL YOKE

Shortest Height 30  $\frac{7}{8}$ "



Front View

Side View



Backplate



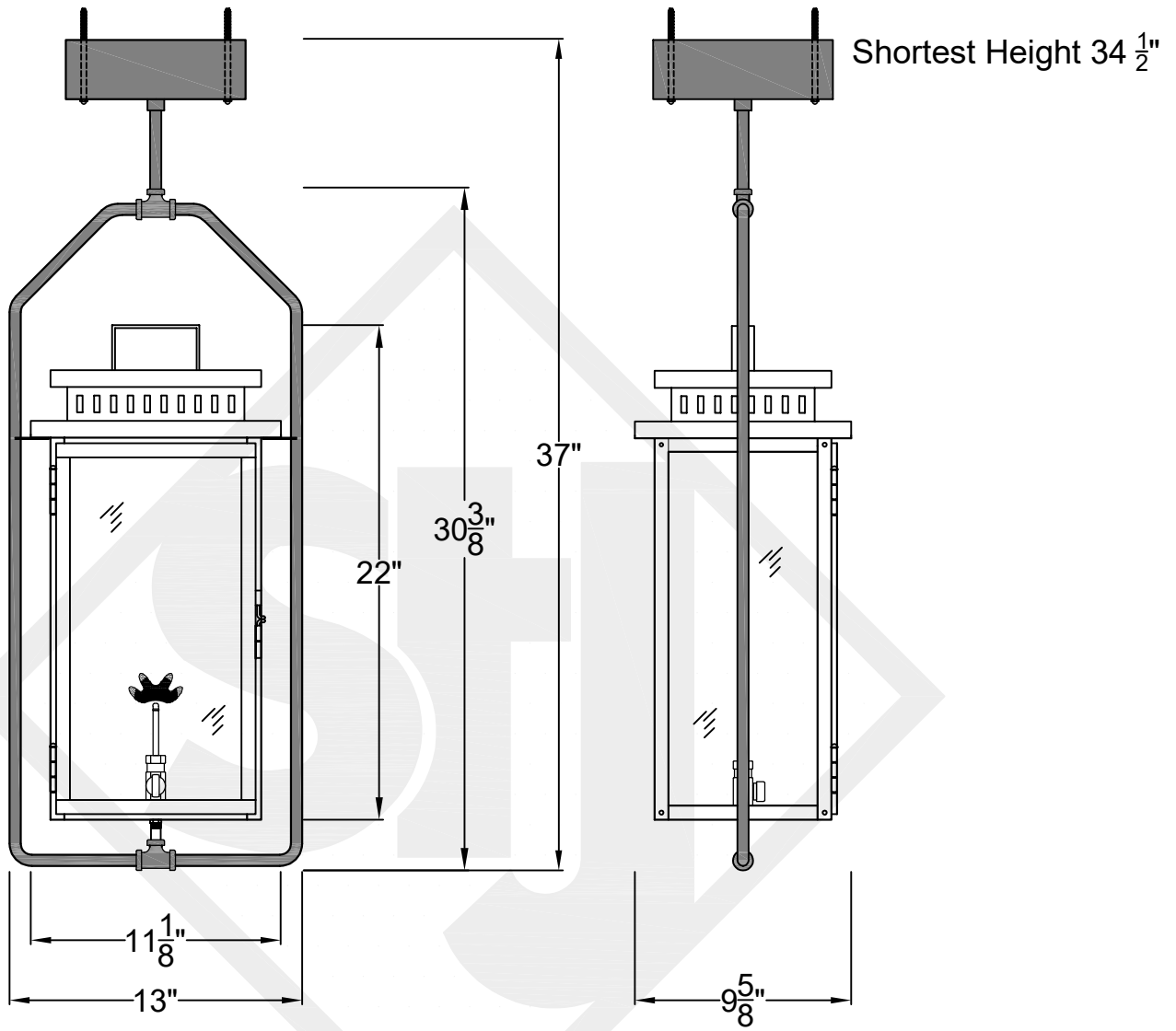
**St. James  
LIGHTING**

SCALE: N.T.S.	DRAFT: T. Herring
FILE: HARS	APP'D: J. Ragan
JOB: X	DATE: 7-27-2023

Lights are handcrafted.  
Dimensions may vary by 1/4"

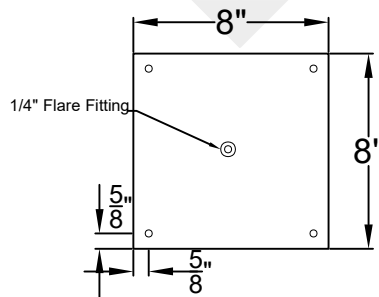
B.T.U. Rating  
Natural Gas: 2730 B.T.U.  
Propane: 2080 B.T.U.

# HARPER MEDIUM CEILING MOUNT FULL YOKE



Front View

Side View



Ceiling Mount



St. James  
LIGHTING

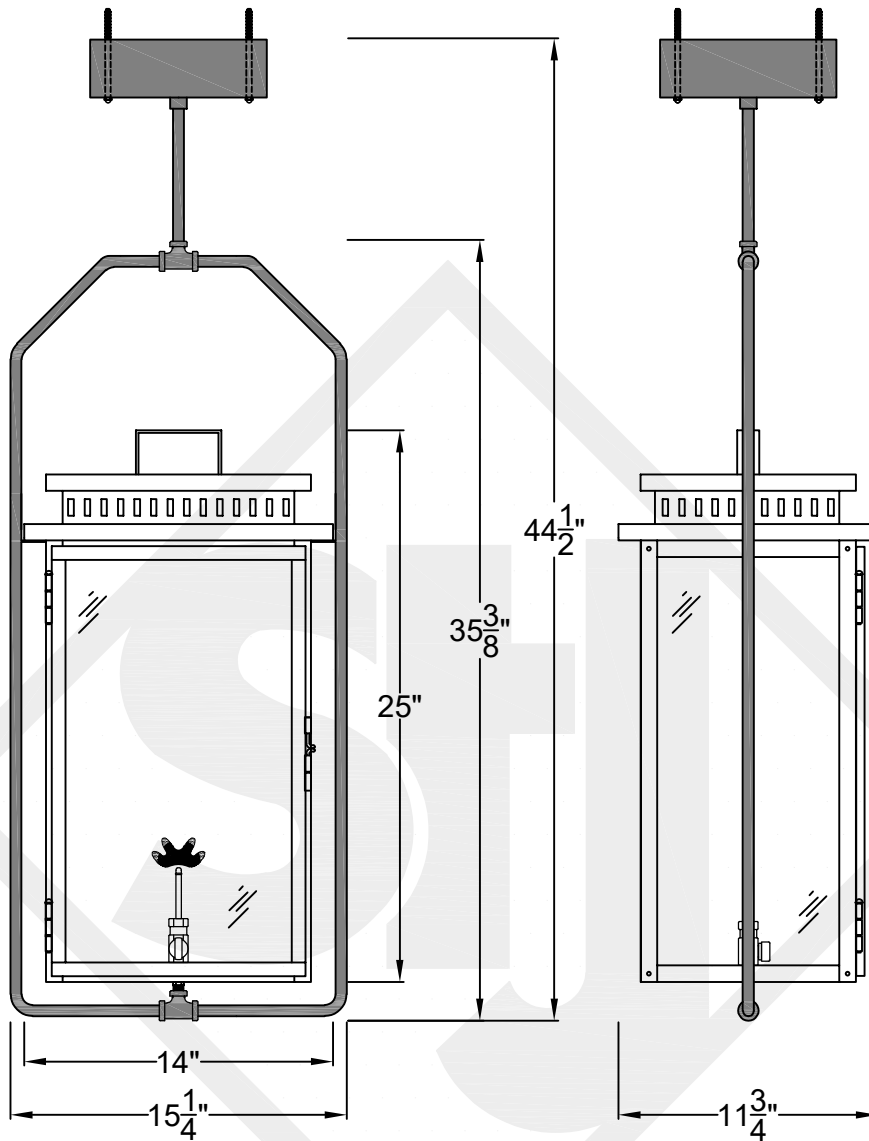
SCALE: N.T.S.	DRAFT: Y. McCullough
FILE: HARM	APP'D: J. Ragan
JOB: X	DATE: 12/11/23

Lights are handcrafted.  
Dimensions may vary by 1/4"

B.T.U. Rating  
Natural Gas: 2730 B.T.U.  
Propane: 2080 B.T.U.

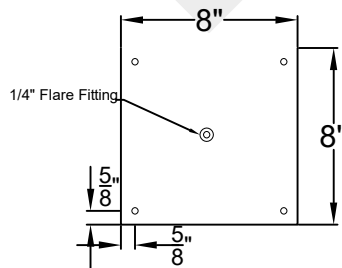
# HARPER LARGE CEILING MOUNT FULL YOKE

Shortest Height 39  $\frac{1}{2}$ "



Front View

Side View



Ceiling Mount



St. James  
LIGHTING

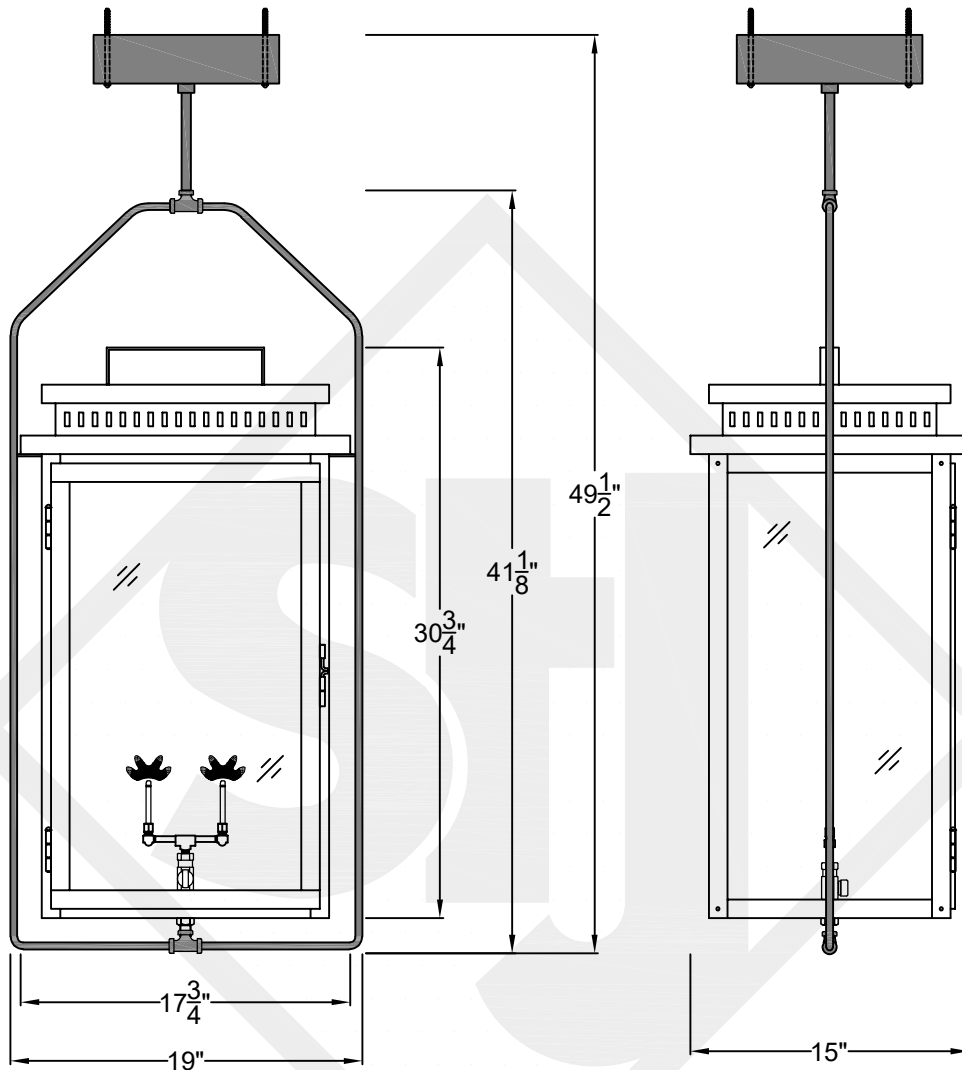
SCALE: N.T.S.	DRAFT: Y. McCullough
FILE: HARL	APP'D: J. Ragan
JOB: X	DATE: 12/11/23

Lights are handcrafted.  
Dimensions may vary by 1/4"

B.T.U. Rating  
Natural Gas: 2730 B.T.U.  
Propane: 2080 B.T.U.

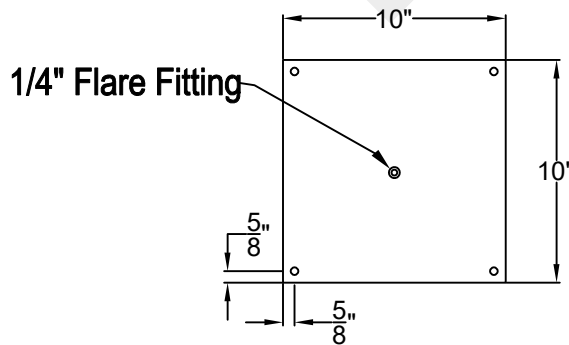
# HARPER GRANDE CEILING MOUNT FULL YOKE

Shortest Height 45  $\frac{1}{4}$ "



Front View

Side View



Ceiling Mount



St. James  
LIGHTING

SCALE: N.T.S.	DRAFT: Y. McCullough
FILE: HARG	APP'D: J. Ragan
JOB: X	DATE: 12/11/23

Lights are handcrafted.  
Dimensions may vary by 1/4"

B.T.U. Rating  
Natural Gas: 5460 B.T.U.  
Propane: 4160 B.T.U.