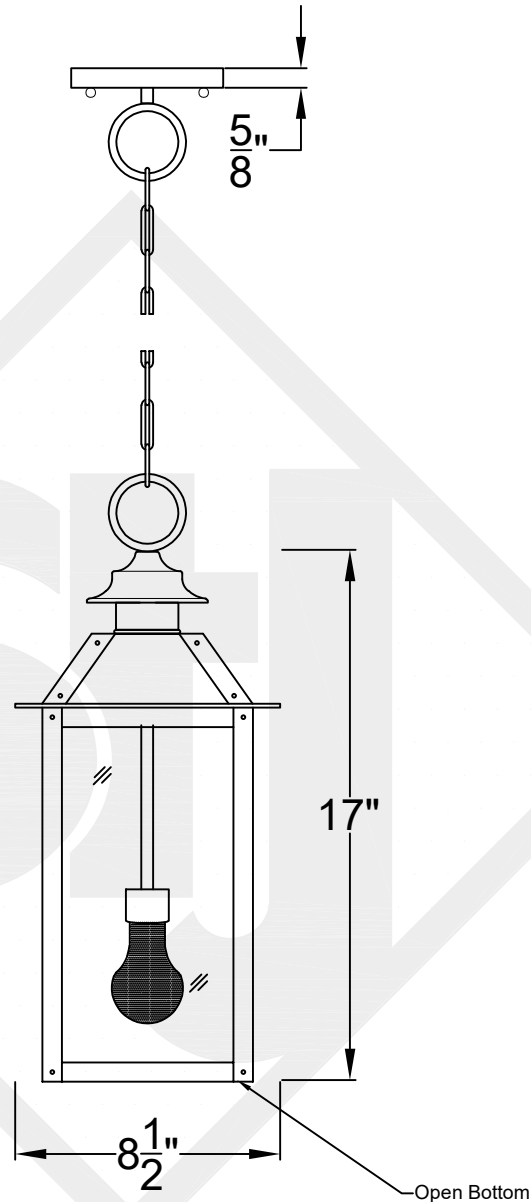
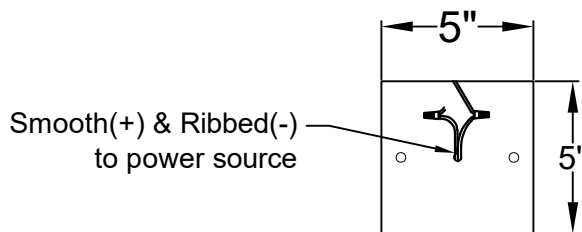


SWEET WATER MINI CHAIN HUNG PENDANT

Available w/ Solid
or Glass Top



Front View



Ceiling Mount



St. James
LIGHTING

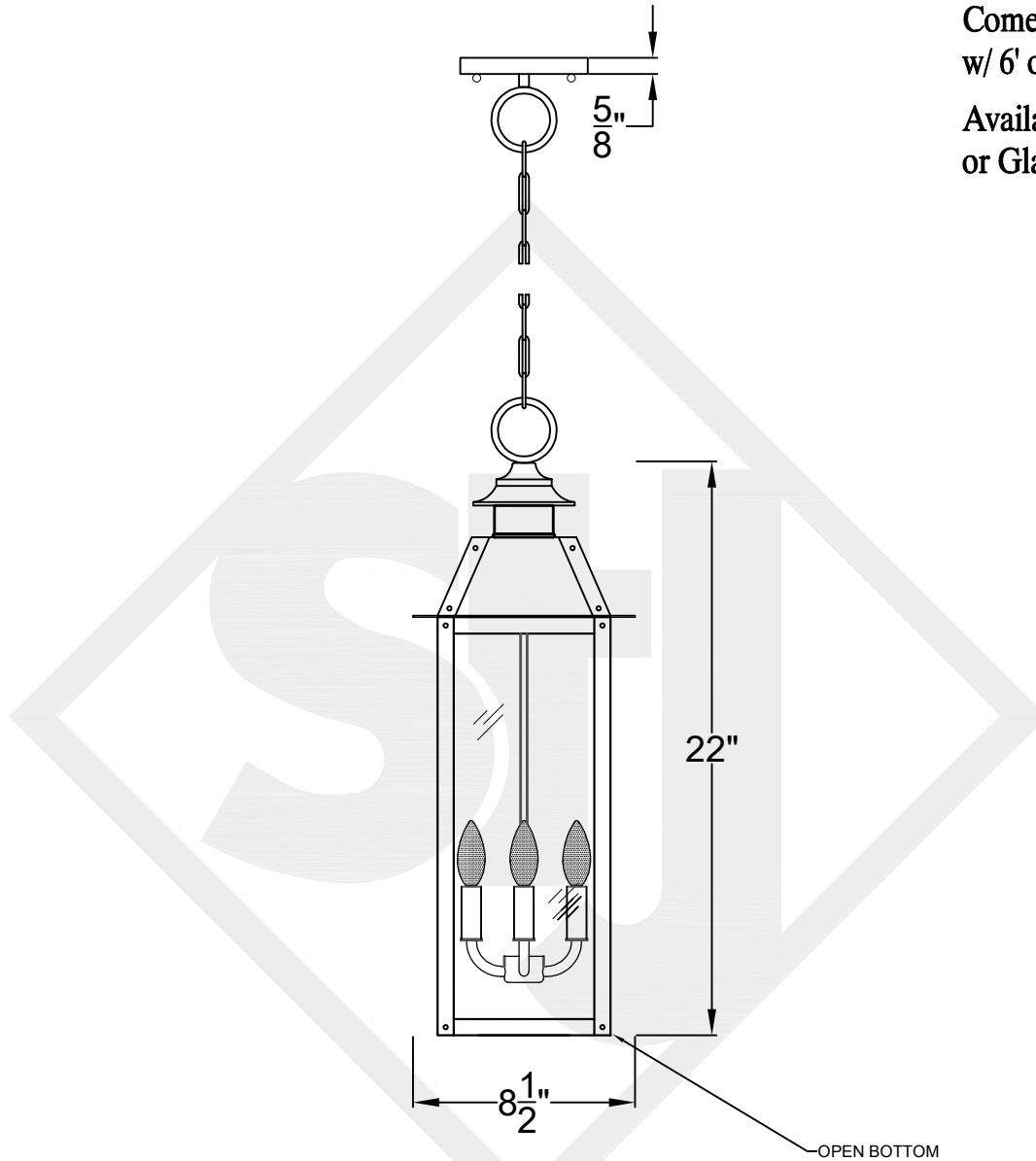
SCALE: N.T.S.	DRAFT: Y. McCullough
FILE: SWEMINI	APP'D: J. Ragan
JOB: X	DATE: 12/6/23

Lights are handcrafted.
Dimensions may vary by 1/4"

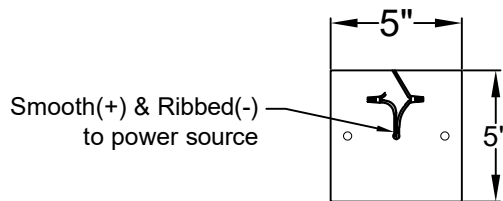
UL Certified
Candelabra- Max 60 Watt Bulb
Edison- Max 660 Watt Bulb

SWEET WATER SMALL CHAIN HANG PENDANT

Comes standard
w/ 6' of chain
Available w/ Solid
or Glass Top



Front View



Ceiling Canopy



St. James
LIGHTING

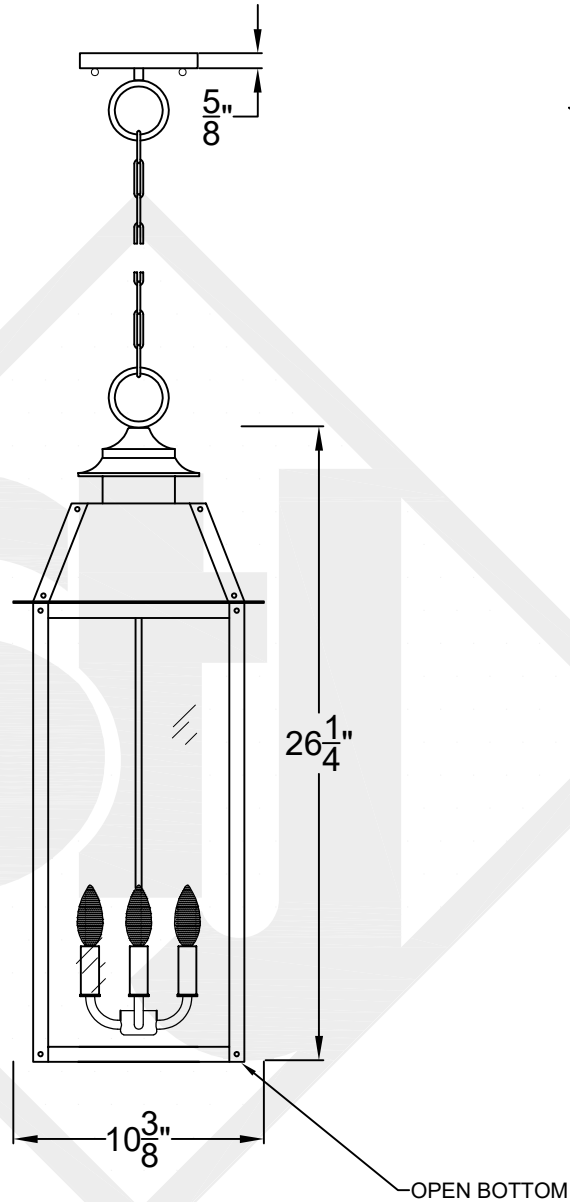
SCALE: N.T.S.	DRAFT: Y. McCullough
FILE: SARMINI	APP'D: J. Ragan
JOB: X	DATE: 12/6/23

Lights are handcrafted.
Dimensions may vary by 1/4"

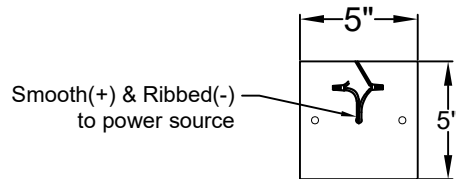
UL Certified
Candelabra- Max 60 Watt Bulb
Edison- Max 660 Watt Bulb

SWEET WATER MEDIUM CHAIN HANG PENDANT

Comes standard
w/ 6' of chain



Front View



Ceiling Canopy



St. James
LIGHTING

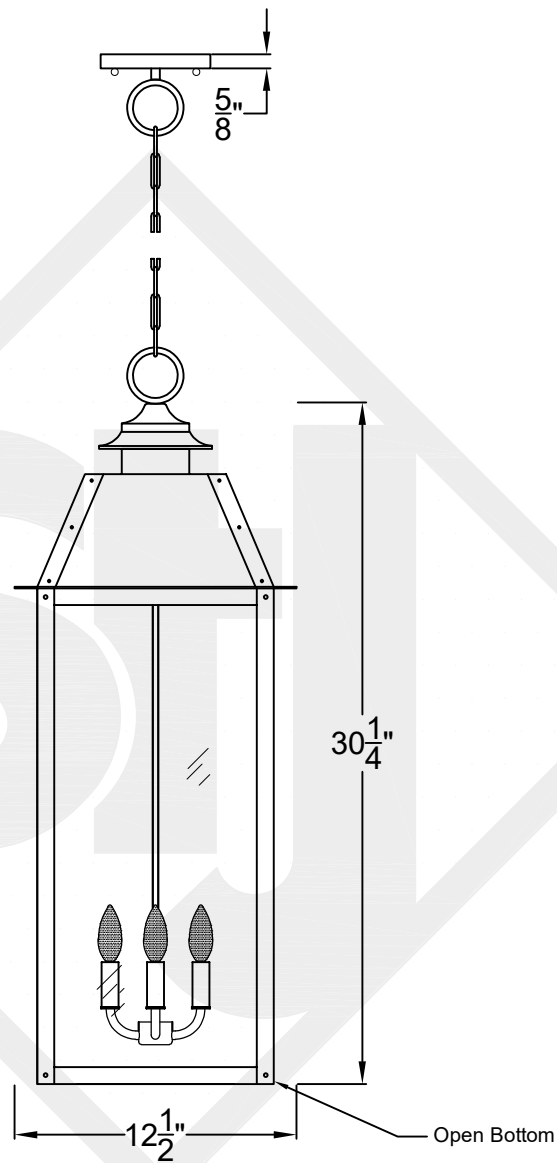
SCALE: N.T.S.	DRAFT: T. Herring
FILE: SWEM	APP'D: J. Ragan
JOB: X	DATE: 3-24-2023

Lights are handcrafted.
Dimensions may vary by 1/4"

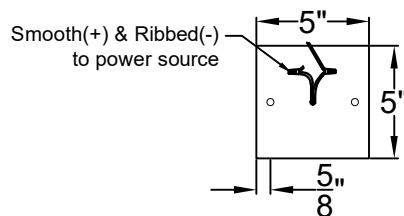
B.T.U. Rating
Natural Gas: 2730 B.T.U.
Propane: 2080 B.T.U.

SWEET WATER LARGE CHAIN HUNG PENDANT

Available w/ Solid
or Glass Top
Comes standard
w/ 6' of chain



Front View



Ceiling Mount



St. James
LIGHTING

SCALE: N.T.S.	DRAFT: T. Herring
FILE: SWEL	APP'D: J. Ragan
JOB: X	DATE: 3-22-2023

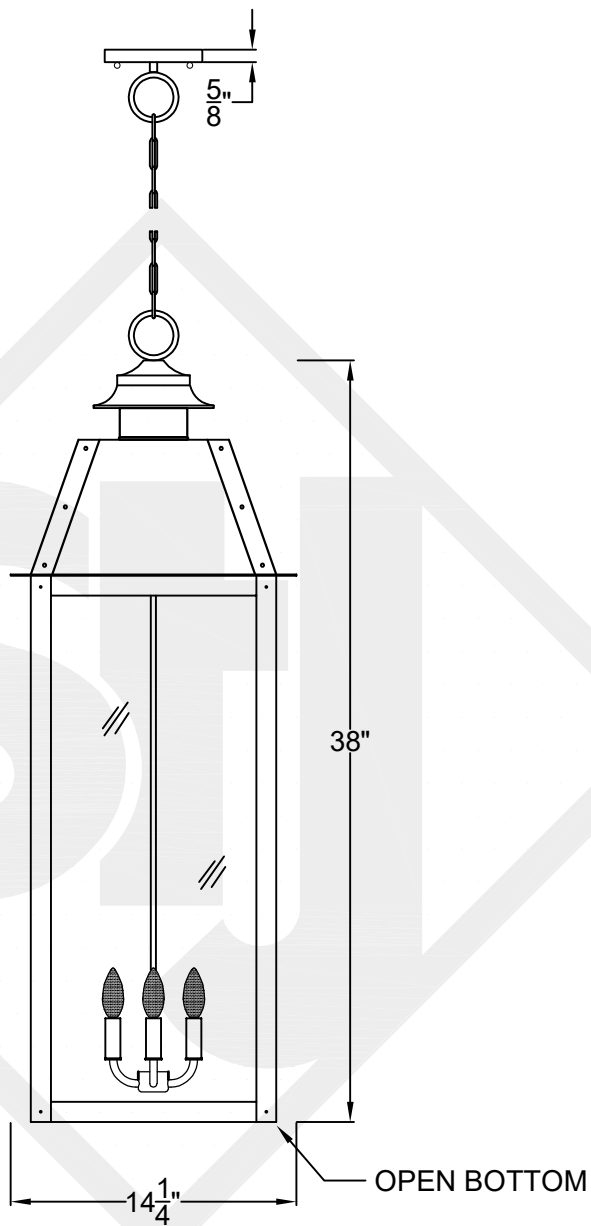
Lights are handcrafted.
Dimensions may vary by 1/4"

B.T.U. Rating
Natural Gas: 2730 B.T.U.
Propane: 2080 B.T.U.

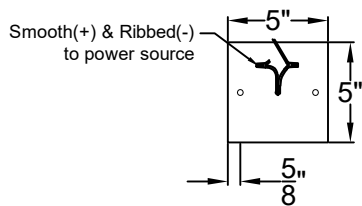
SWEET WATER GRANDE CHAIN HUNG PENDANT

Available w/ Solid
or Glass Top

Comes standard
w/ 6' of chain



Front View



Ceiling Mount



St. James
LIGHTING

SCALE: N.T.S.	DRAFT: Y. McCullough
FILE: SWEG	APP'D: J. Ragan
JOB: X	DATE: 12/6/23

Lights are handcrafted.
Dimensions may vary by 1/4"

UL Certified
Candelabra- Max 60 Watt Bulb
Edison- Max 660 Watt Bulb