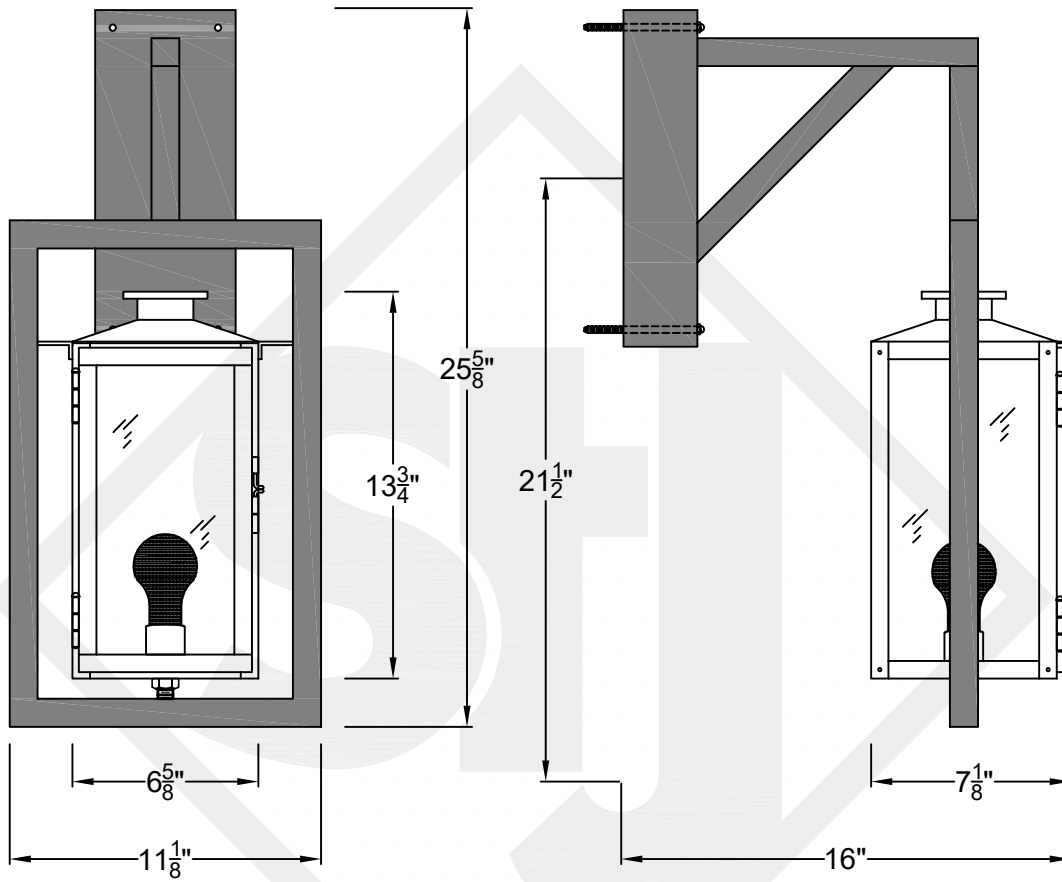


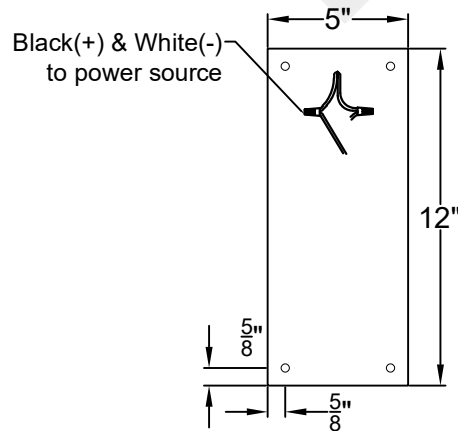
# OXFORD MINI WALL MOUNT FULL YOKE

Shortest Height 21"



Front View

Side View



Backplate



**St. James  
LIGHTING**

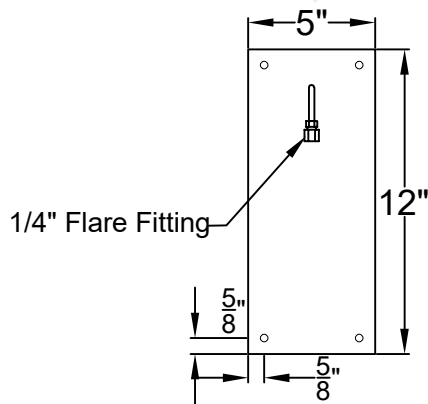
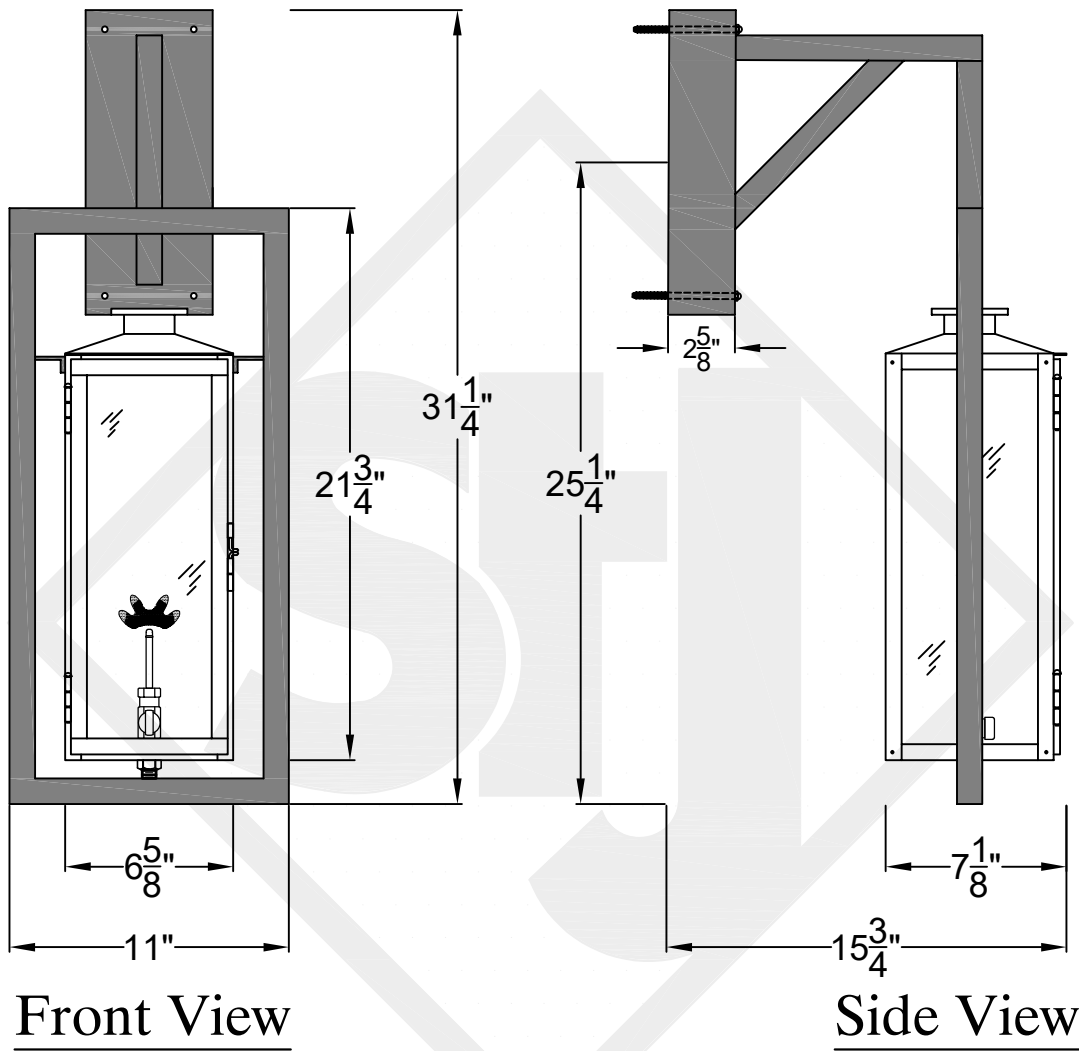
SCALE: N.T.S.	DRAFT: Y. McCullough
FILE: OXFMINI	APP'D: J. Ragan
JOB: X	DATE: 11/29/23

Lights are handcrafted.  
Dimensions may vary by 1/4"

UL Certified  
Candelabra- Max 60 Watt Bulb  
Edison- Max 660 Watt Bulb

# OXFORD SMALL WALL MOUNT FULL YOKE

Shortest Height 31 <sup>1</sup>/<sub>4</sub>"



St. James  
LIGHTING

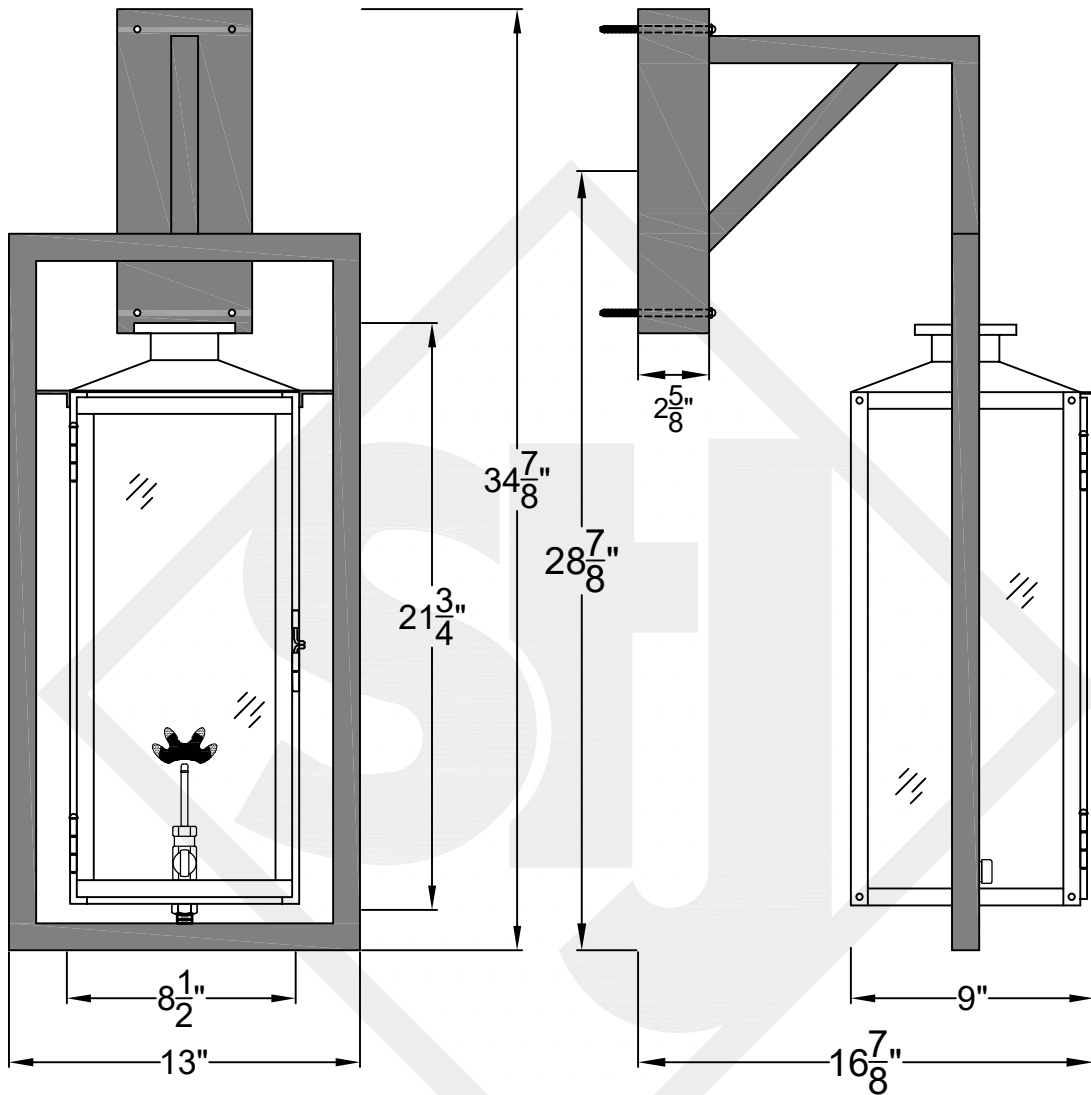
SCALE: N.T.S.	DRAFT: T. Herring
FILE: OXFS	APP'D: J. Ragan
JOB: X	DATE: 8-28-2023

Lights are handcrafted.  
Dimensions may vary by 1/4"

B.T.U. Rating  
 Natural Gas: 2730 B.T.U.  
 Propane: 2080 B.T.U.

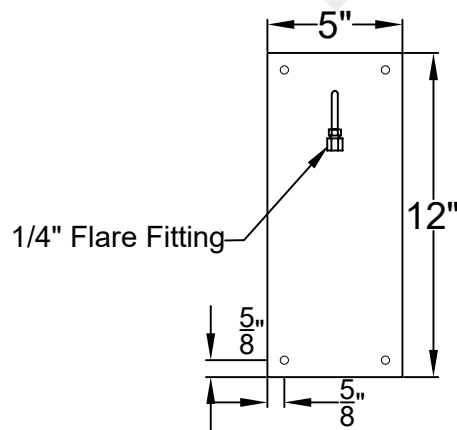
# OXFORD MEDIUM WALL MOUNT FULL YOKE

Shortest Height  $34\frac{7}{8}"$



Front View

Side View



Backplate



St. James  
LIGHTING

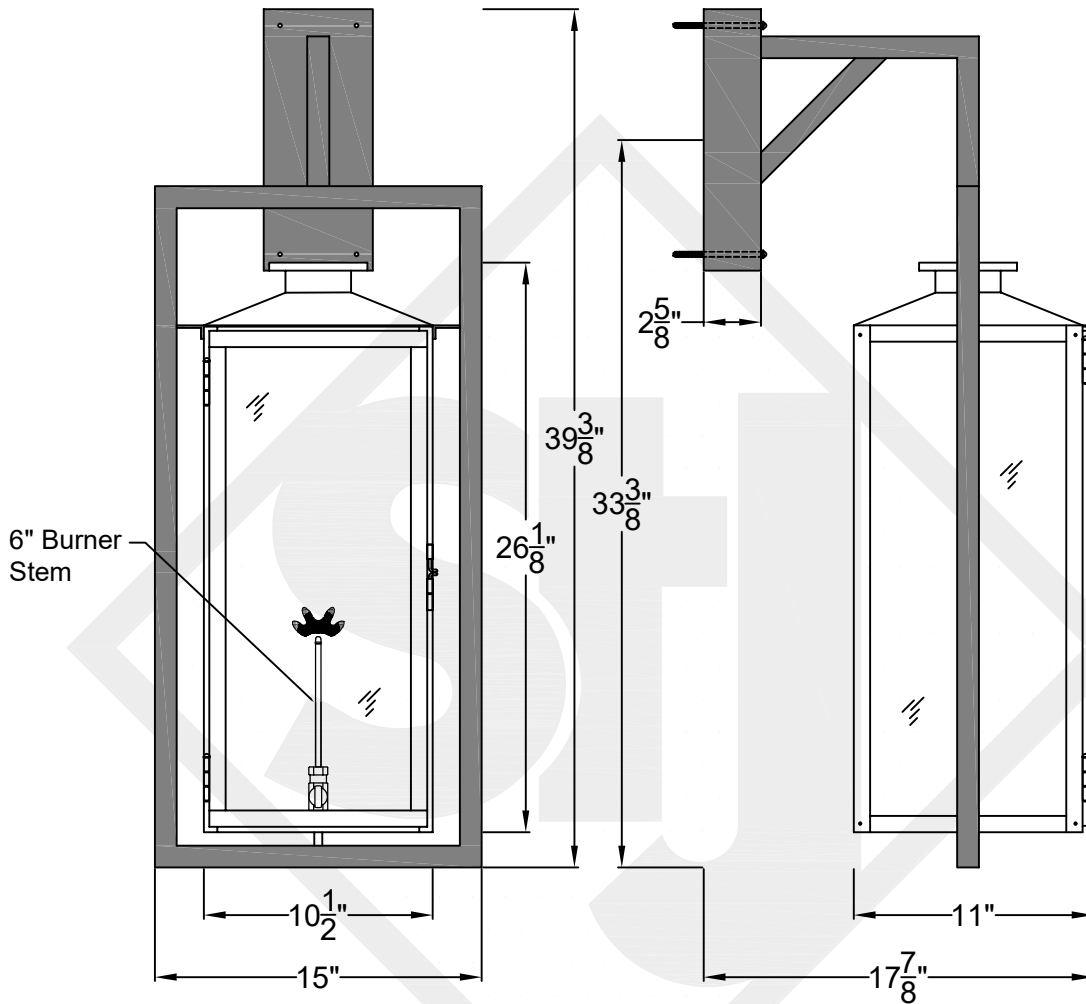
SCALE: N.T.S.	DRAFT: Y. McCullough
FILE: OXFM	APP'D: J. Ragan
JOB: X	DATE: 11/29/23

Lights are handcrafted.  
Dimensions may vary by 1/4"

B.T.U. Rating  
Natural Gas: 2730 B.T.U.  
Propane: 2080 B.T.U.

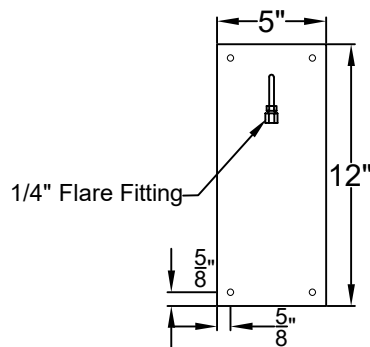
# OXFORD LARGE WALL MOUNT FULL YOKE

Shortest Height  $39\frac{3}{8}"$



Front View

Side View



Backplate



**St. James  
LIGHTING**

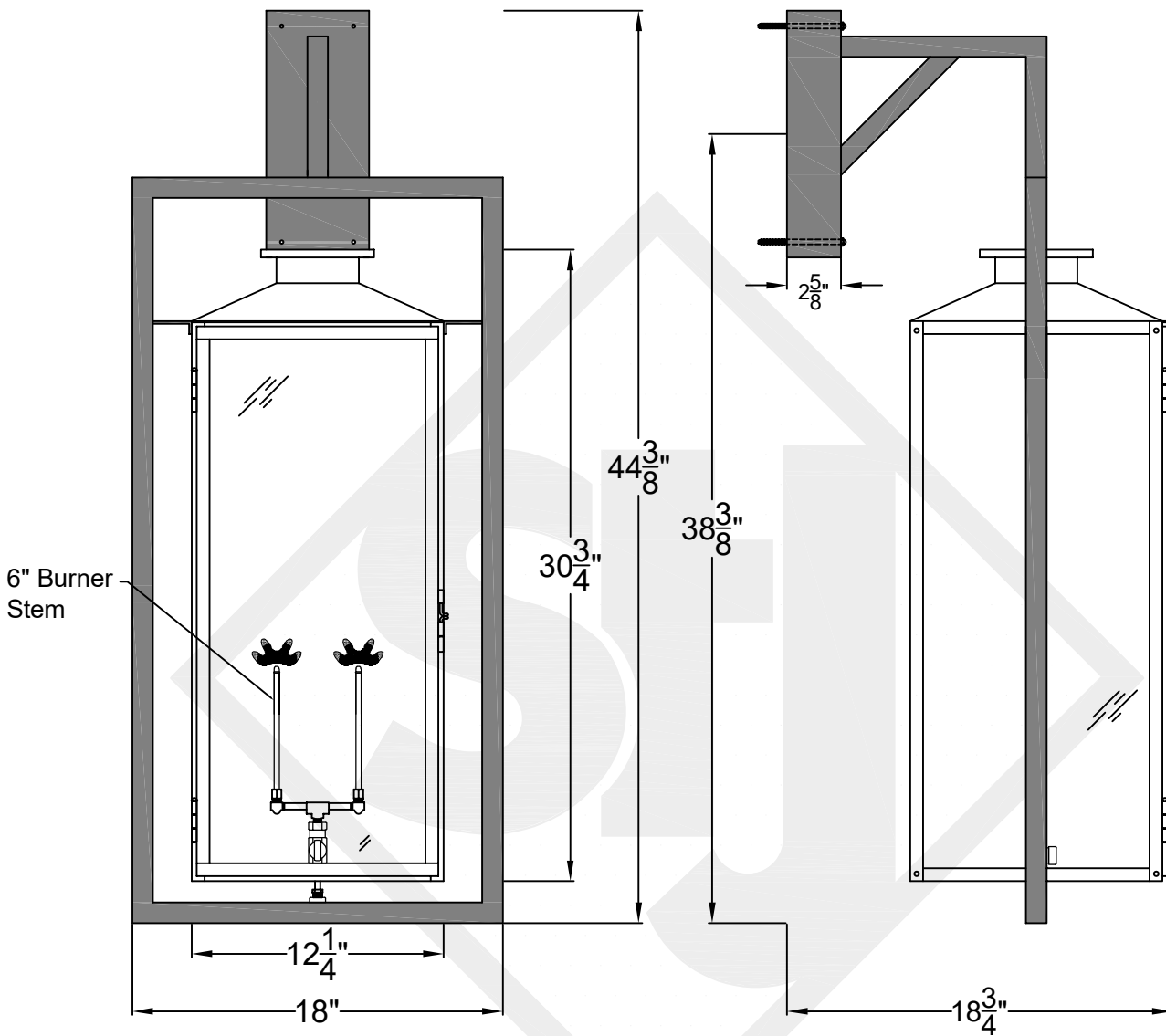
SCALE: N.T.S.	DRAFT: Y. McCullough
FILE: OXFL	APP'D: J. Ragan
JOB: X	DATE: 11/29/23

Lights are handcrafted.  
Dimensions may vary by 1/4"

B.T.U. Rating  
Natural Gas: 2730 B.T.U.  
Propane: 2080 B.T.U.

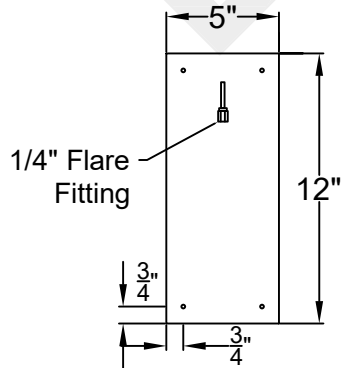
# OXFORD GRANDE WALL MOUNT FULL YOKE

Shortest Height 39 $\frac{1}{2}$ "



Front View

Side View



Backplate



St. James  
LIGHTING

SCALE: N.T.S.	DRAFT: Y. McCullough
FILE: OXFG	APP'D: J. Ragan
JOB: X	DATE: 11/29/23

Lights are handcrafted.  
Dimensions may vary by 1/4"

B.T.U. Rating  
Natural Gas: 5460 B.T.U.  
Propane: 4160 B.T.U.