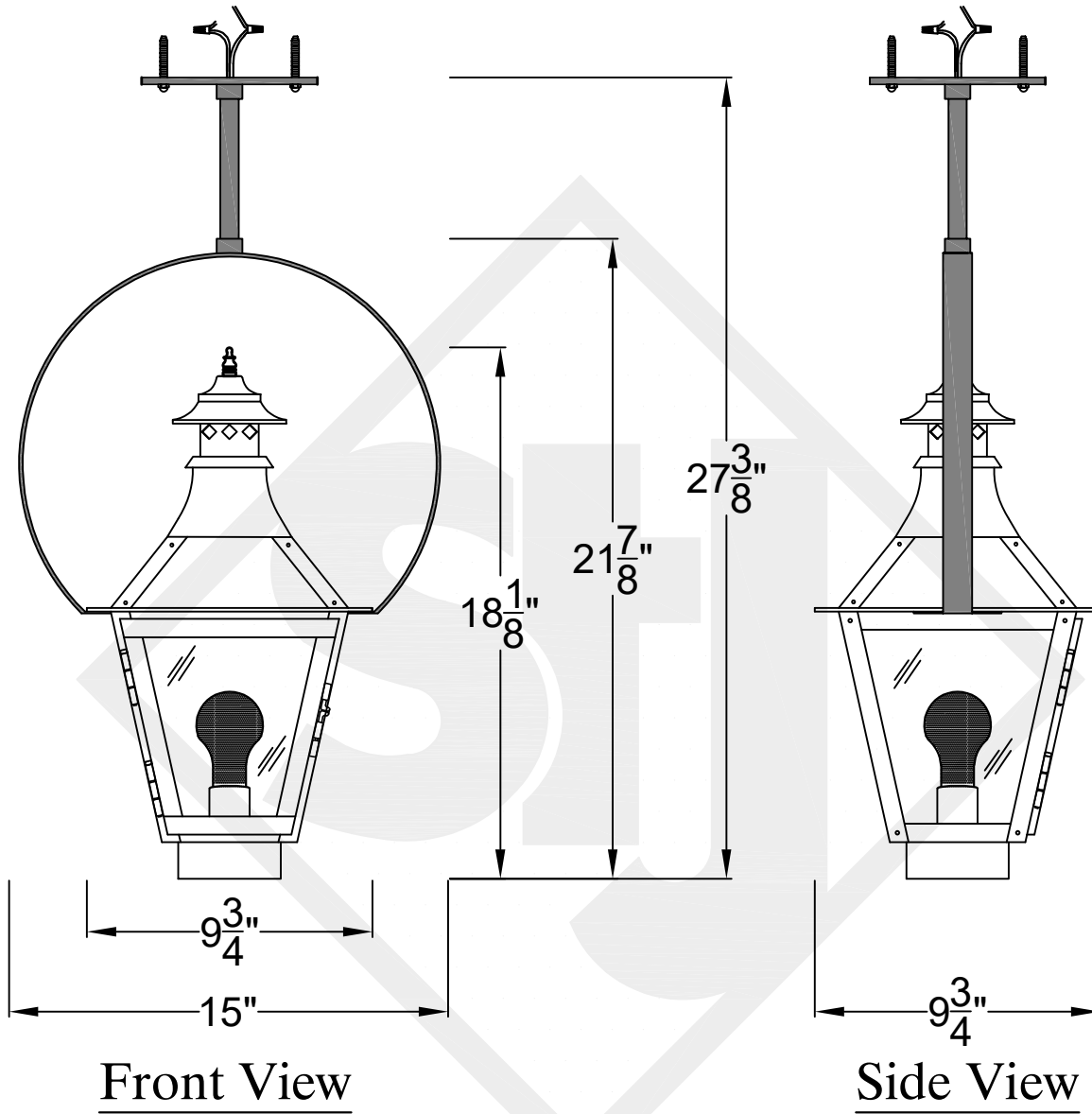
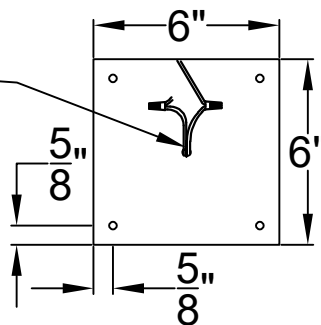


CHESAPEAKE MINI CEILING MOUNT HALF YOKE

Shortest Height $23\frac{5}{8}"$
Available in Solid
or Glass Top



Black(+) & White(-)
to power source



Ceiling Mount



St. James
LIGHTING

SCALE: N.T.S.	DRAFT: Y. McCullough
FILE: CHEMINI	APP'D: J. Ragan
JOB: X	DATE: 11/11/23

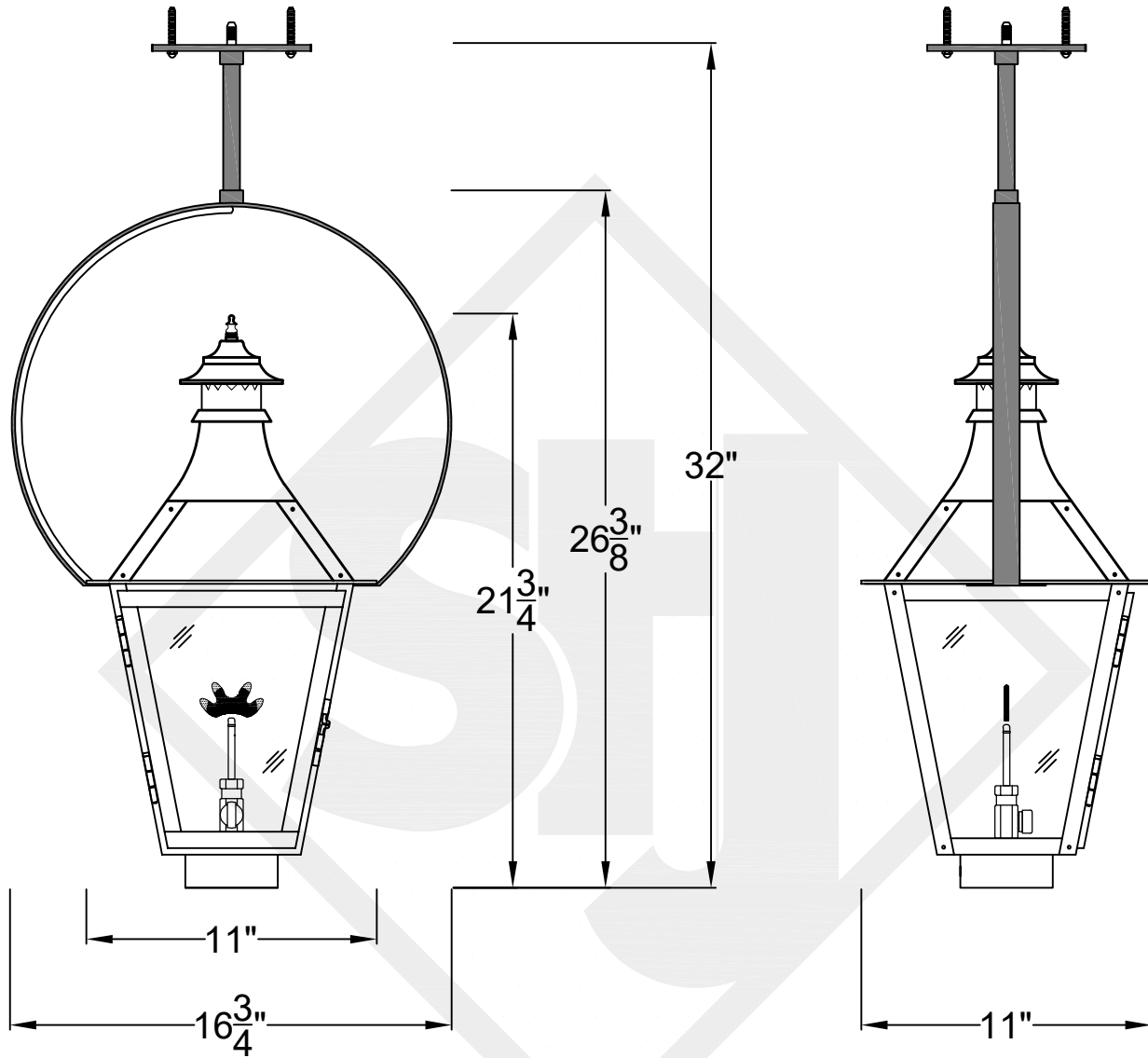
Lights are handcrafted.
Dimensions may vary by 1/4"

Mini not Available in Gas

UL Certified
Candelabra- Max 60 Watt Bulb
Edison- Max 660 Watt Bulb

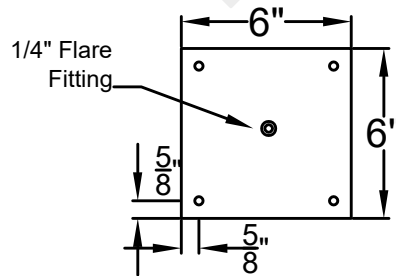
CHESAPEAKE SMALL CEILING MOUNT HALF YOKE

Available in Solid
or Glass Top
Shortest Height 31"



Front View

Side View



Ceiling Mount



St. James
LIGHTING

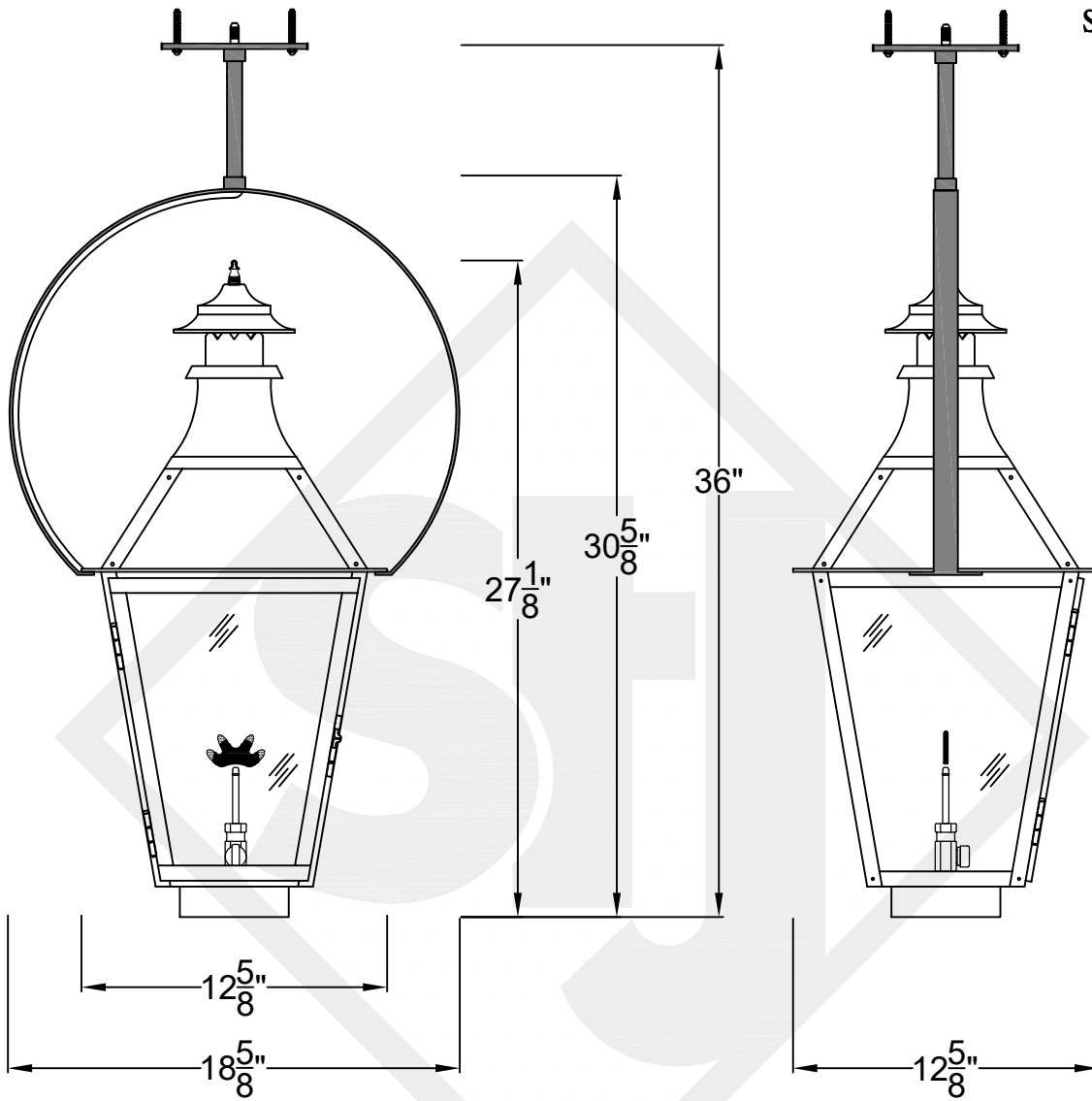
SCALE: N.T.S.	DRAFT: Y. McCullough
FILE: CHES	APP'D: J. Ragan
JOB: X	DATE: 11/18/23

Lights are handcrafted.
Dimensions may vary by 1/4"

B.T.U. Rating
Natural Gas: 2730 B.T.U.
Propane: 2080 B.T.U.

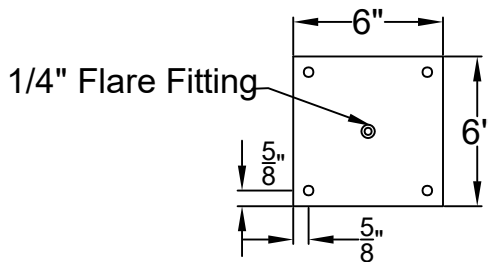
CHESAPEAKE MEDIUM CEILING MOUNT HALF YOKE

Available in Solid
or Glass Top
Shortest Height 36"



Front View

Side View



Ceiling Mount



St. James
LIGHTING

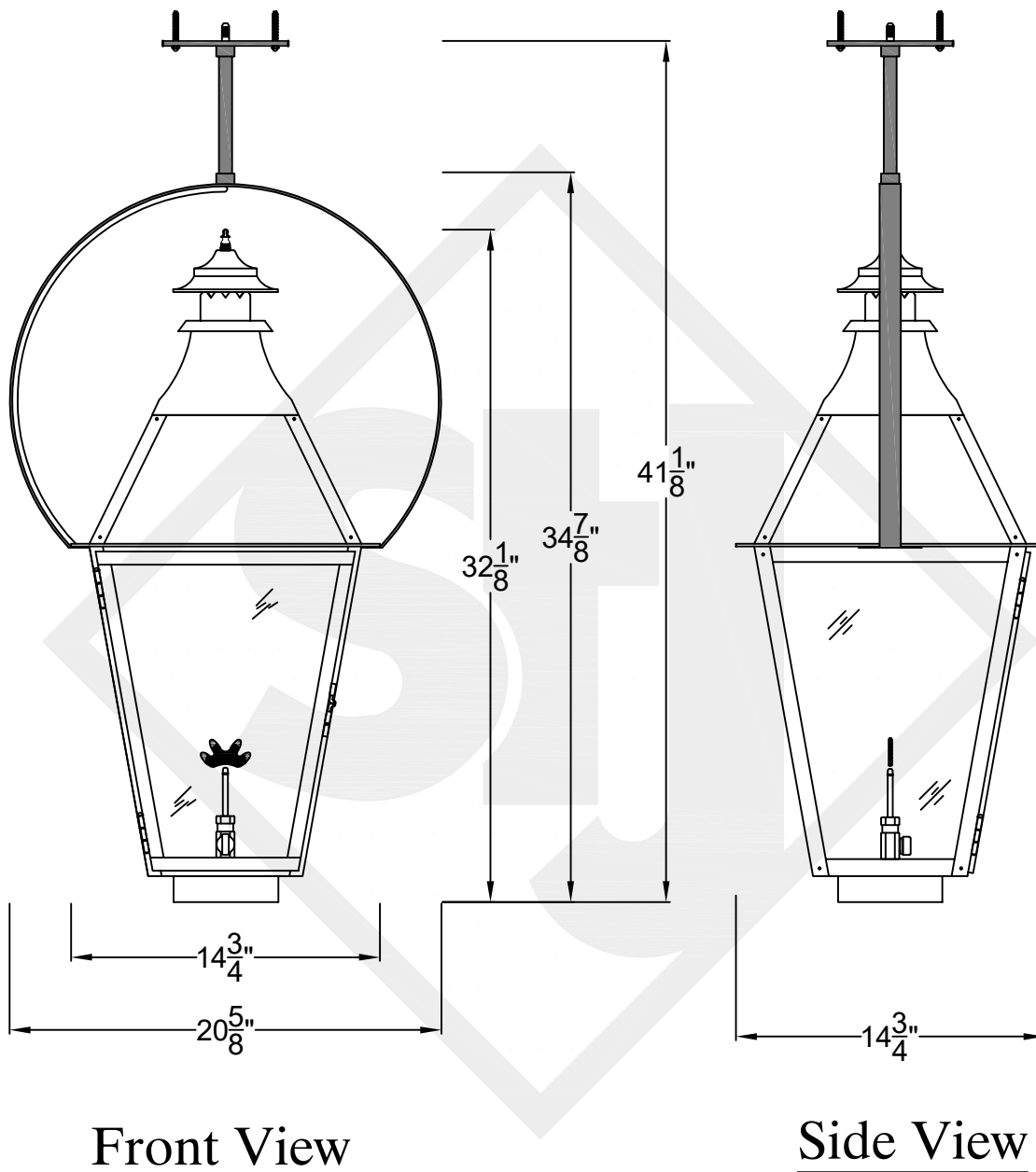
SCALE: N.T.S.	DRAFT: Y. McCullough
FILE: CHEM	APP'D: J. Ragan
JOB: X	DATE: 11/18/23

Lights are handcrafted.
Dimensions may vary by 1/4"

B.T.U. Rating
Natural Gas: 2730 B.T.U.
Propane: 2080 B.T.U.

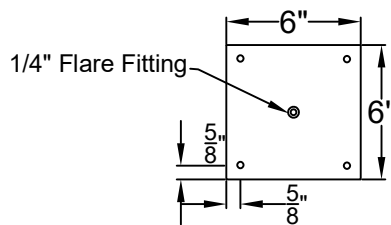
CHESAPEAKE LARGE CEILING MOUNT HALF YOKE

Available in Solid
or Glass Top
Shortest Height $41\frac{1}{8}"$



Front View

Side View



Ceiling Mount



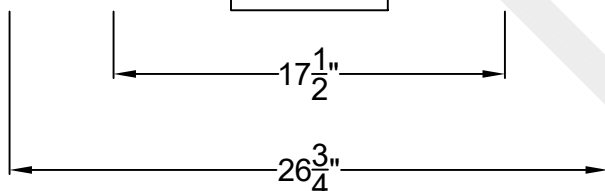
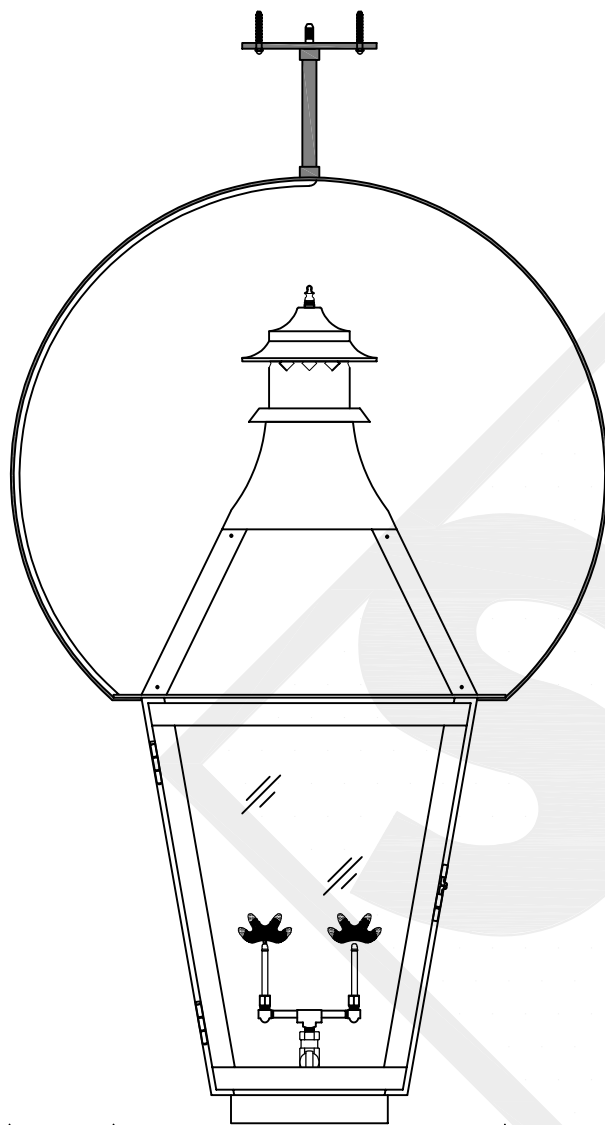
St. James
LIGHTING

SCALE: N.T.S.	DRAFT: Y. McCullough
FILE: CHEL	APP'D: J. Ragan
JOB: X	DATE: 11/18/23

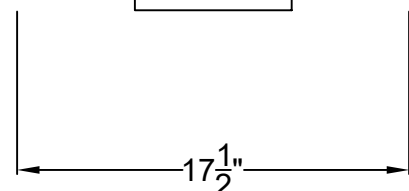
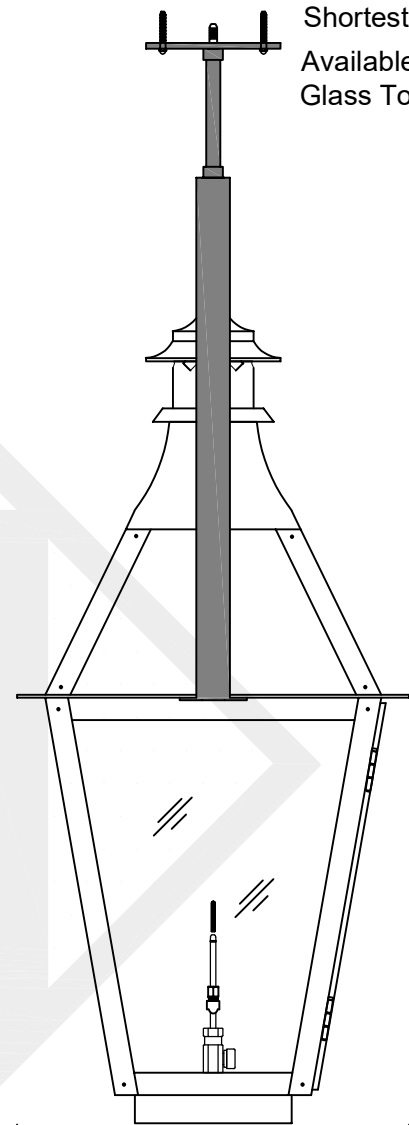
Lights are handcrafted.
Dimensions may vary by 1/4"

B.T.U. Rating
Natural Gas: 2730 B.T.U.
Propane: 2080 B.T.U.

CHESAPEAKE GRANDE CEILING MOUNT HALF YOKE

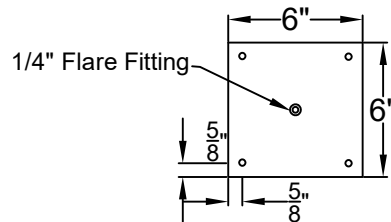


Front View



Side View

Shortest Height 46"
Available w/ Solid or
Glass Top



Ceiling Mount



St. James
LIGHTING

SCALE: N.T.S.	DRAFT: Y. McCullough
FILE: CHEG	APP'D: J. Ragan
JOB: X	DATE: 11/18/23

Lights are handcrafted.
Dimensions may vary by 1/4"

B.T.U. Rating
Natural Gas: 5460 B.T.U.
Propane: 4160 B.T.U.