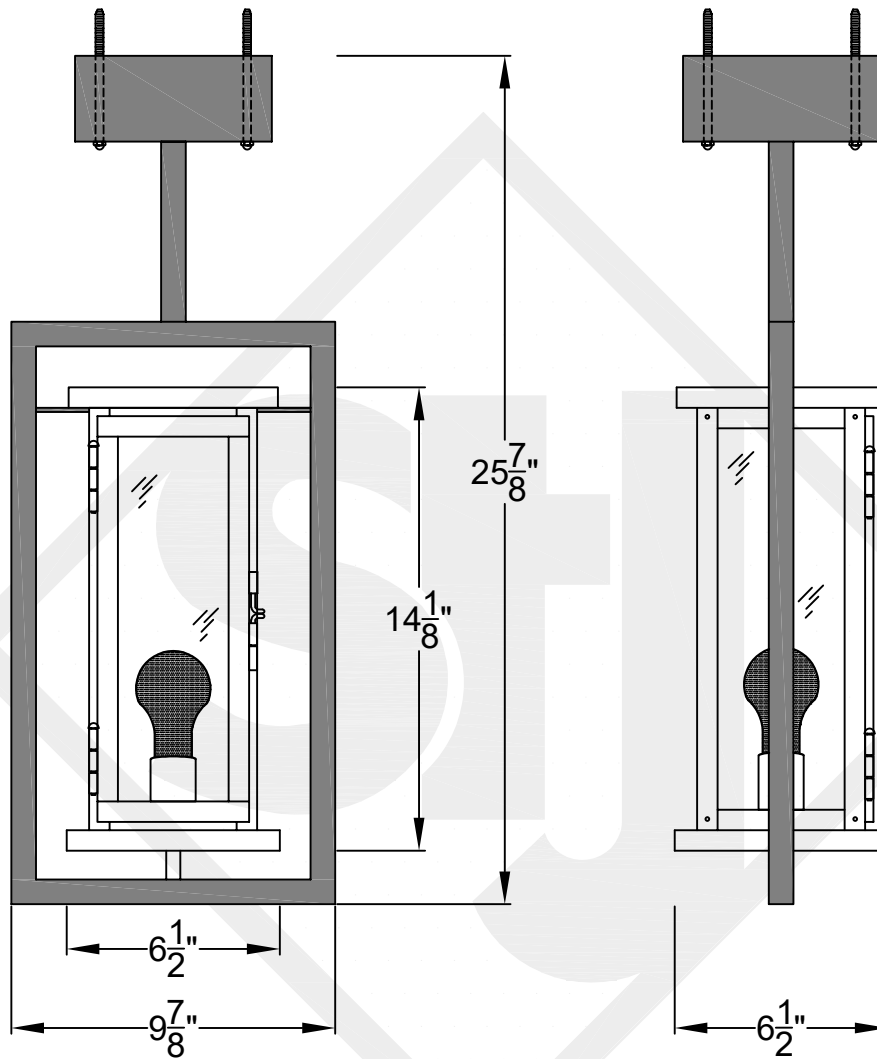


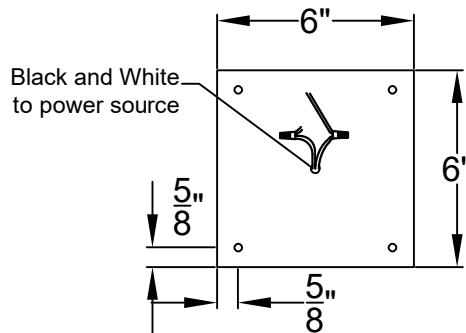
TRINITY MINI CEILING MOUNT FULL YOKE

Shortest Height 21 $\frac{3}{8}$ "



Front View

Side View



Ceiling Mount



St. James
LIGHTING

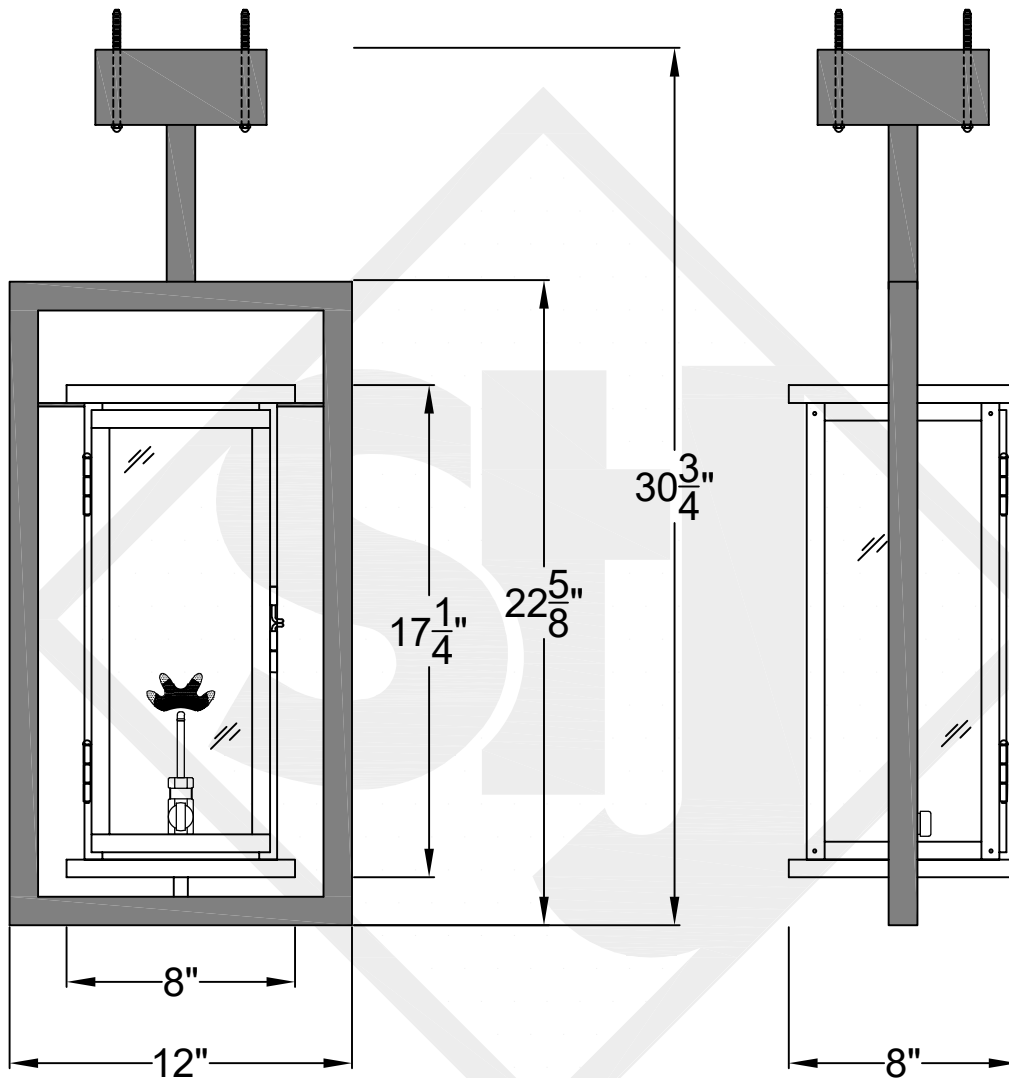
SCALE: N.T.S.	DRAFT: T. Herring
FILE: TRIMINI	APP'D: J. Ragan
JOB: X	DATE: 8-28-2023

Lights are handcrafted.
Dimensions may vary by 1/4"

Mini not Available in Gas
UL Certified
Candelabra- Max 60 Watt Bulb
Edison- Max 660 Watt Bulb

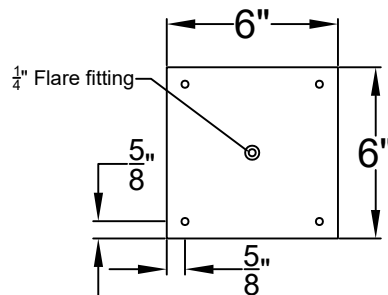
TRINITY SMALL CEILING MOUNT FULL YOKE

Shortest Height 30 ³/₈"



Front View

Side View



Ceiling Mount



St. James
LIGHTING

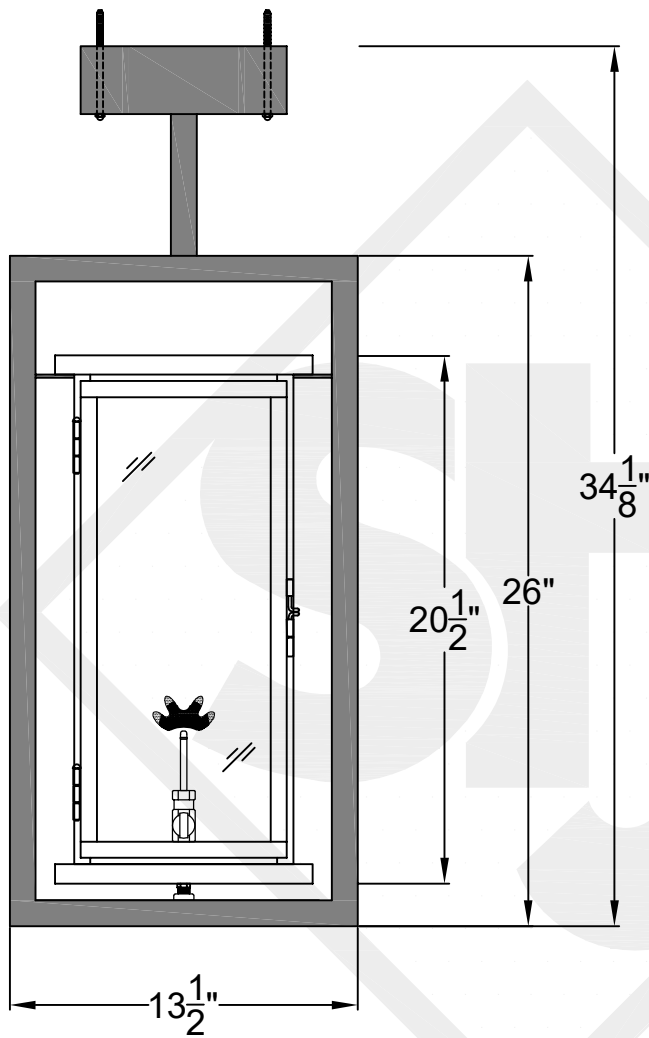
SCALE: N.T.S.	DRAFT: Y. McCullough
FILE: TRIS	APP'D: J. Ragan
JOB: X	DATE: 12/6/23

Lights are handcrafted.
Dimensions may vary by 1/4"

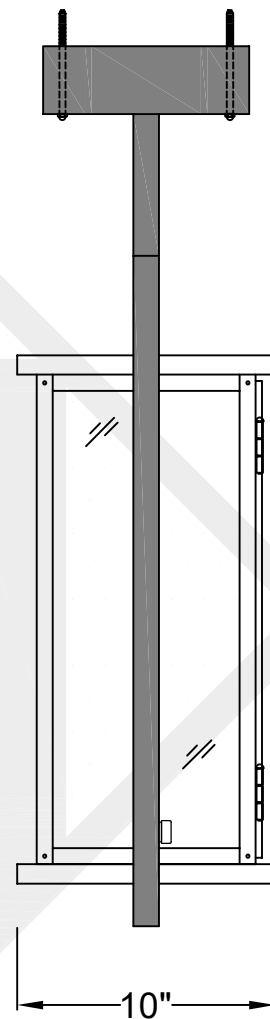
B.T.U. Rating
Natural Gas: 2730 B.T.U.
Propane: 2080 B.T.U.

TRINITY MEDIUM CEILING MOUNT FULL YOKE

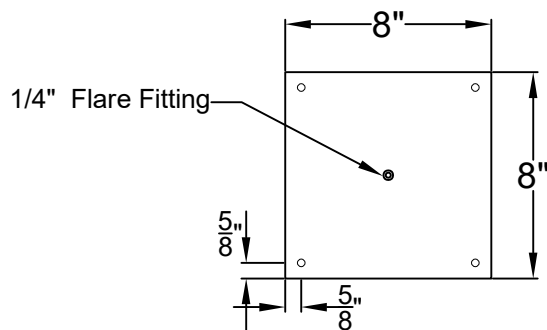
Shortest Height $33\frac{3}{8}"$



Front View



Side View



Ceiling Mount



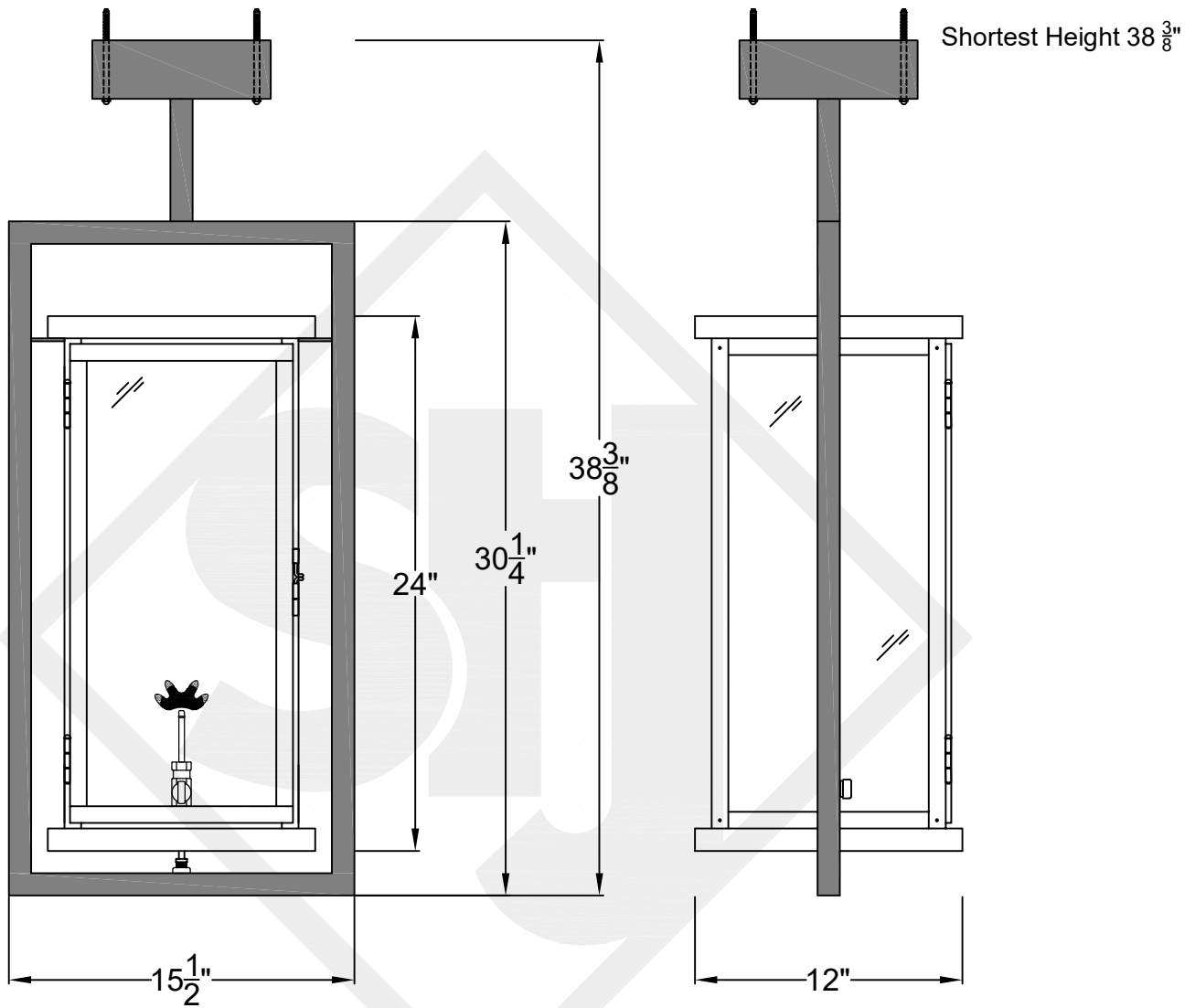
St. James
LIGHTING

SCALE: N.T.S.	DRAFT: Y. McCullough
FILE: TRIM	APP'D: J. Ragan
JOB: X	DATE: 12/6/23

Lights are handcrafted.
Dimensions may vary by 1/4"

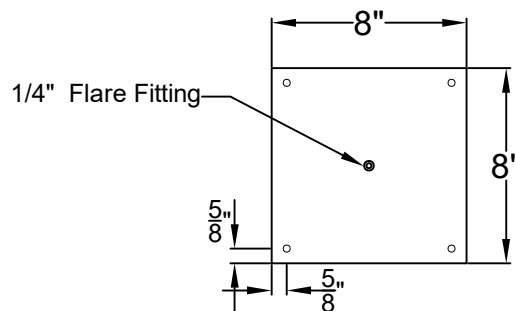
B.T.U. Rating
Natural Gas: 2730 B.T.U.
Propane: 2080 B.T.U.

TRINITY LARGE CEILING MOUNT FULL YOKE



Front View

Side View



Ceiling Mount



St. James
LIGHTING

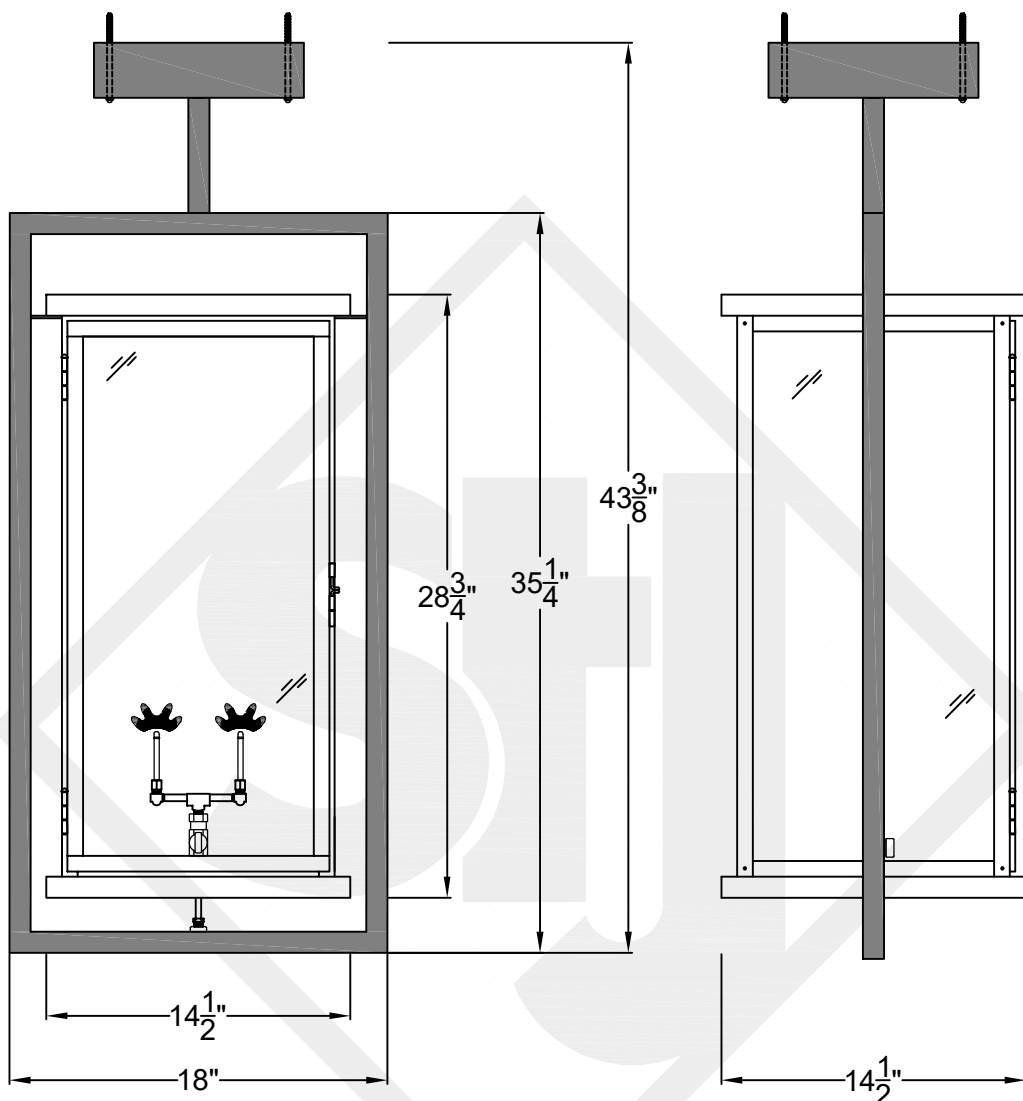
SCALE: N.T.S.	DRAFT: Y. McCullough
FILE: TRIL	APP'D: J. Ragan
JOB: X	DATE: 1/12/24

Lights are handcrafted.
Dimensions may vary by 1/4"

B.T.U. Rating
Natural Gas: 2730 B.T.U.
Propane: 2080 B.T.U.

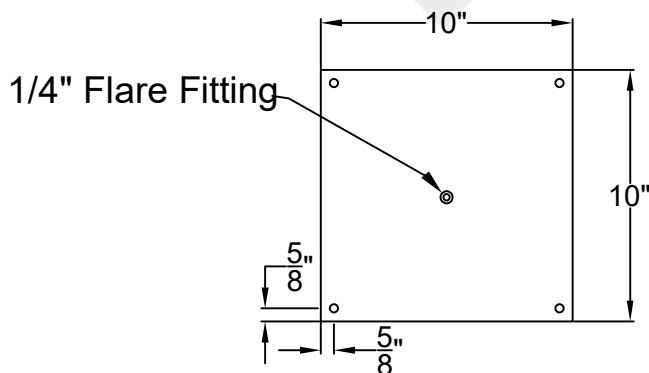
TRINITY GRANDE CEILING MOUNT FULL YOKE

Shortest Height $38\frac{7}{8}$ "



Front View

Side View



Ceiling Mount



St. James
LIGHTING

SCALE: N.T.S.	DRAFT: Y. McCullough
FILE: TRIG	APP'D: J. Ragan
JOB: X	DATE: 12/6/23

Lights are handcrafted.
Dimensions may vary by 1/4"

B.T.U. Rating
Natural Gas: 5460 B.T.U.
Propane: 4160 B.T.U.