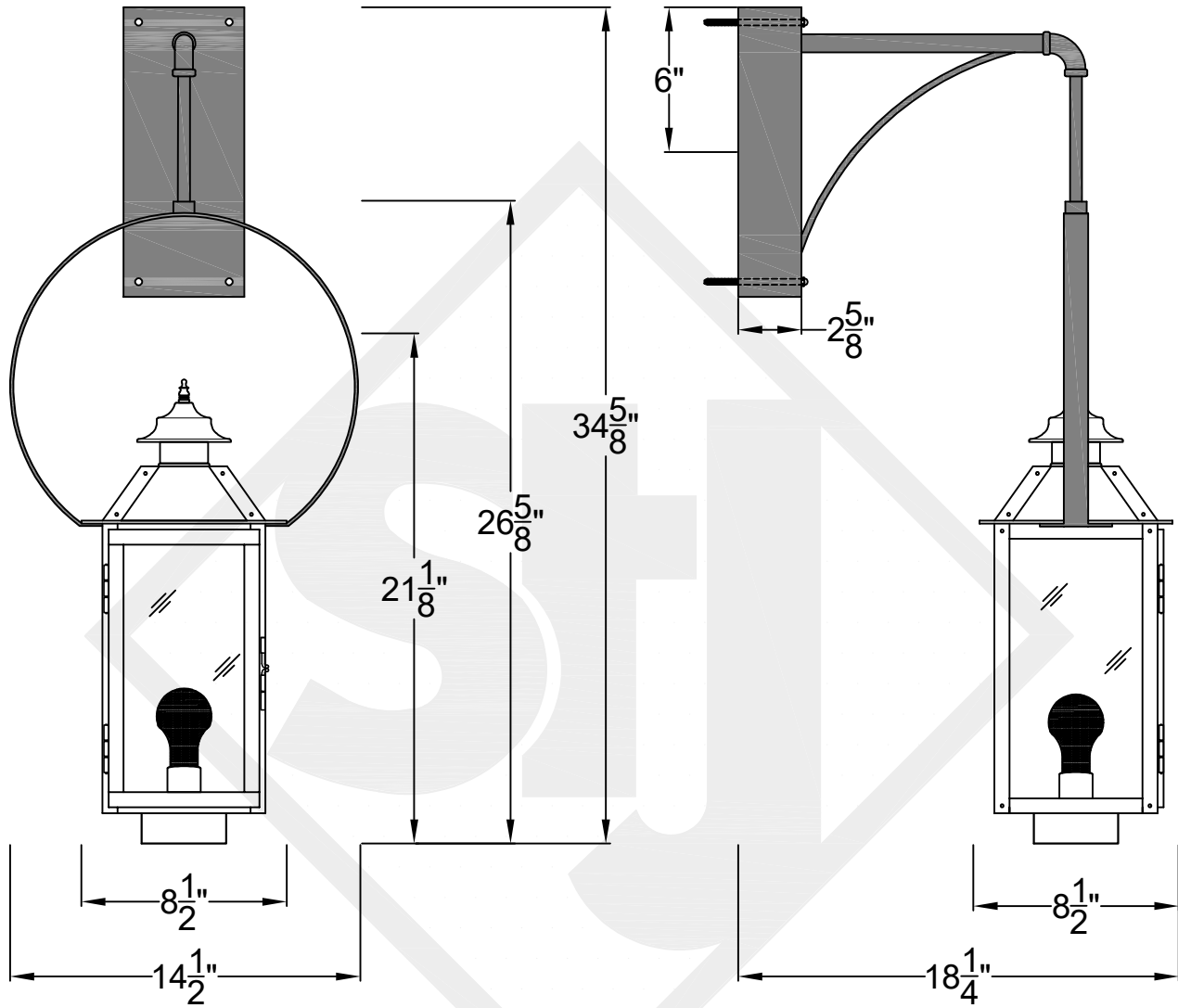


SWEET WATER MINI WALL MOUNT HALF YOKE

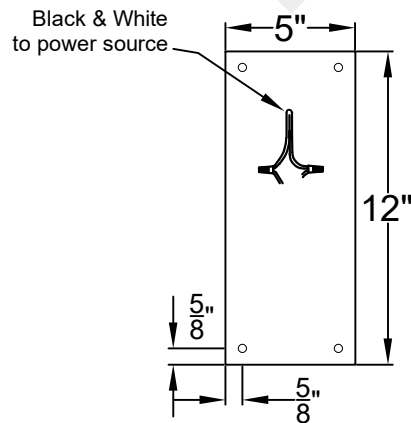
Shortest Height $26\frac{5}{8}"$

Available w/ Solid or
Glass Top



Front View

Side View



Backplate



St. James
LIGHTING

SCALE: N.T.S.	DRAFT: Y. McCullough
FILE: SWEMINI	APP'D: J. Ragan
JOB: X	DATE: 12/6/23

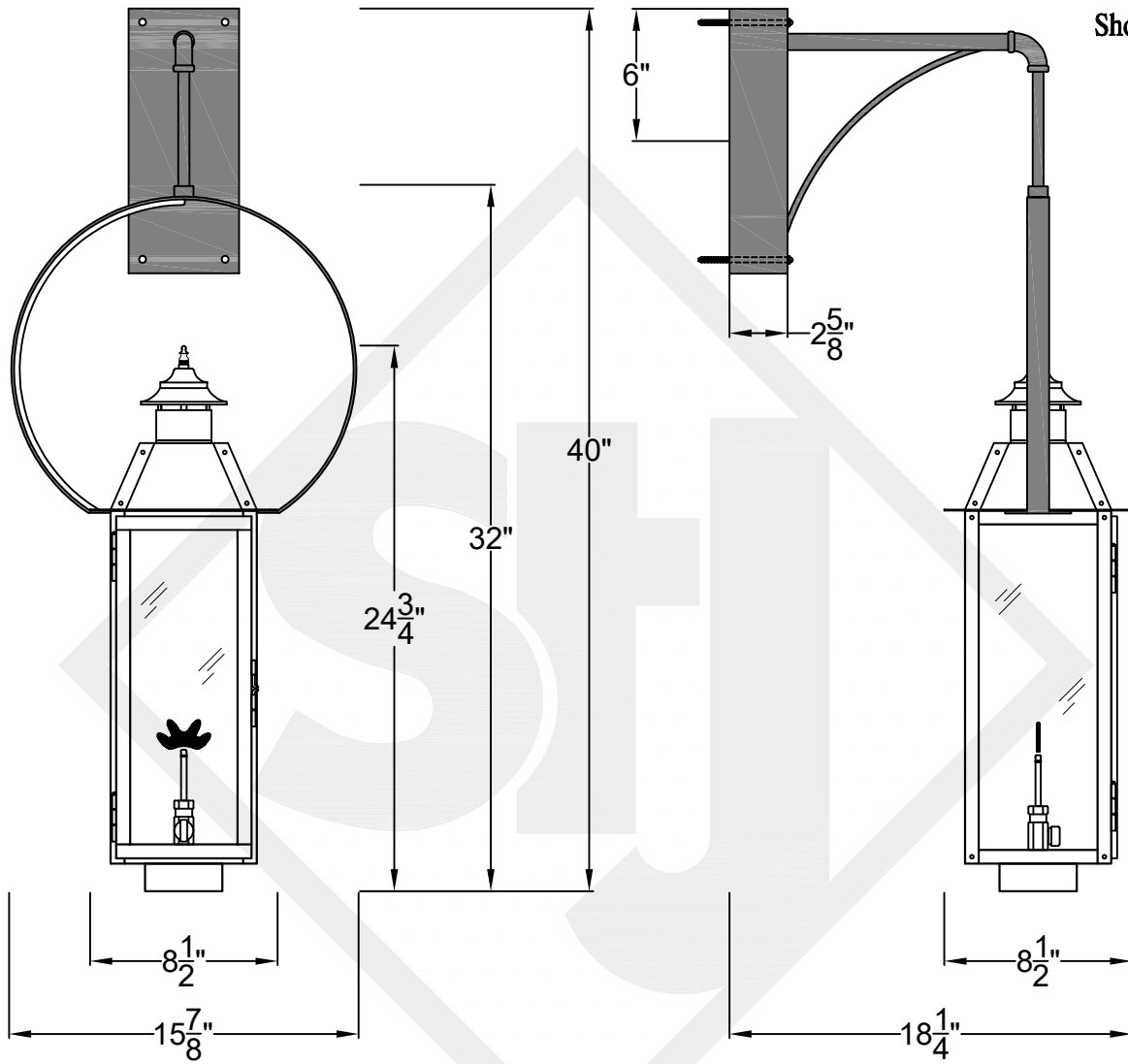
Lights are handcrafted.
Dimensions may vary by 1/4"

UL Certified
Candelabra- Max 60 Watt Bulb
Edison- Max 660 Watt Bulb

Mini not Available in Gas

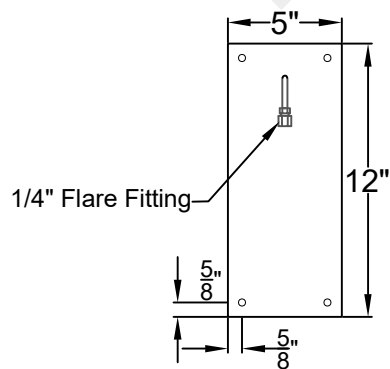
SWEET WATER SMALL WALL MOUNT HALF YOKE

Available w/ Solid
or Glass Top
Shortest Height $35\frac{7}{8}$ "



Front View

Side View



Backplate



St. James
LIGHTING

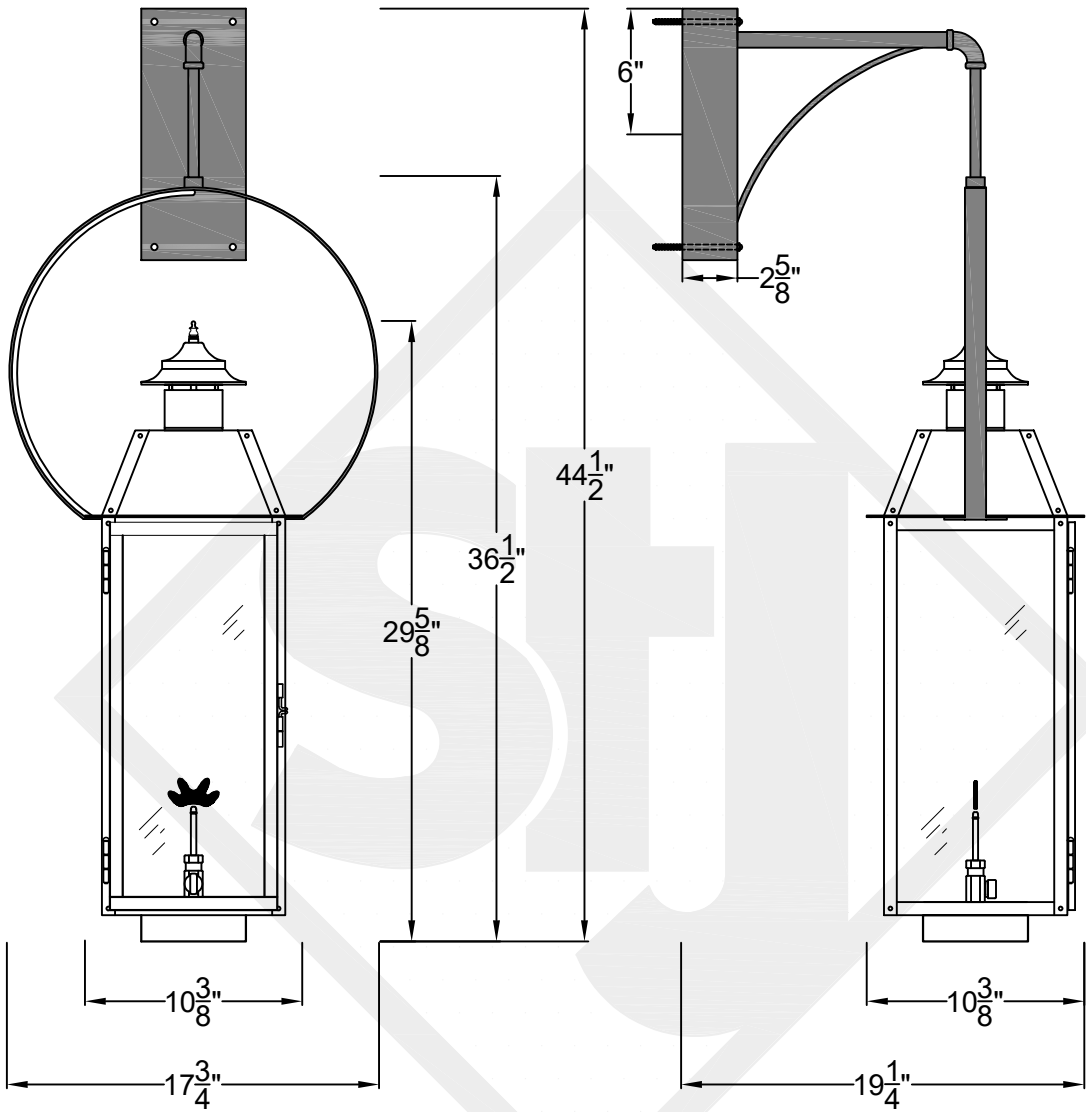
SCALE: N.T.S.	DRAFT: Y. McCullough
FILE: SWES	APP'D: J. Ragan
JOB: X	DATE: 1/5/24

Lights are handcrafted.
Dimensions may vary by 1/4"

B.T.U. Rating
Natural Gas: 2730 B.T.U.
Propane: 2080 B.T.U.

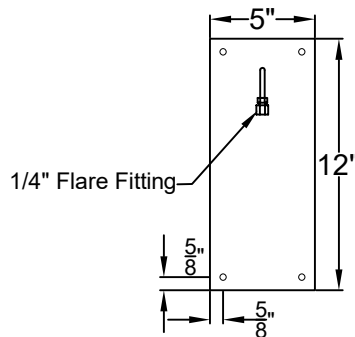
SWEET WATER MEDIUM WALL MOUNT HALF YOKE

Shortest Height $40\frac{3}{8}"$
Available w/ Solid or
Glass Top



Front View

Side View



Backplate



St. James
LIGHTING

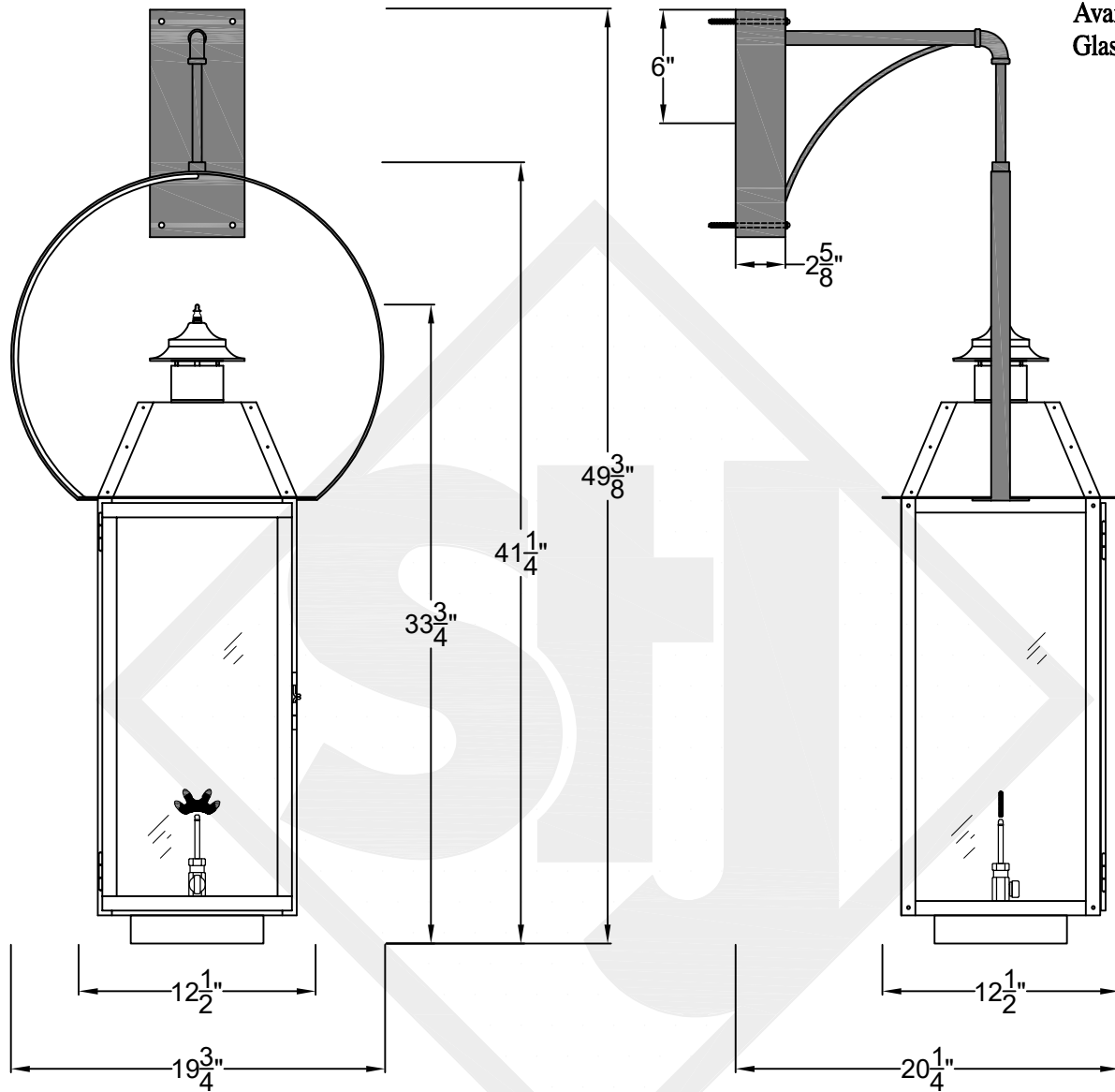
SCALE: N.T.S.	DRAFT: Y. McCullough
FILE: SWEM	APP'D: J. Ragan
JOB: X	DATE: 12/6/23

Lights are handcrafted.
Dimensions may vary by 1/4"

B.T.U. Rating
Natural Gas: 2730 B.T.U.
Propane: 2080 B.T.U.

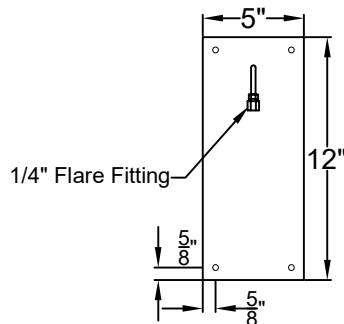
SWEET WATER LARGE WALL MOUNT HALF YOKE

Shortest Height $45\frac{1}{8}"$
Available w/ Solid or Glass Top



Front View

Side View



Backplate



St. James
LIGHTING

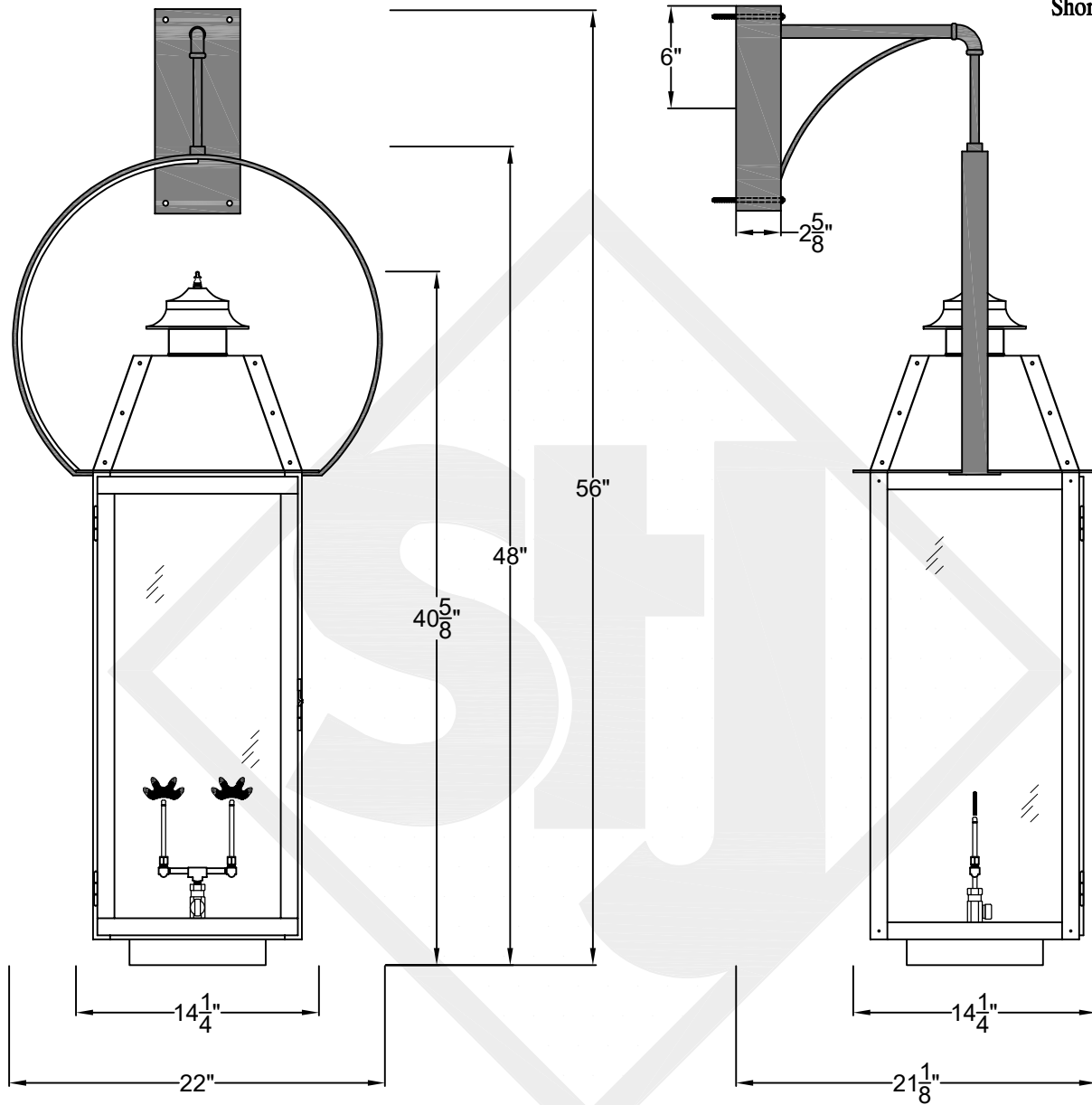
SCALE: N.T.S.	DRAFT: Y. McCullough
FILE: SWEL	APP'D: J. Ragan
JOB: X	DATE: 12/6/23

Lights are handcrafted.
Dimensions may vary by 1/4"

B.T.U. Rating
Natural Gas: 2730 B.T.U.
Propane: 2080 B.T.U.

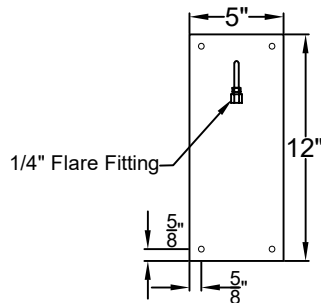
SWEET WATER GRANDE WALL MOUNT HALF YOKE

Available w/ Solid
or Glass Top
Shortest Height $51\frac{7}{8}$ "



Front View

Side View



Backplate



St. James
LIGHTING

SCALE: N.T.S.	DRAFT: Y. McCullough
FILE: SWEG	APP'D: J. Ragan
JOB: X	DATE: 12/6/23

Lights are handcrafted.
Dimensions may vary by 1/4"

B.T.U. Rating
Natural Gas: 5460 B.T.U.
Propane: 4160 B.T.U.