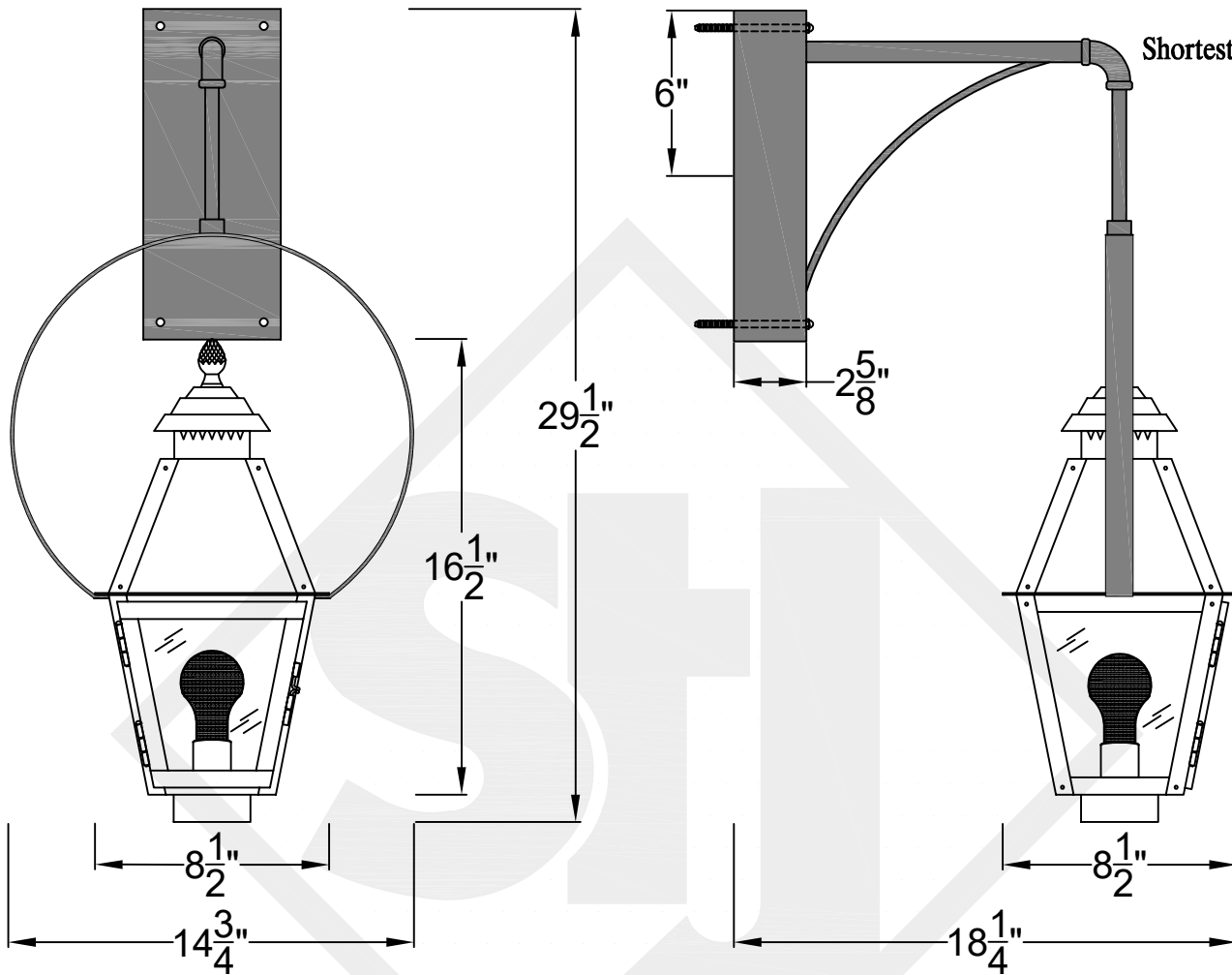


# NATCHEZ MINI WALL MOUNT HALF YOKE

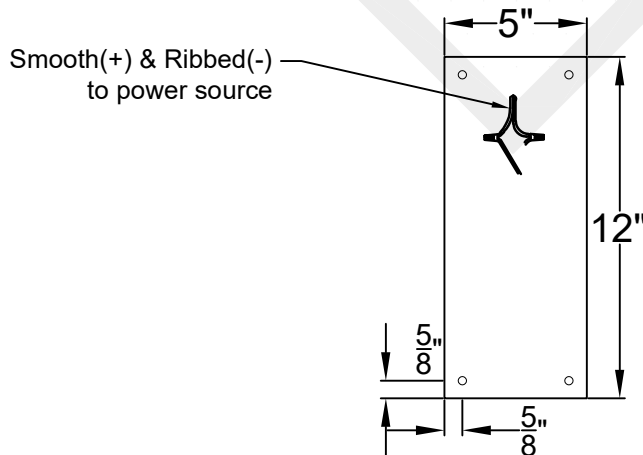
Available w/ Solid  
or Glass Top

Shortest Height  $25\frac{3}{4}$ "



Front View

Side View



Backplate



St. James  
LIGHTING

SCALE: N.T.S.	DRAFT: Y. McCullough
FILE: NATMINI	APP'D: J. Ragan
JOB: X	DATE: 11/20/23

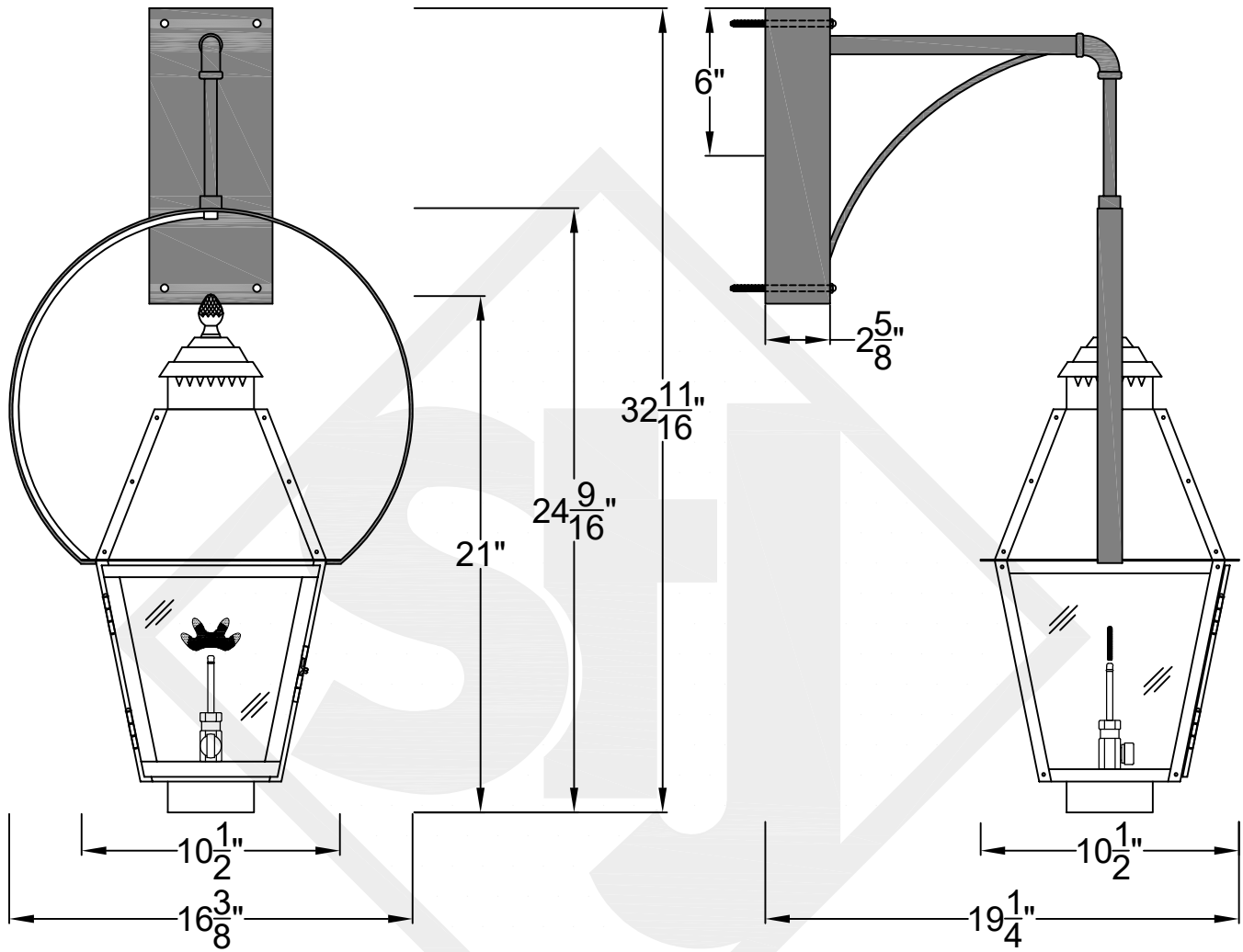
Lights are handcrafted.  
Dimensions may vary by 1/4"

UL Certified  
Candelabra- Max 60 Watt Bulb  
Edison- Max 660 Watt Bulb

Mini not available in gas

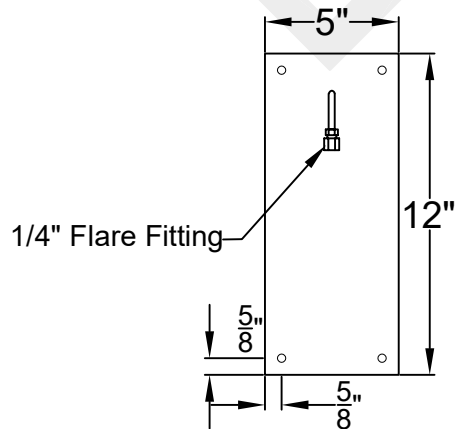
# NATCHEZ SMALL WALL MOUNT HALF YOKE

Available w/ Solid  
or Glass Top  
Shortest Height 29 <sup>3</sup>/<sub>4</sub>"



Front View

Side View



Backplate



St. James  
LIGHTING

SCALE: N.T.S.	DRAFT: M. Buckley
FILE: NATS	APP'D: J. Ragan
JOB: X	DATE: 3/22/24

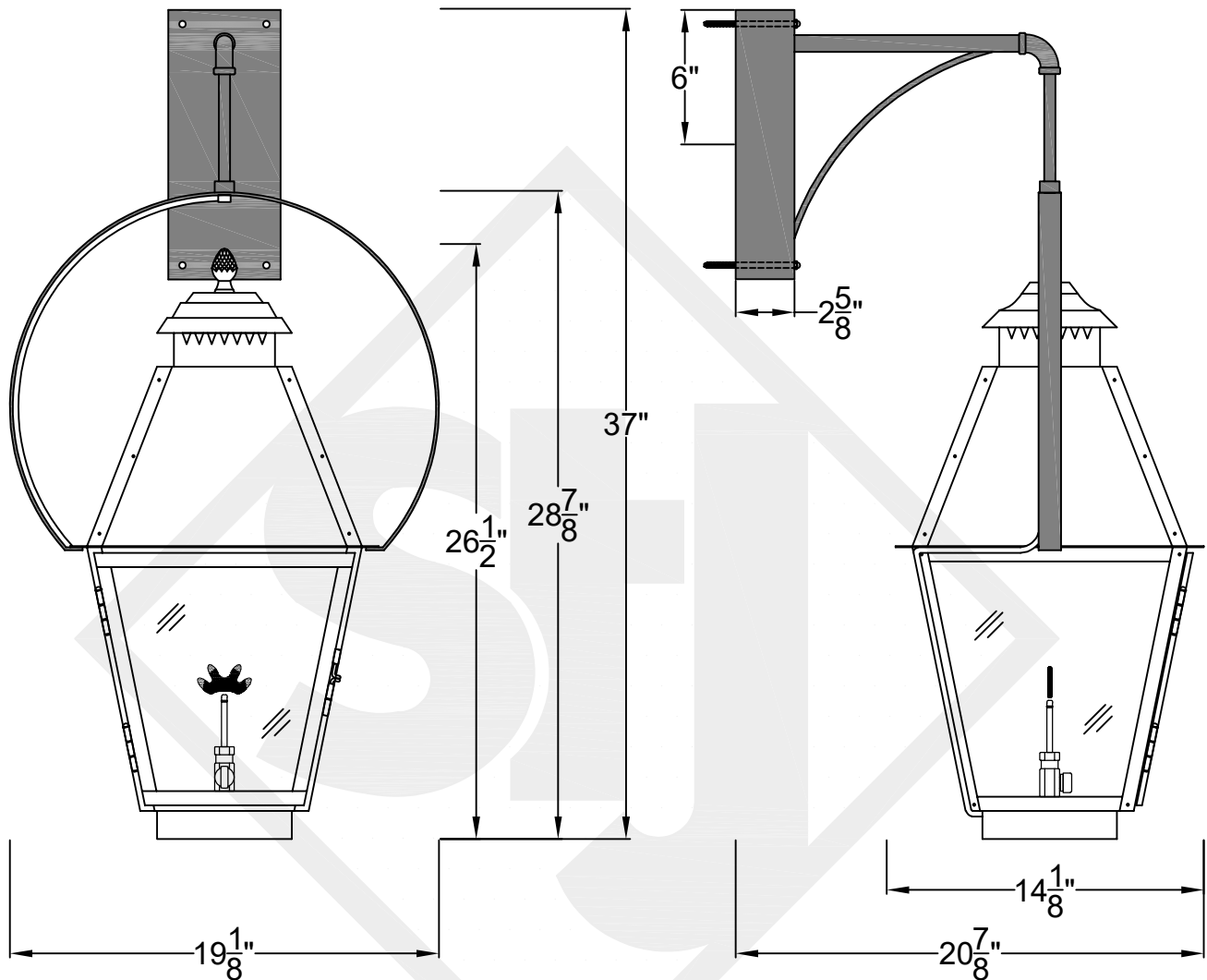
Lights are handcrafted.  
Dimensions may vary by 1/4"

B.T.U. Rating  
Natural Gas: 2730 B.T.U.  
Propane: 2080 B.T.U.

# NATCHEZ MEDIUM WALL MOUNT HALF YOKE

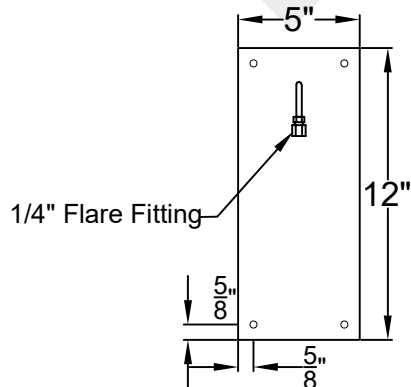
Available w/ Solid  
or Glass Top

Shortest Height  $34\frac{5}{8}"$



Front View

Side View



Backplate



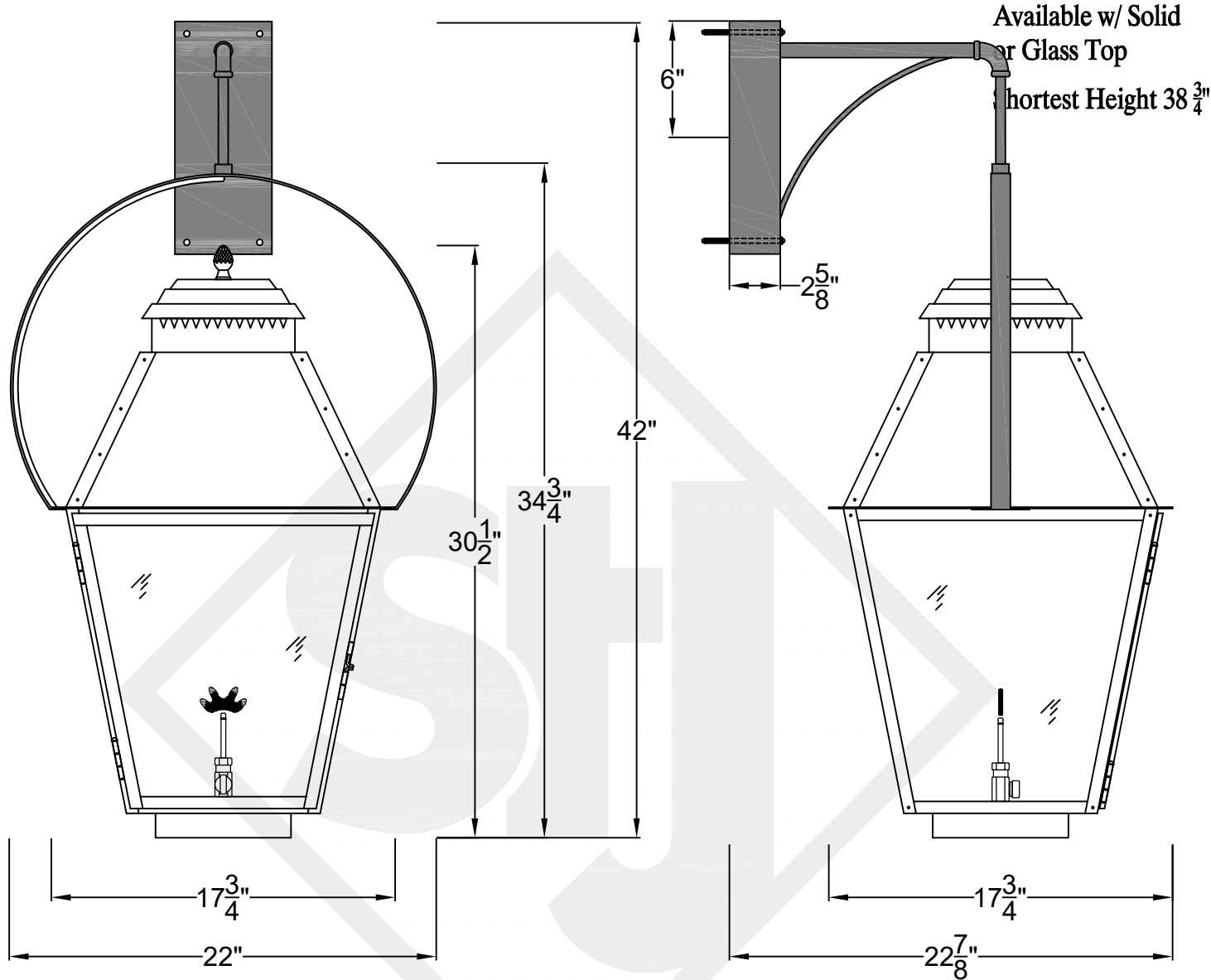
St. James  
LIGHTING

SCALE: N.T.S.	DRAFT: M. Buckley
FILE: NATM	APP'D: J. Ragan
JOB: X	DATE: 3/22/24

Lights are handcrafted.  
Dimensions may vary by 1/4"

B.T.U. Rating  
Natural Gas: 2730 B.T.U.  
Propane: 2080 B.T.U.

# NATCHEZ LARGE WALL MOUNT HALF YOKE



Front View

Side View

Backplate

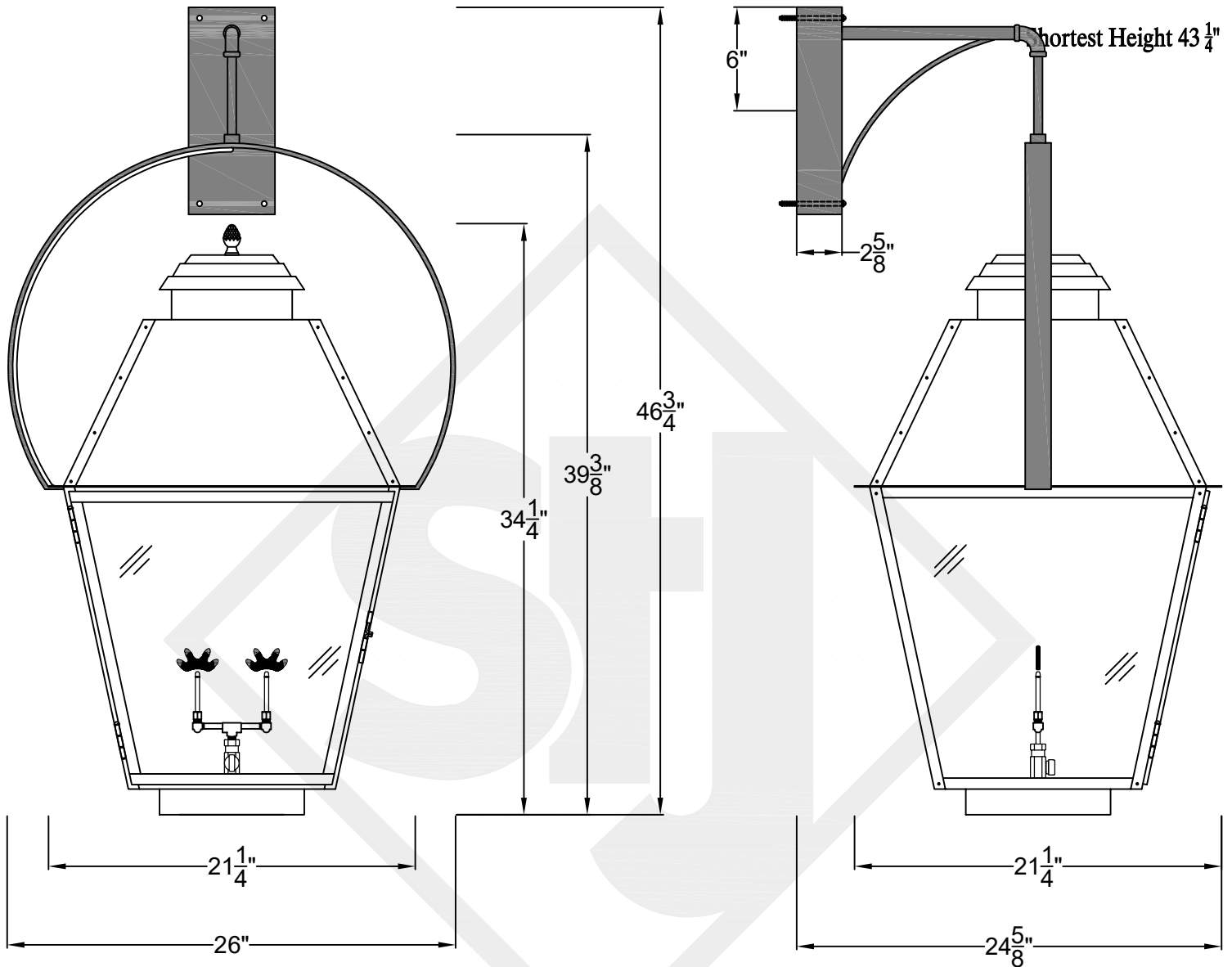
<b>St. James LIGHTING</b>	
SCALE: N.T.S.	DRAFT: Y. McCullough
FILE: NATL	APP'D: J. Ragan
JOB: X	DATE: 11/20/23

Lights are handcrafted.  
Dimensions may vary by 1/4"

B.T.U. Rating  
Natural Gas: 5460 B.T.U.  
Propane: 4160 B.T.U.

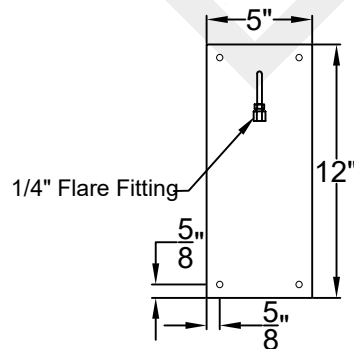
# NATCHEZ GRANDE WALL MOUNT HALF YOKE

Available w/ Solid  
or Glass Top



Front View

Side View



Backplate



St. James  
LIGHTING

SCALE: N.T.S.	DRAFT: Y. McCullough
FILE: NATG	APP'D: J. Ragan
JOB: X	DATE: 11/20/23

Lights are handcrafted.  
Dimensions may vary by 1/4"

B.T.U. Rating  
Natural Gas: 5460 B.T.U.  
Propane: 4160 B.T.U.