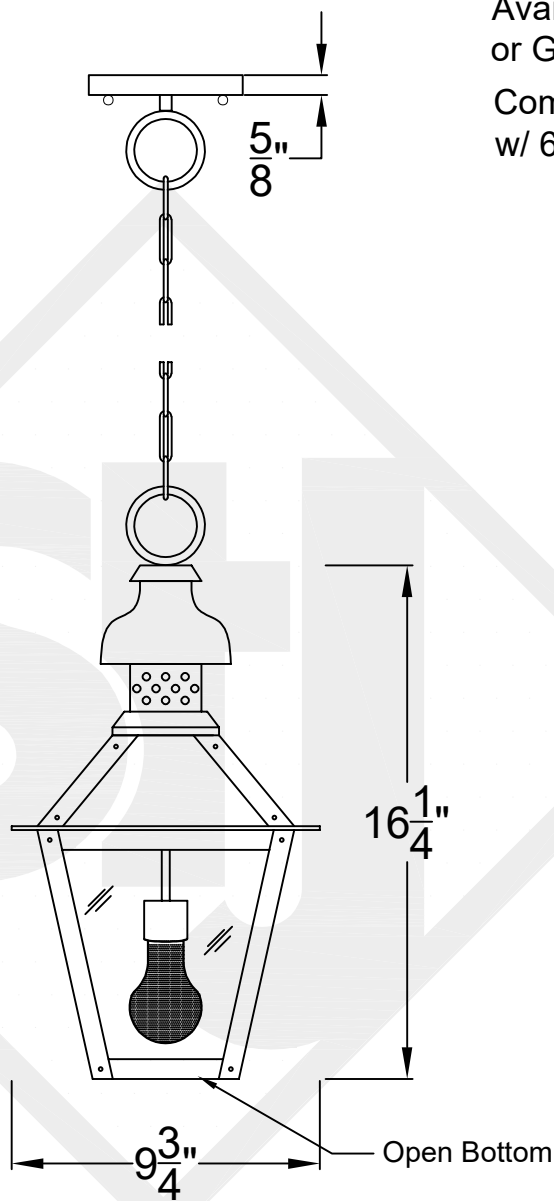


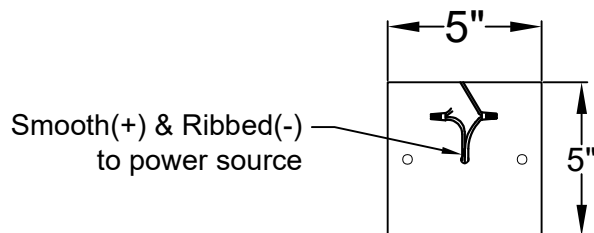
LOGAN MINI CHAIN HUNG PENDANT

Available w/ Solid
or Glass Top

Comes standard
w/ 6' of chain



Front View



Ceiling Mount



St. James
LIGHTING

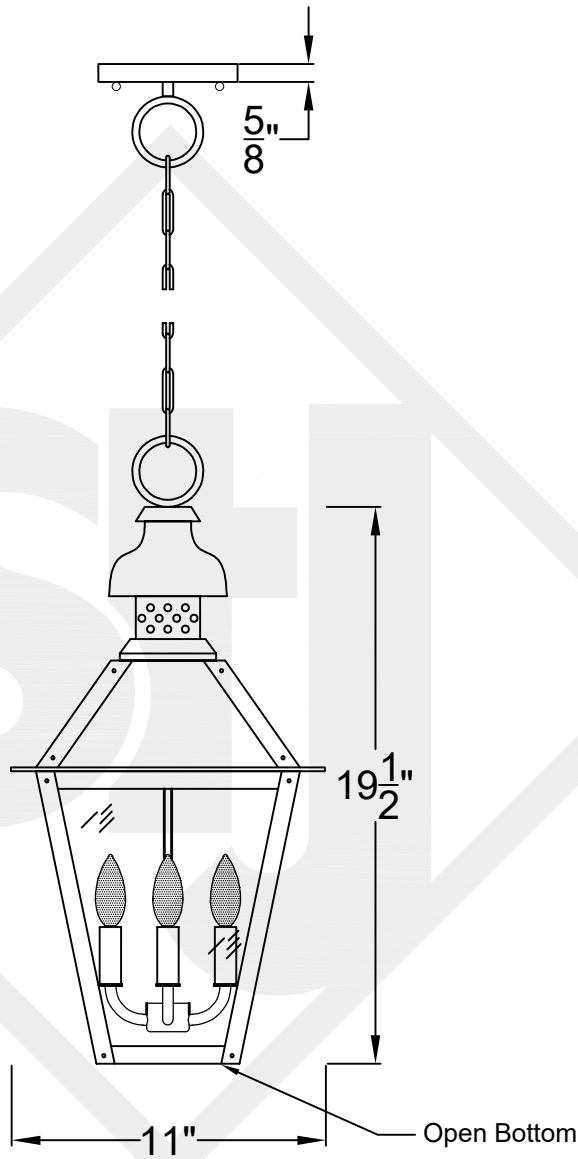
SCALE: N.T.S.	DRAFT: T. Herring
FILE: LOGMINI	APP'D: J. Ragan
JOB: X	DATE: 4-7-2023

Lights are handcrafted.
Dimensions may vary by 1/4"

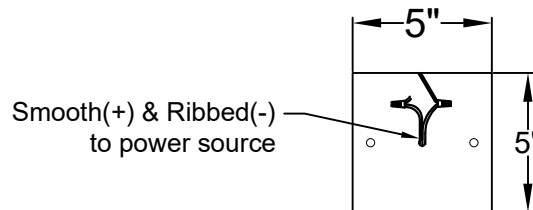
B.T.U. Rating
Natural Gas: 2730 B.T.U.
Propane: 2080 B.T.U.

LOGAN SMALL CHAIN HUNG PENDANT

Available w/ Solid
or Glass Top
Comes Standard
w/ 6' of chain



Front View



Ceiling Mount



St. James
LIGHTING

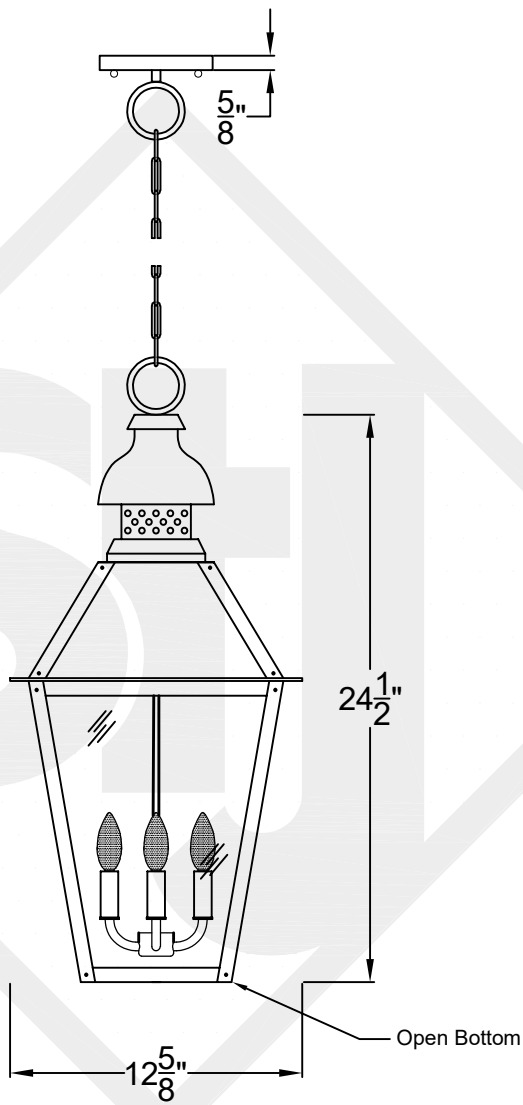
SCALE: N.T.S.	DRAFT: T. Herring
FILE: LOGS	APP'D: J. Ragan
JOB: X	DATE: 8-4-2023

Lights are handcrafted.
Dimensions may vary by 1/4"

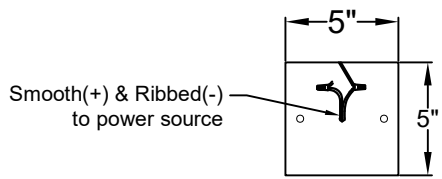
UL Certified
Candelabra- Max 60 Watt Bulb
Edison- Max 660 Watt Bulb

LOGAN MEDIUM CHAIN HUNG PENDANT

Available w/ Solid
or Glass Top
Comes Standard w/ 6'
of chain



Front View



Ceiling Mount



**St. James
LIGHTING**

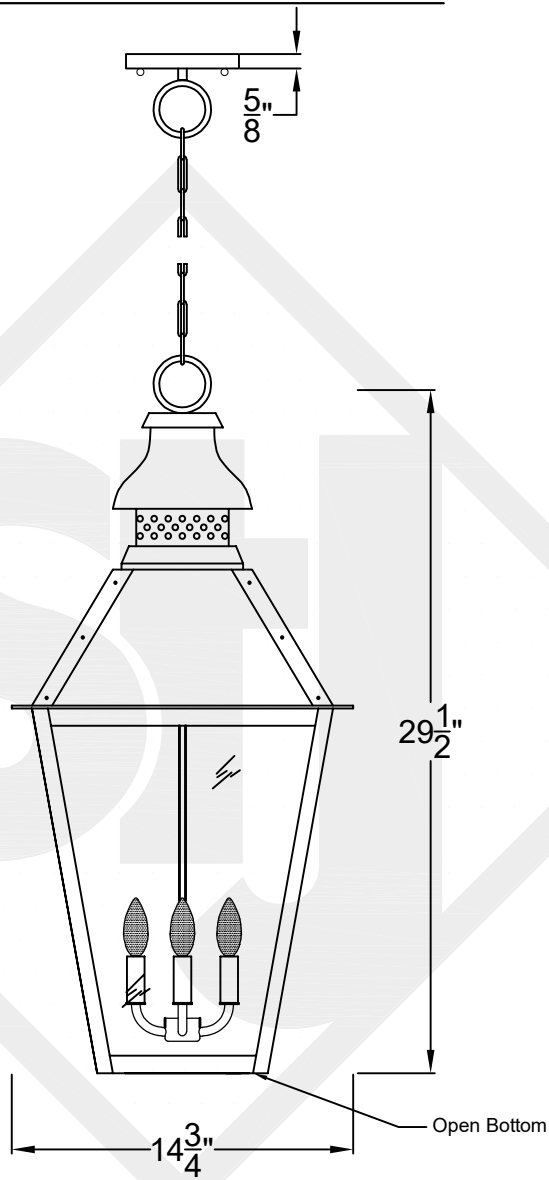
SCALE: N.T.S.	DRAFT: T. Herring
FILE: LOGM	APP'D: J. Ragan
JOB: X	DATE: 4-7-2023

Lights are handcrafted.
Dimensions may vary by 1/4"

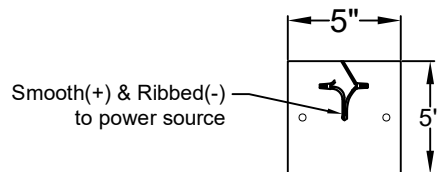
B.T.U. Rating
Natural Gas: 2730 B.T.U.
Propane: 2080 B.T.U.

LOGAN LARGE CHAIN HUNG PENDANT

Available w/ Solid
or Glass Top
Comes Standard w/ 6'
of chain



Front View



Ceiling Mount



St. James
LIGHTING

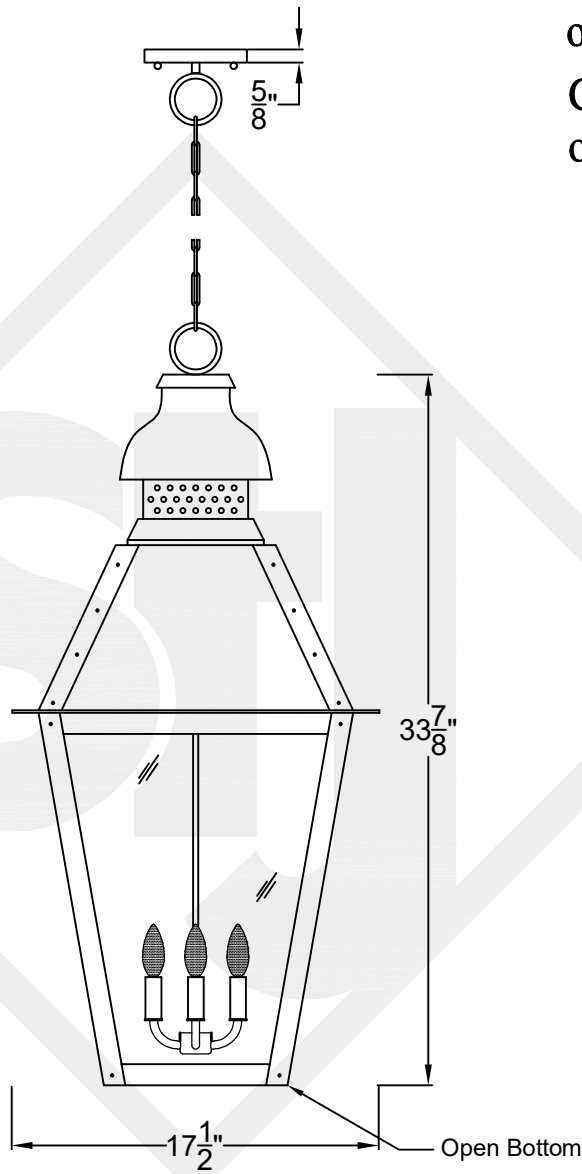
SCALE: N.T.S.	DRAFT: T. Herring
FILE: LOGL	APP'D: J. Ragan
JOB: X	DATE: 3-6-2023

Lights are handcrafted.
Dimensions may vary by 1/4"

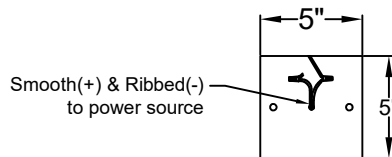
UL Certified
Candelabra- Max 60 Watt Bulb
Edison- Max 660 Watt Bulb

LOGAN GRANDE CHAIN HUNG PENDANT

Available w/ Solid
or Glass Top
Comes Standard w/ 6'
of chain



Front View



Ceiling Mount



St. James
LIGHTING

SCALE: N.T.S.	DRAFT: T. Herring
FILE: LOGG	APP'D: J. Ragan
JOB: X	DATE: 4-7-2023

Lights are handcrafted.
Dimensions may vary by 1/4"

UL Certified
Candelabra- Max 60 Watt Bulb
Edison- Max 660 Watt Bulb