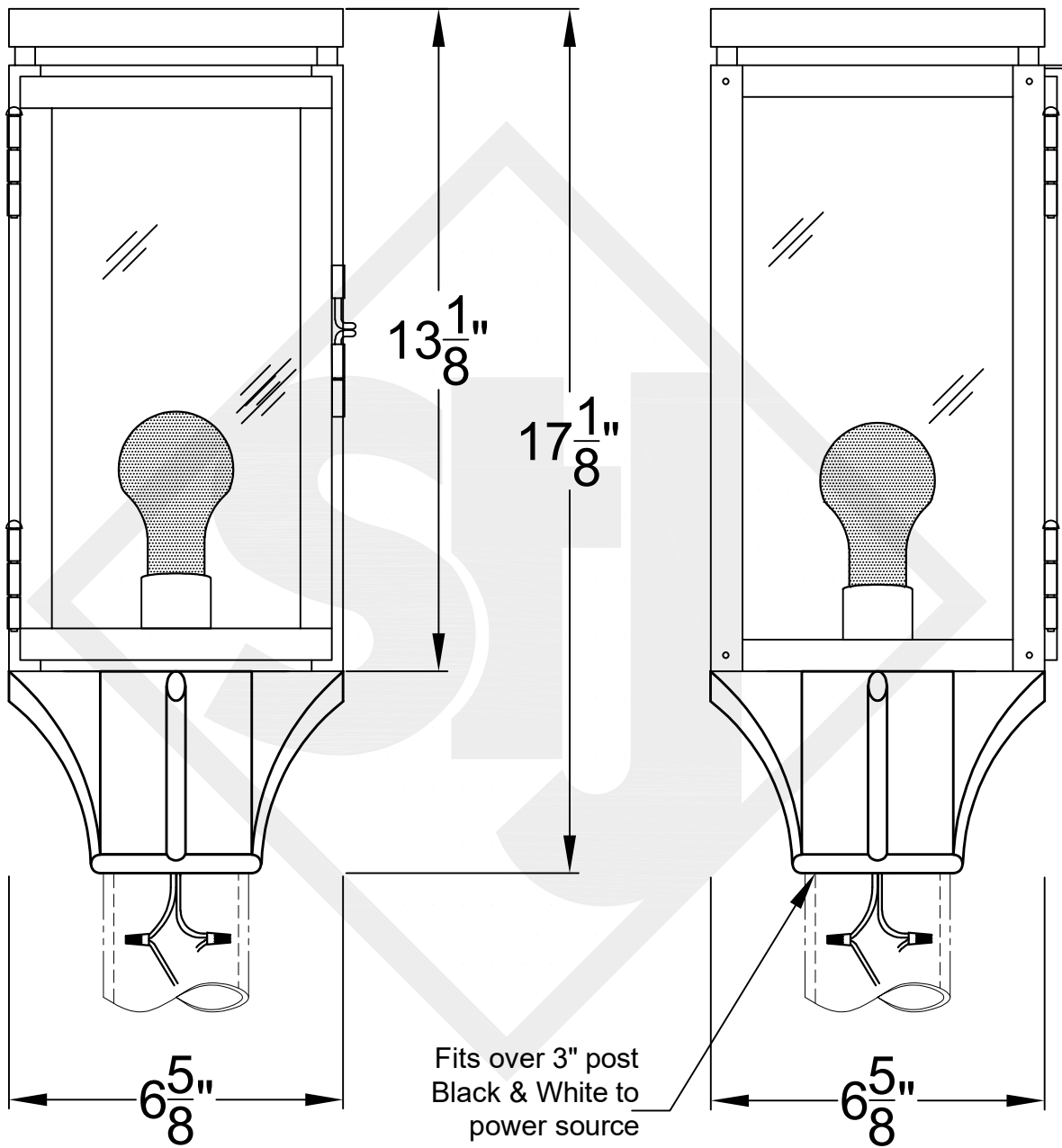


FRISCO MINI COPPER POST MOUNT



Front View

Side View



St. James
LIGHTING

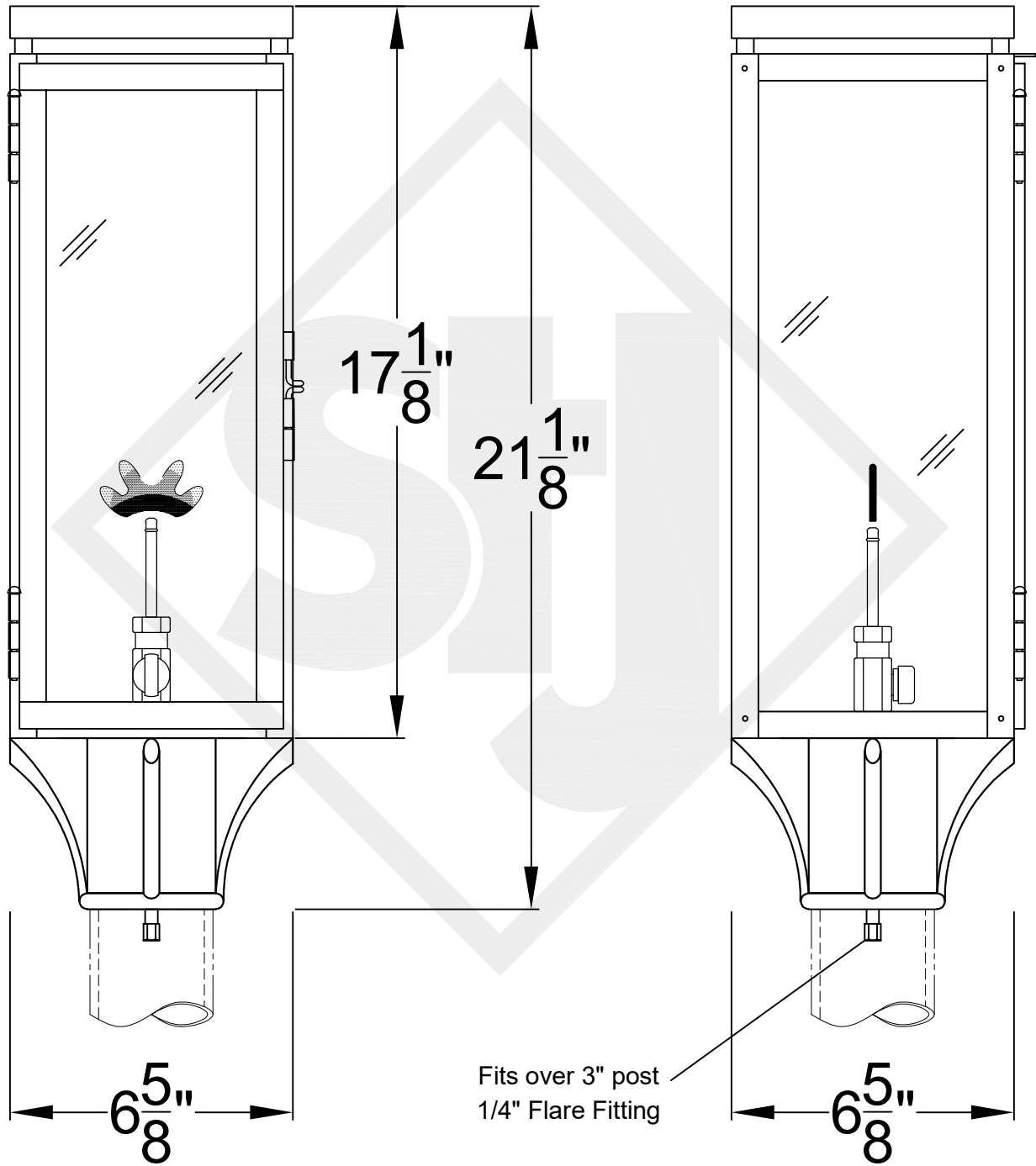
SCALE: N.T.S.	DRAFT: Y. McCullough
FILE: FRIMINI	APP'D: J. Ragan
JOB: X	DATE: 11/20/23

Lights are handcrafted.
Dimensions may vary by 1/4"

Mini not Available in Gas

UL Certified
Candelabra- Max 60 Watt Bulb
Edison- Max 660 Watt Bulb

FRISCO SMALL COPPER POST MOUNT



Front View

Side View



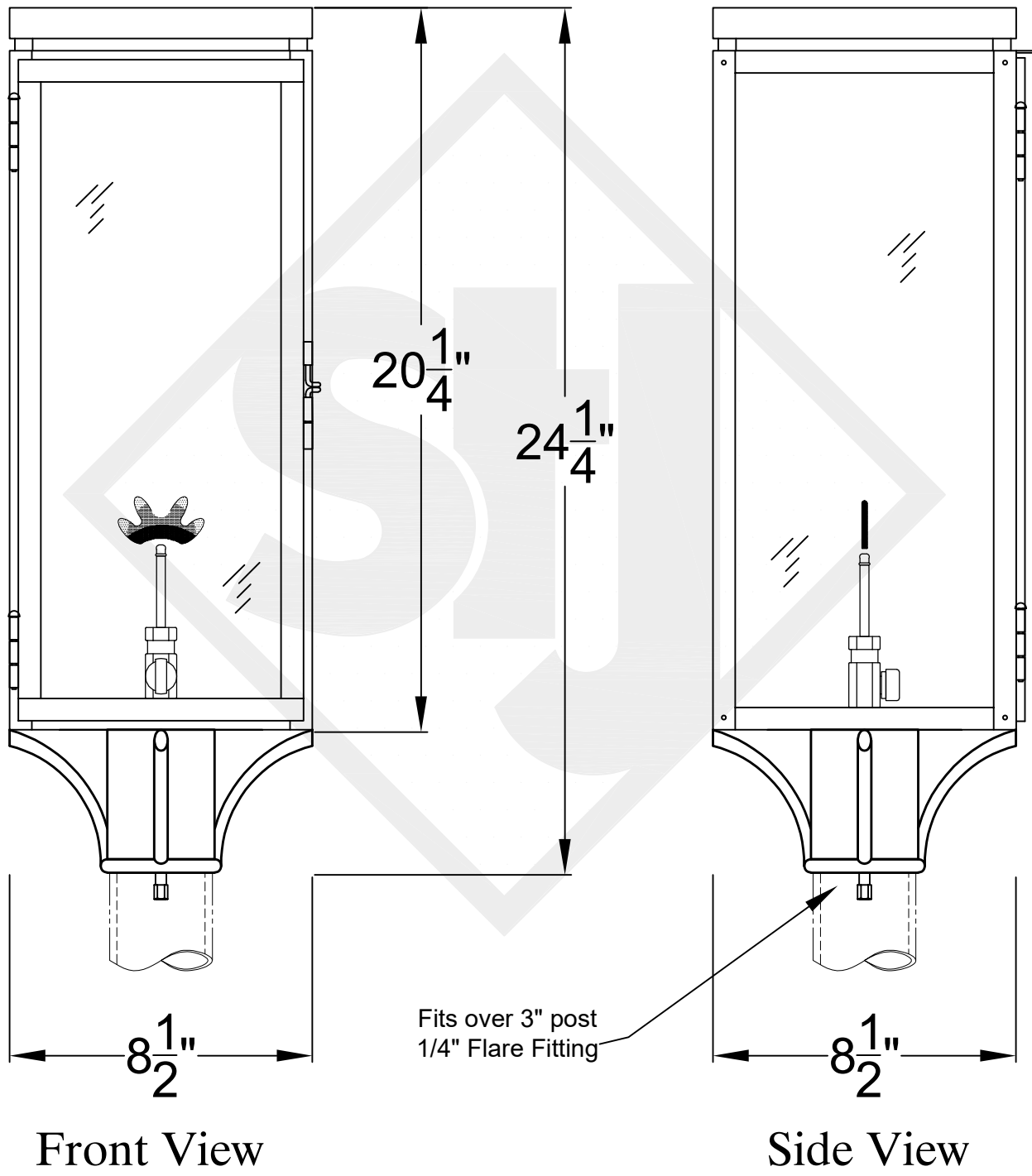
St. James
LIGHTING

SCALE: N.T.S.	DRAFT: Y. McCullough
FILE: FRIS	APP'D: J. Ragan
JOB: X	DATE: 11/20/23

Lights are handcrafted.
Dimensions may vary by 1/4"

B.T.U. Rating
Natural Gas: 2730 B.T.U.
Propane: 2080 B.T.U.

FRISCO MEDIUM COPPER POST MOUNT



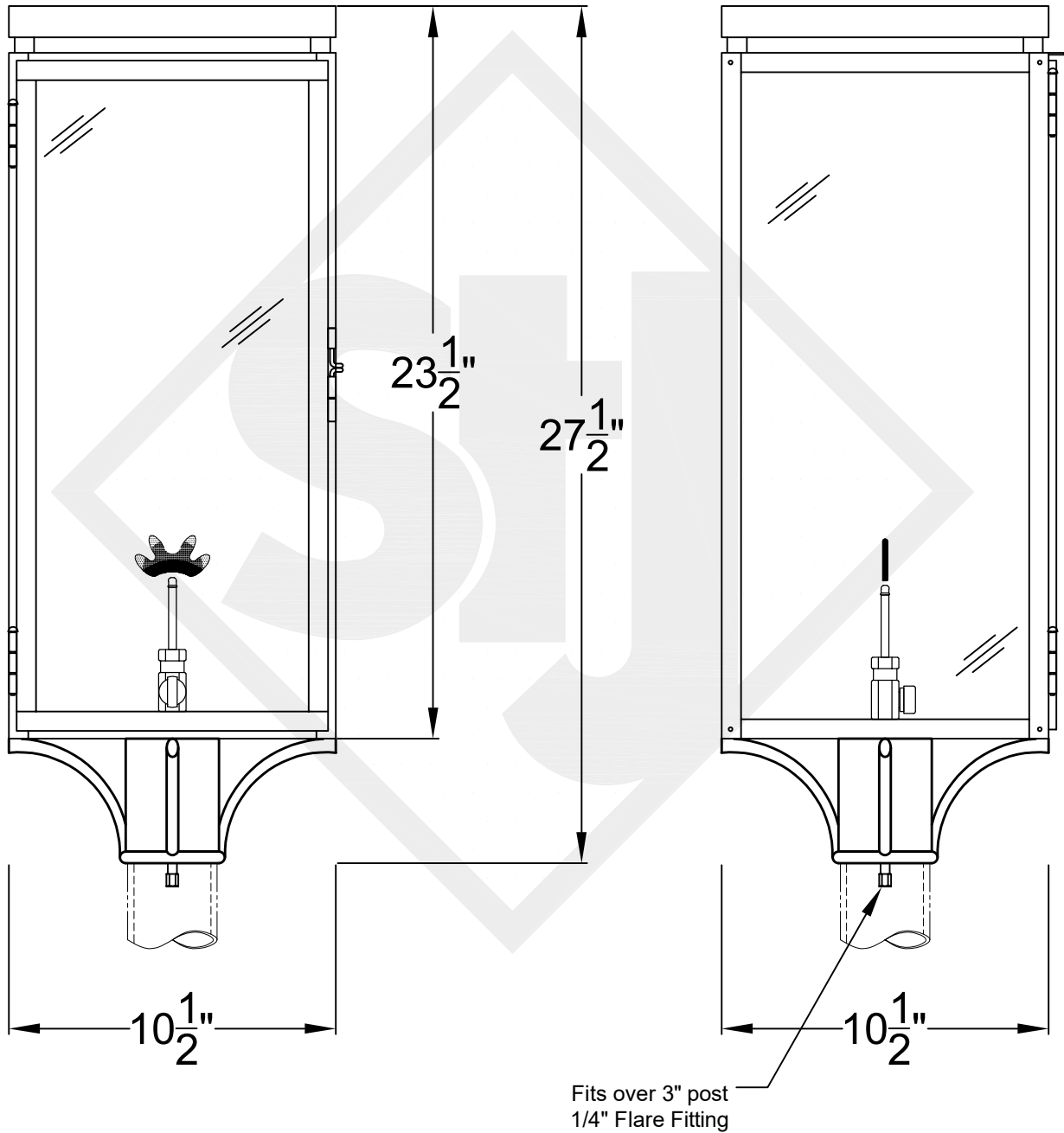
St. James
LIGHTING

SCALE: N.T.S.	DRAFT: Y. McCullough
FILE: FRIM	APP'D: J. Ragan
JOB: X	DATE: 11/20/23

Lights are handcrafted.
Dimensions may vary by 1/4"

B.T.U. Rating
Natural Gas: 2730 B.T.U.
Propane: 2080 B.T.U.

FRISCO LARGE COPPER POST MOUNT



Front View

Side View



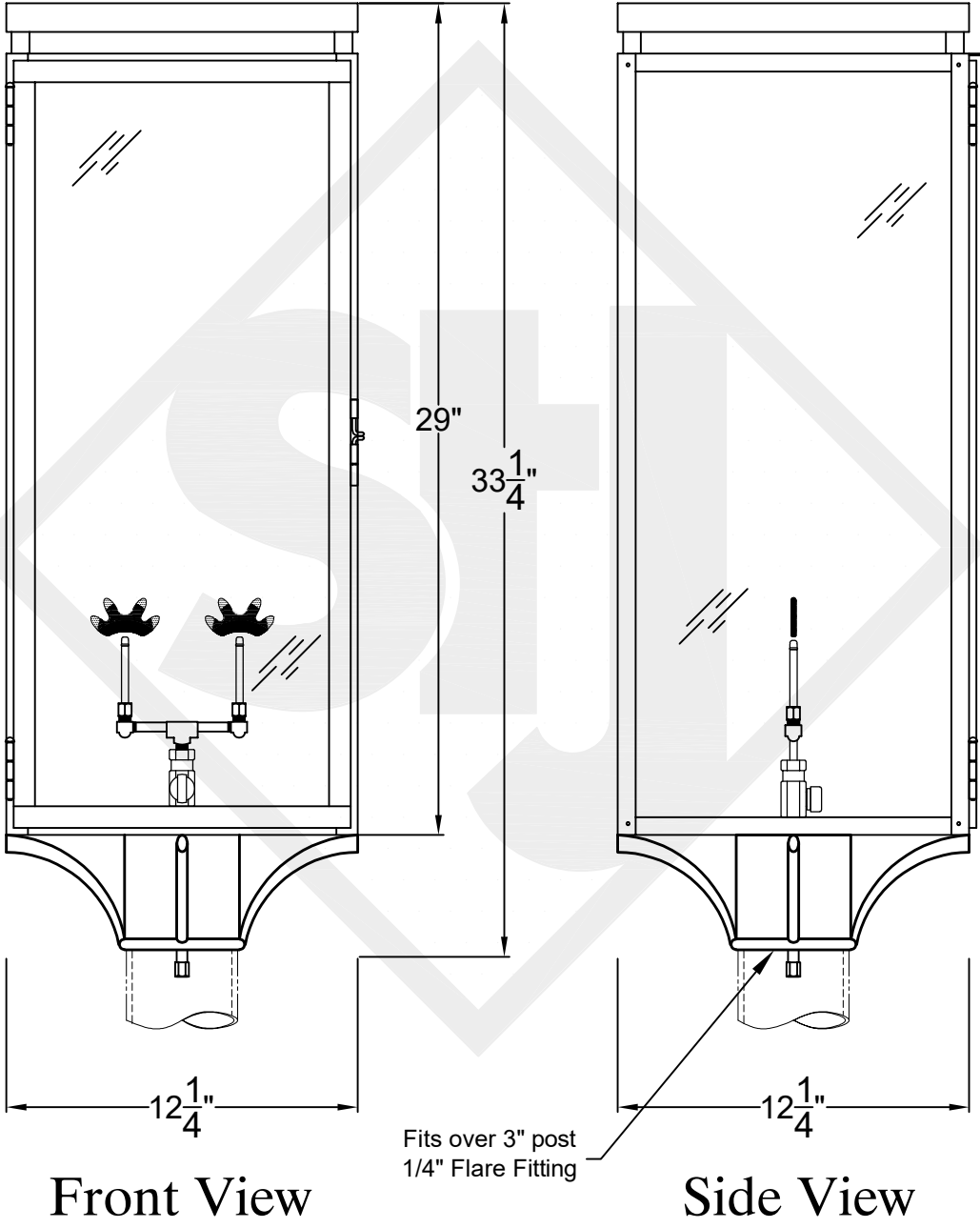
St. James
LIGHTING

SCALE: N.T.S.	DRAFT: Y. McCullough
FILE: FRIL	APP'D: J. Ragan
JOB: X	DATE: 11/20/23

Lights are handcrafted.
Dimensions may vary by 1/4"

B.T.U. Rating
Natural Gas: 2730 B.T.U.
Propane: 2080 B.T.U.

FRISCO GRANDE COPPER POST MOUNT



**St. James
LIGHTING**

SCALE: N.T.S.	DRAFT: Y. McCullough
FILE: FRIG	APP'D: J. Ragan
JOB: X	DATE: 2/9/24

Lights are handcrafted.
Dimensions may vary by 1/4"

B.T.U. Rating
Natural Gas: 5460 B.T.U.
Propane: 4160 B.T.U.