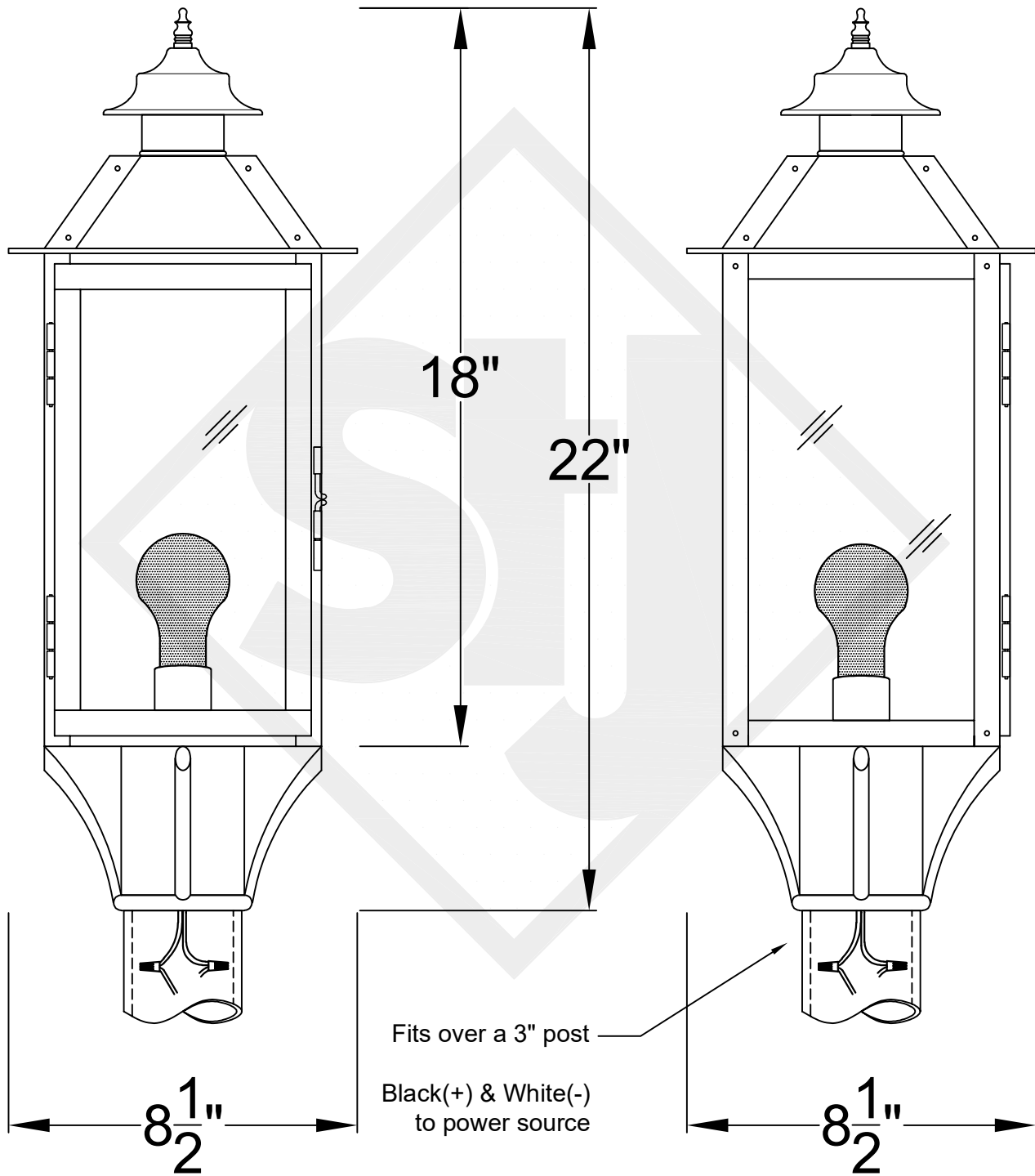


# SWEET WATER MINI COPPER POST MOUNT

Available w/ Solid  
or Glass Top



Front View

Side View



St. James  
LIGHTING

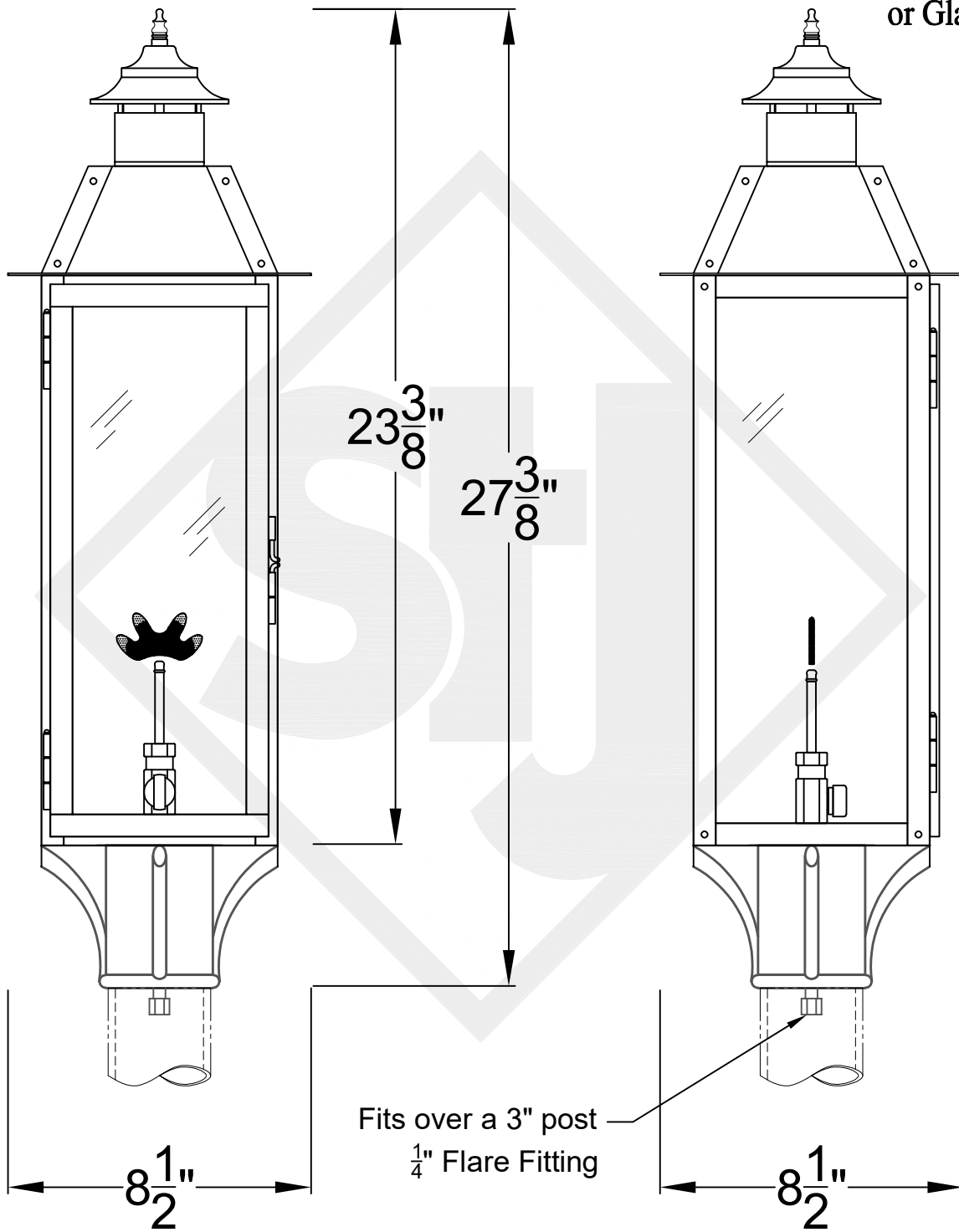
SCALE: N.T.S.      DRAFT: Y. McCullough  
FILE: SWEMINI      APP'D: J. Ragan  
JOB: X      DATE: 12/6/23

Lights are handcrafted.  
Dimensions may vary by 1/4"

Mini not Available in Gas  
UL Certified  
Candelabra- Max 60 Watt Bulb  
Edison- Max 660 Watt Bulb

# SWEET WATER SMALL COPPER POST MOUNT

Available w/ Solid  
or Glass Top



Front View

Side View



St. James  
LIGHTING

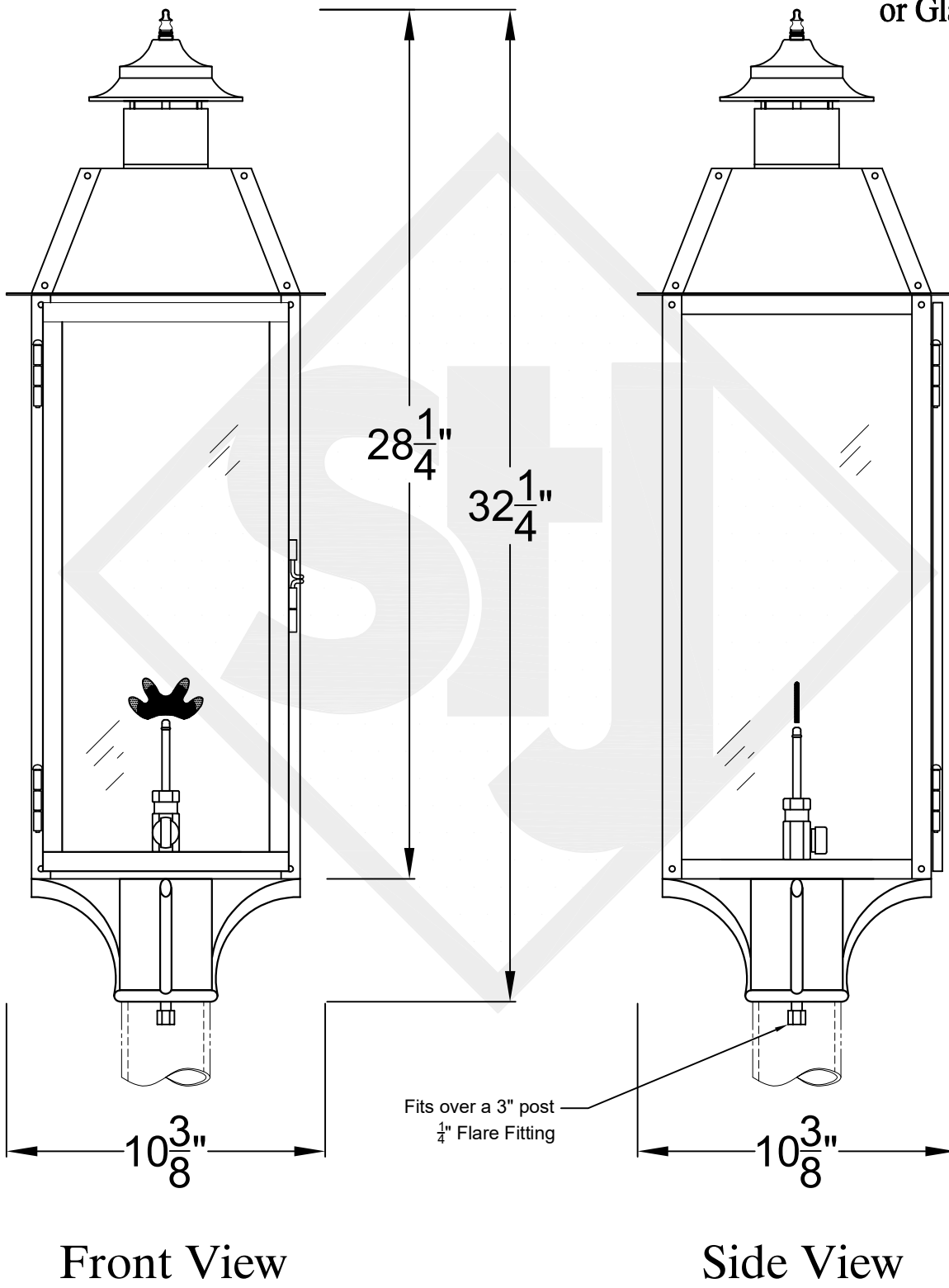
SCALE: N.T.S.	DRAFT: Y. McCullough
FILE: SWES	APP'D: J. Ragan
JOB: X	DATE: 1/5/24

Lights are handcrafted.  
Dimensions may vary by 1/4"

B.T.U. Rating  
Natural Gas: 2730 B.T.U.  
Propane: 2080 B.T.U.

# SWEET WATER MEDIUM COPPER POST MOUNT

Available w/ Solid  
or Glass Top



St. James  
LIGHTING

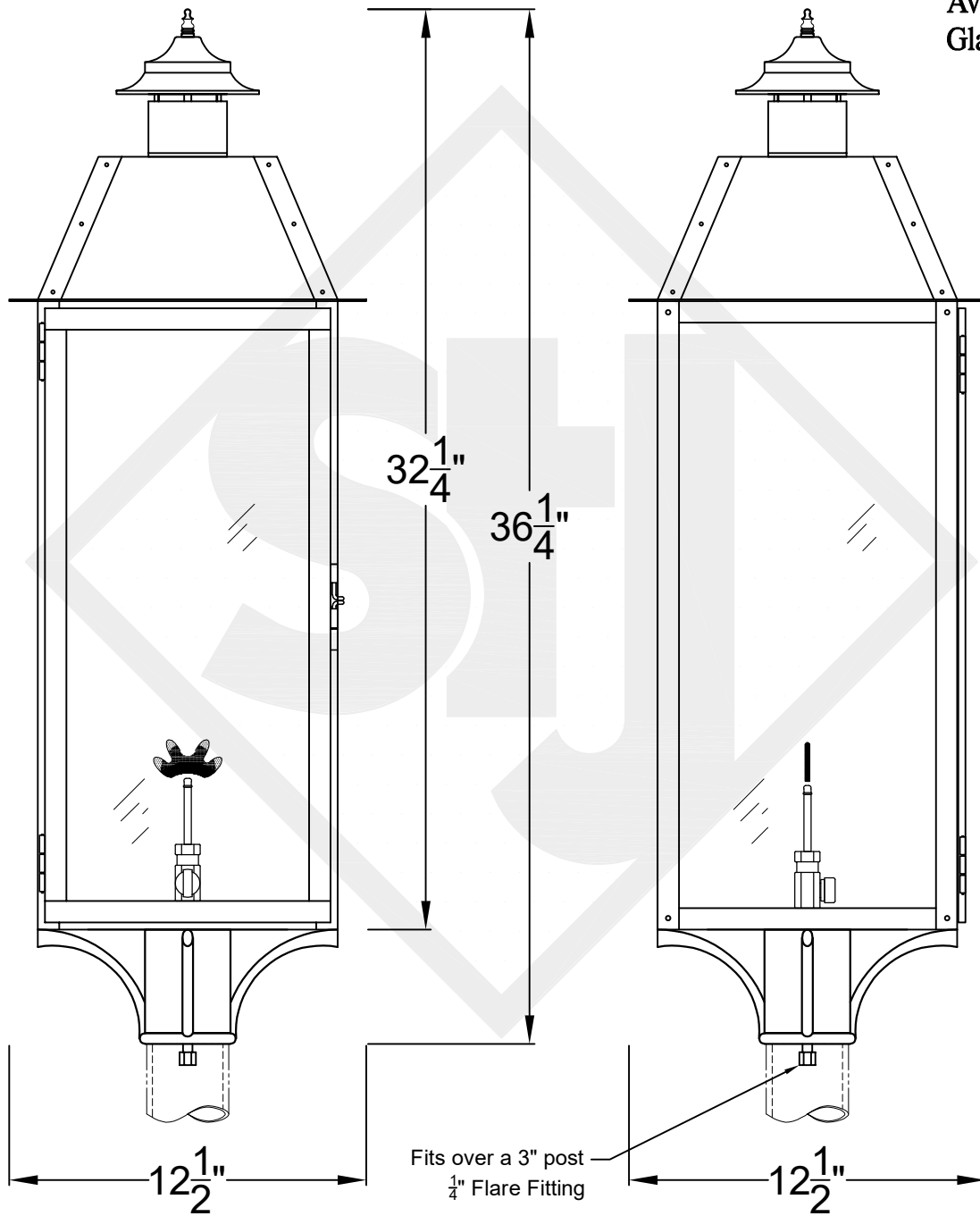
SCALE: N.T.S.	DRAFT: Y. McCullough
FILE: SWEM	APP'D: J. Ragan
JOB: X	DATE: 1/9/24

Lights are handcrafted.  
Dimensions may vary by 1/4"

B.T.U. Rating  
Natural Gas: 2730 B.T.U.  
Propane: 2080 B.T.U.

# SWEET WATER LARGE COPPER POST MOUNT

Available w/ Solid or  
Glass Top



Front View

Side View



**St. James  
LIGHTING**

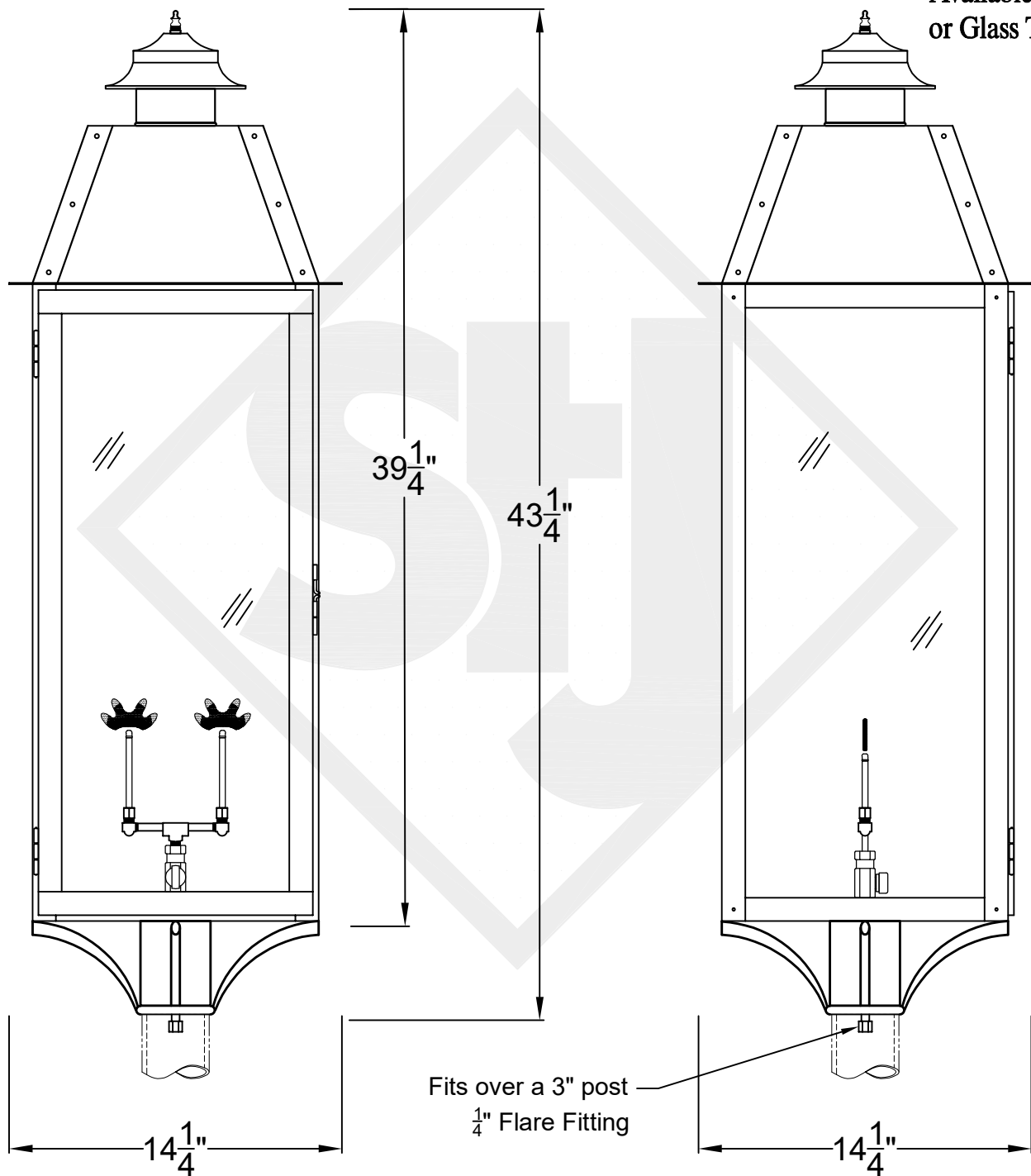
SCALE: N.T.S.	DRAFT: Y. McCullough
FILE: SWEL	APP'D: J. Ragan
JOB: X	DATE: 1/9/24

Lights are handcrafted.  
Dimensions may vary by 1/4"

B.T.U. Rating  
Natural Gas: 2730 B.T.U.  
Propane: 2080 B.T.U.

# SWEET WATER GRANDE COPPER POST MOUNT

Available w/ Solid  
or Glass Top



Front View

Side View



St. James  
LIGHTING

SCALE: N.T.S.	DRAFT: Y. McCullough
FILE: SWEG	APP'D: J. Ragan
JOB: X	DATE: 12/6/23

Lights are handcrafted.  
Dimensions may vary by 1/4"

B.T.U. Rating  
Natural Gas: 5460 B.T.U.  
Propane: 4160 B.T.U.