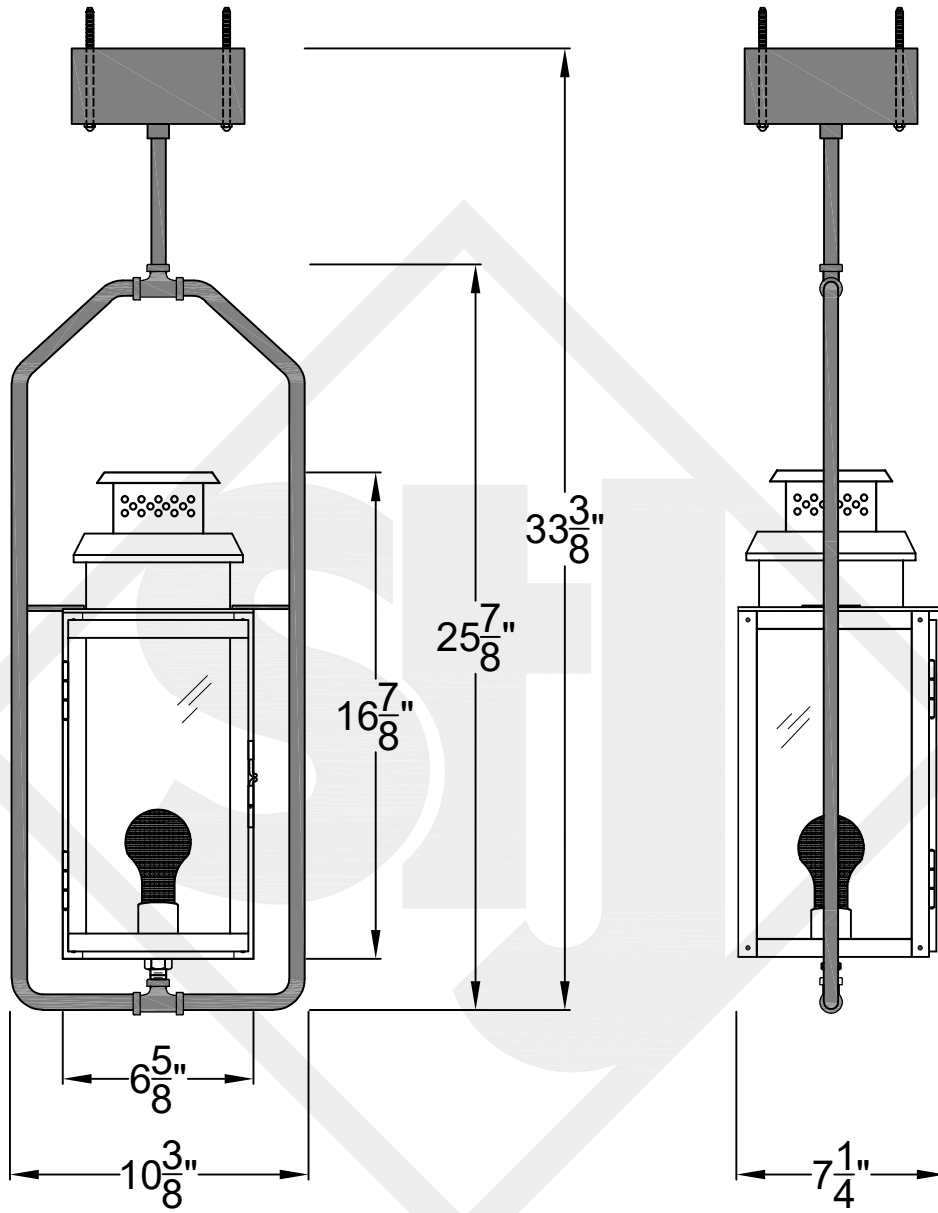


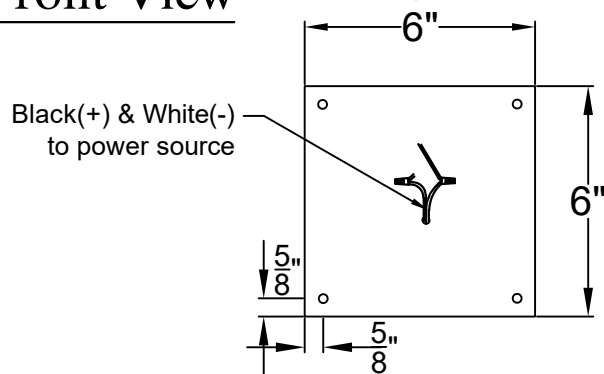
CHICAGO MINI CEILING MOUNT FULL YOKE

Shortest Height 30"



Front View

Side View



Ceiling Mount



St. James
LIGHTING

SCALE: N.T.S. DRAFT: Y. McCullough
FILE: CHIMINI APP'D: J. Ragan
JOB: X DATE: 11/18/23

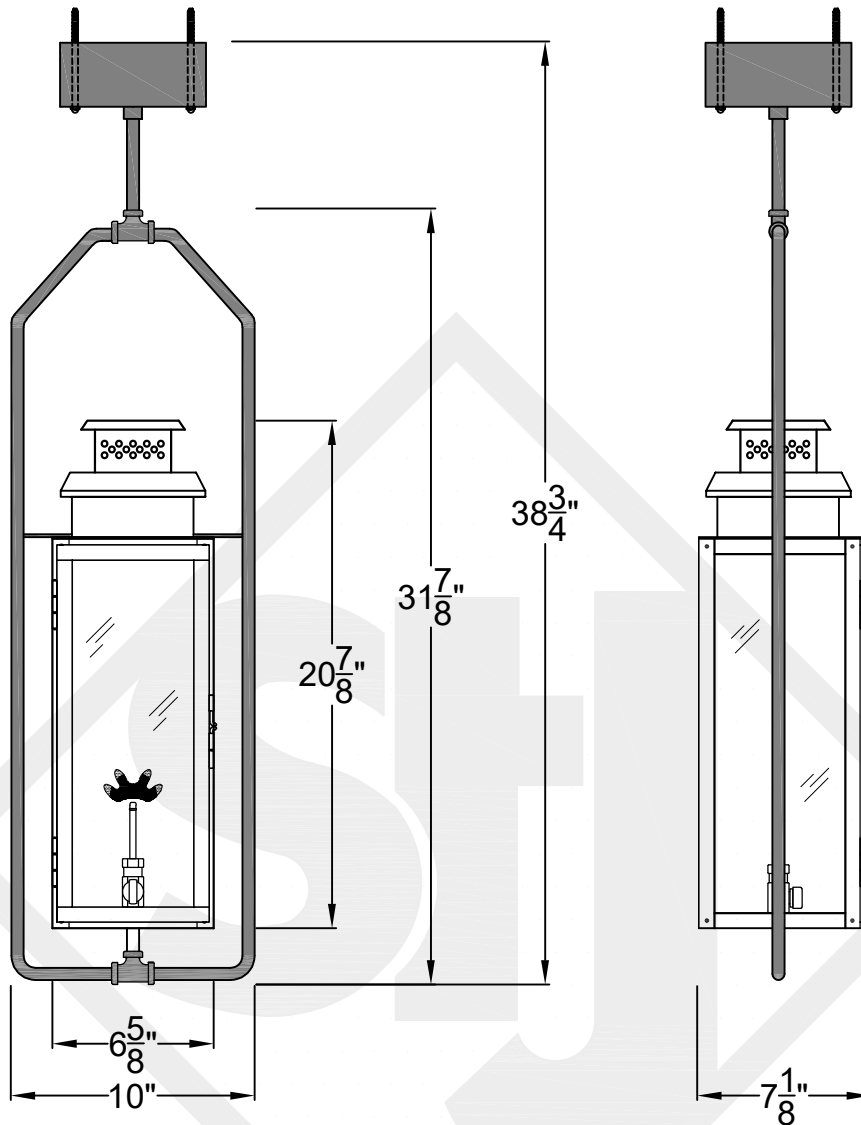
Lights are handcrafted.
Dimensions may vary by 1/4"

UL Certified
Candelabra- Max 60 Watt Bulb
Edison- Max 660 Watt Bulb

Mini not Available in Gas

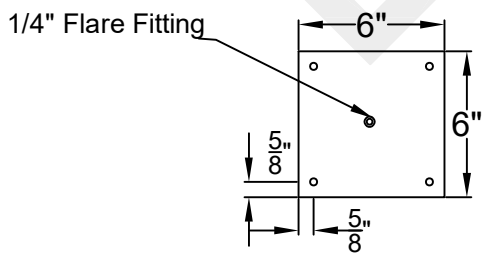
CHICAGO SMALL CEILING MOUNT FULL YOKE

Shortest Height 35 $\frac{1}{2}$ "



Front View

Side View



Ceiling Mount



St. James
LIGHTING

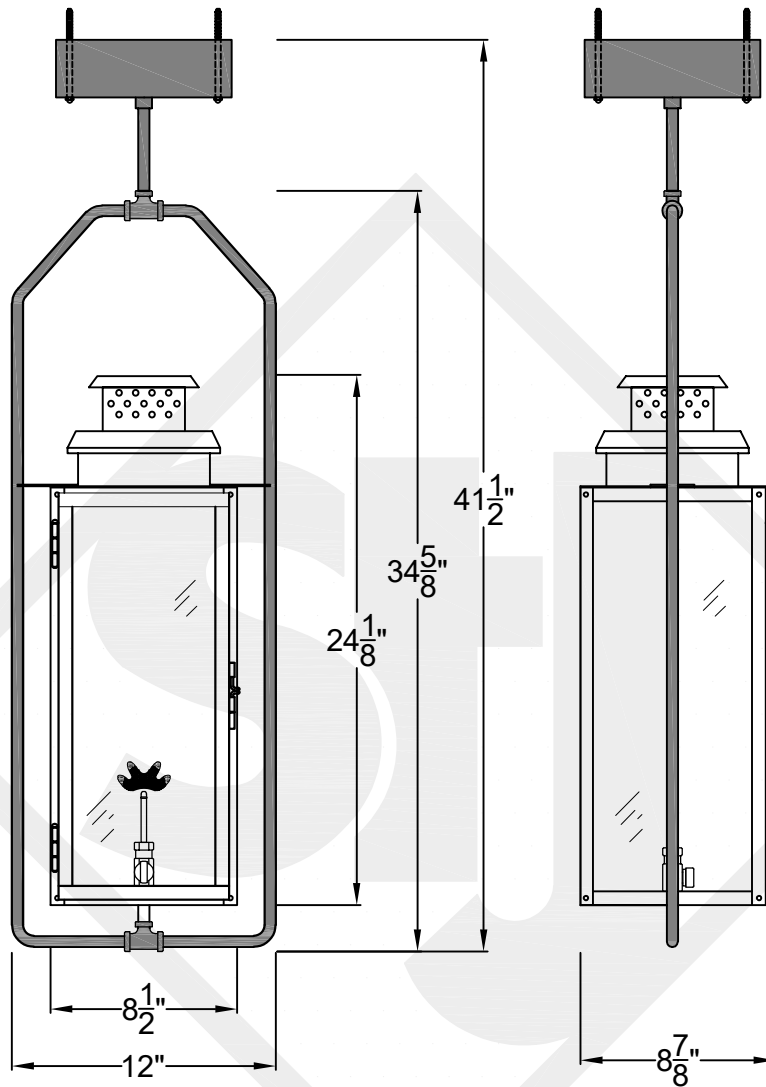
SCALE: N.T.S.	DRAFT: Y. McCullough
FILE: CHIS	APP'D: J. Ragan
JOB: X	DATE: 11/18/23

Lights are handcrafted.
Dimensions may vary by 1/4"

B.T.U. Rating
Natural Gas: 2730 B.T.U.
Propane: 2080 B.T.U.

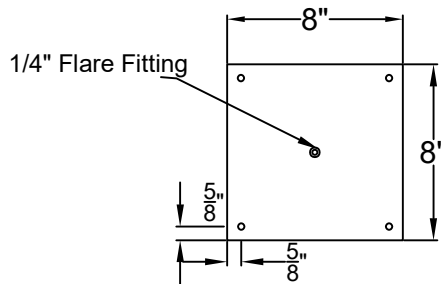
CHICAGO MEDIUM CEILING MOUNT FULL YOKE

Shortest Height 38 $\frac{1}{4}$ "



Front View

Side View



Ceiling Mount



**St. James
LIGHTING**

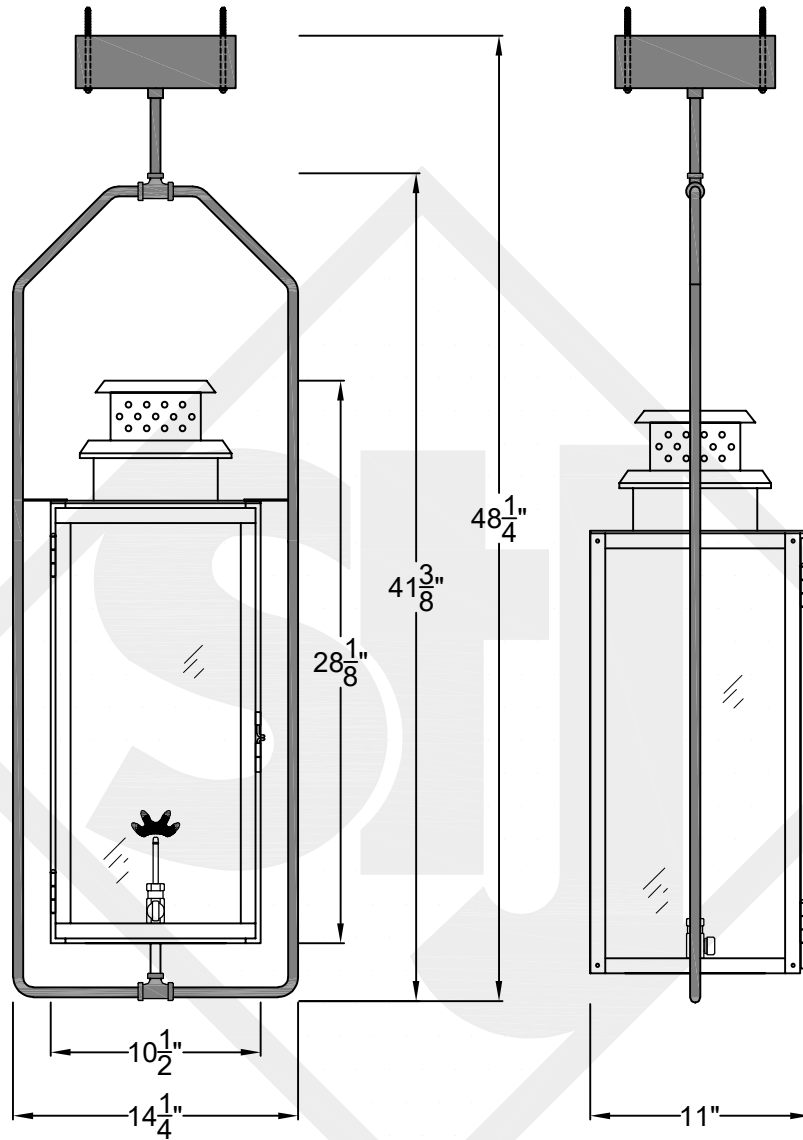
SCALE: N.T.S.	DRAFT: Y. McCullough
FILE: CHIM	APP'D: J. Ragan
JOB: X	DATE: 11/18/23

Lights are handcrafted.
Dimensions may vary by 1/4"

B.T.U. Rating
Natural Gas: 2730 B.T.U.
Propane: 2080 B.T.U.

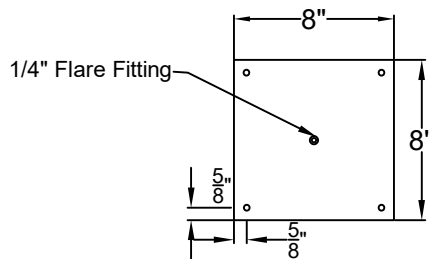
CHICAGO LARGE CEILING MOUNT FULL YOKE

Shortest Height 45"



Front View

Side View



Ceiling Mount



St. James
LIGHTING

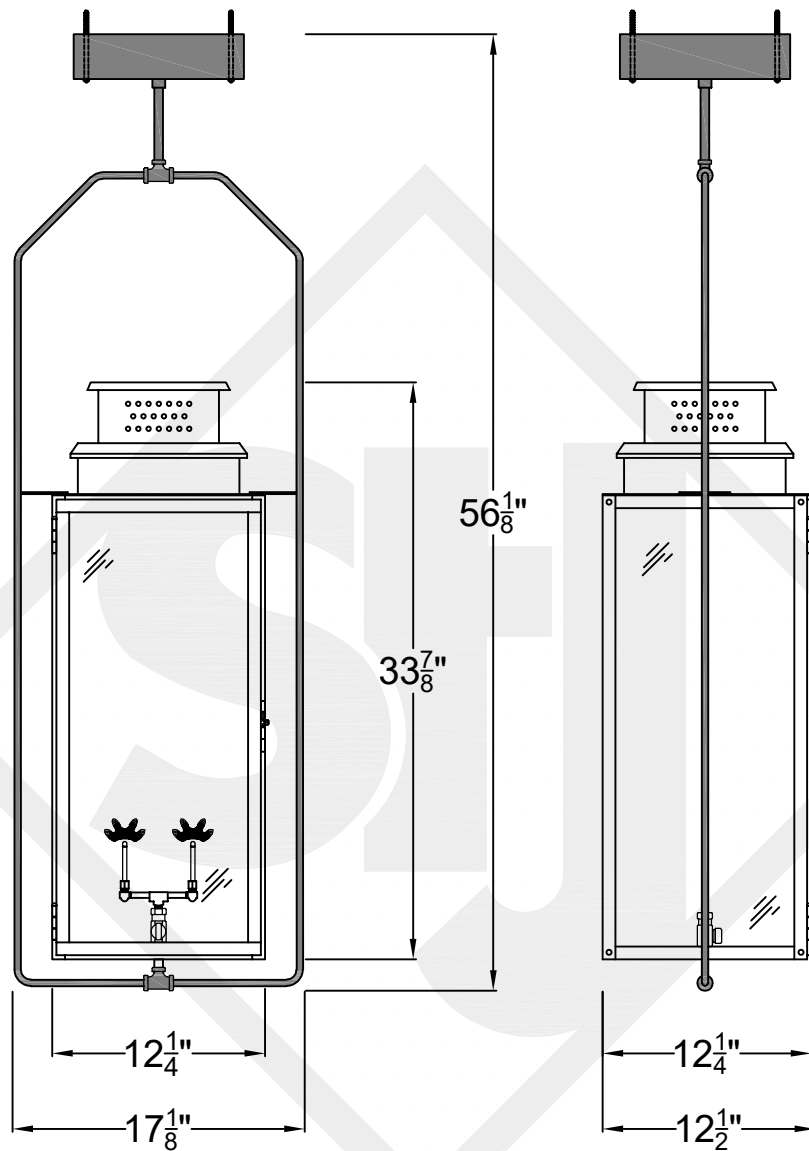
SCALE: N.T.S.	DRAFT: Y. McCullough
FILE: CHIL	APP'D: J. Ragan
JOB: X	DATE: 11/18/23

Lights are handcrafted.
Dimensions may vary by 1/4"

B.T.U. Rating
Natural Gas: 2730 B.T.U.
Propane: 2080 B.T.U.

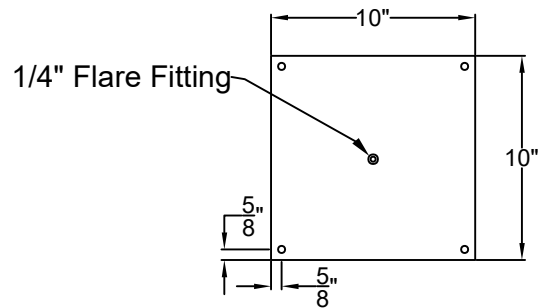
CHICAGO GRANDE CEILING MOUNT FULL YOKE

Shortest Height $52\frac{7}{8}$ "




Front View

Side View



Ceiling Mount

	St. James LIGHTING
SCALE: N.T.S.	DRAFT: Y. McCullough
FILE: CHIG	APP'D: J. Ragan
JOB: X	DATE: 11/18/23

Lights are handcrafted.
Dimensions may vary by 1/4"

B.T.U. Rating
Natural Gas: 5460 B.T.U.
Propane: 4160 B.T.U.