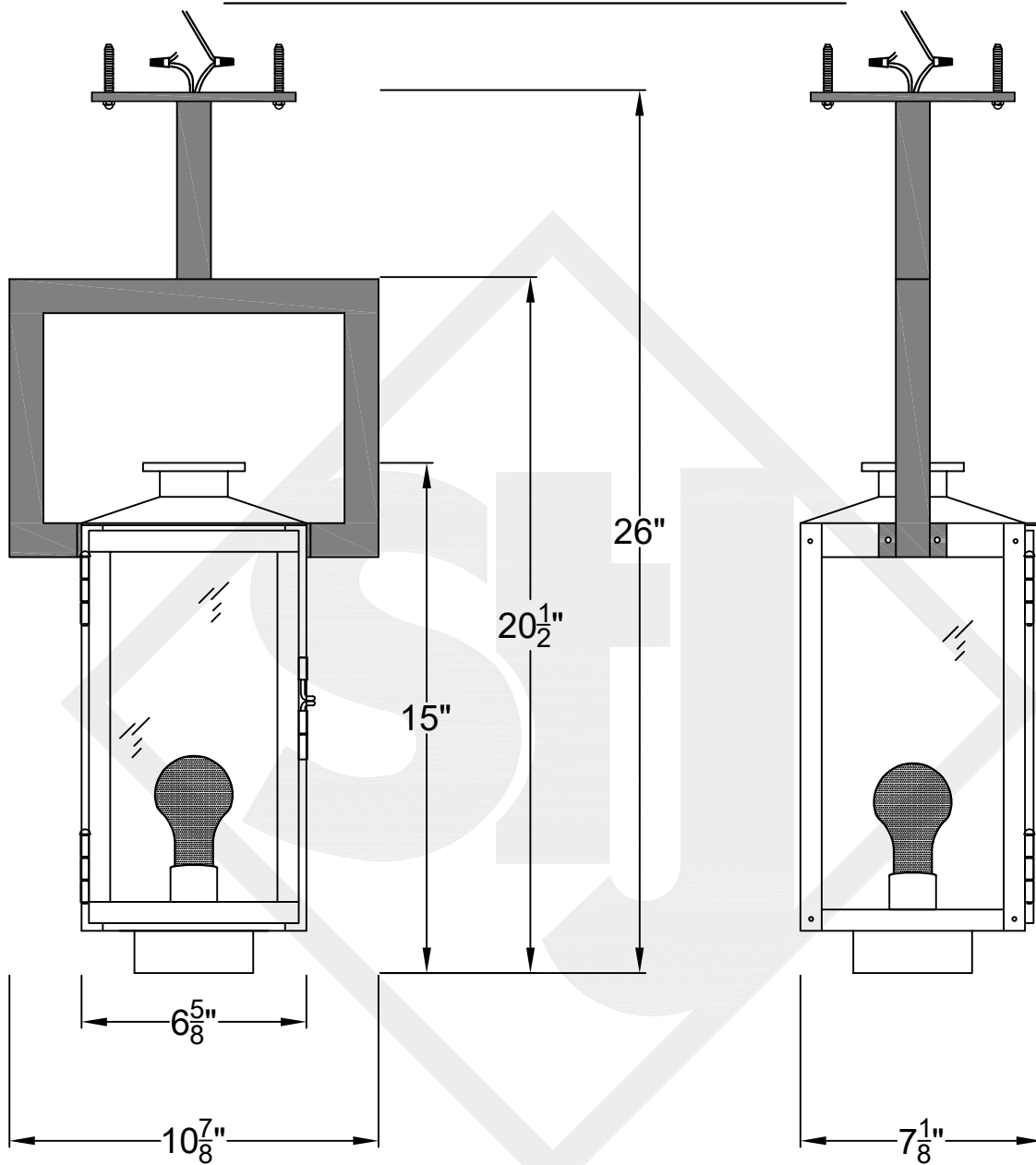


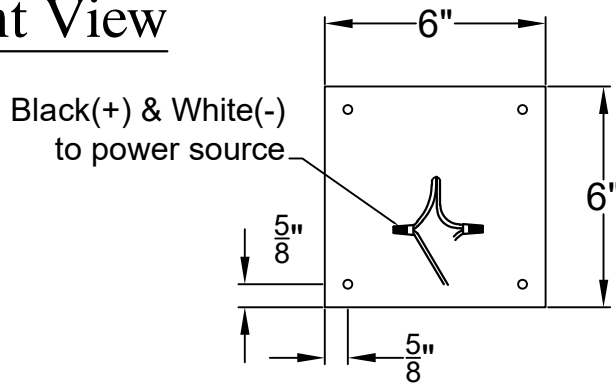
# OXFORD MINI CEILING MOUNT HALF YOKE

Shortest Height 21 <sup>3</sup>/<sub>4</sub>"



Front View

Side View



## Ceiling Mount



St. James  
LIGHTING

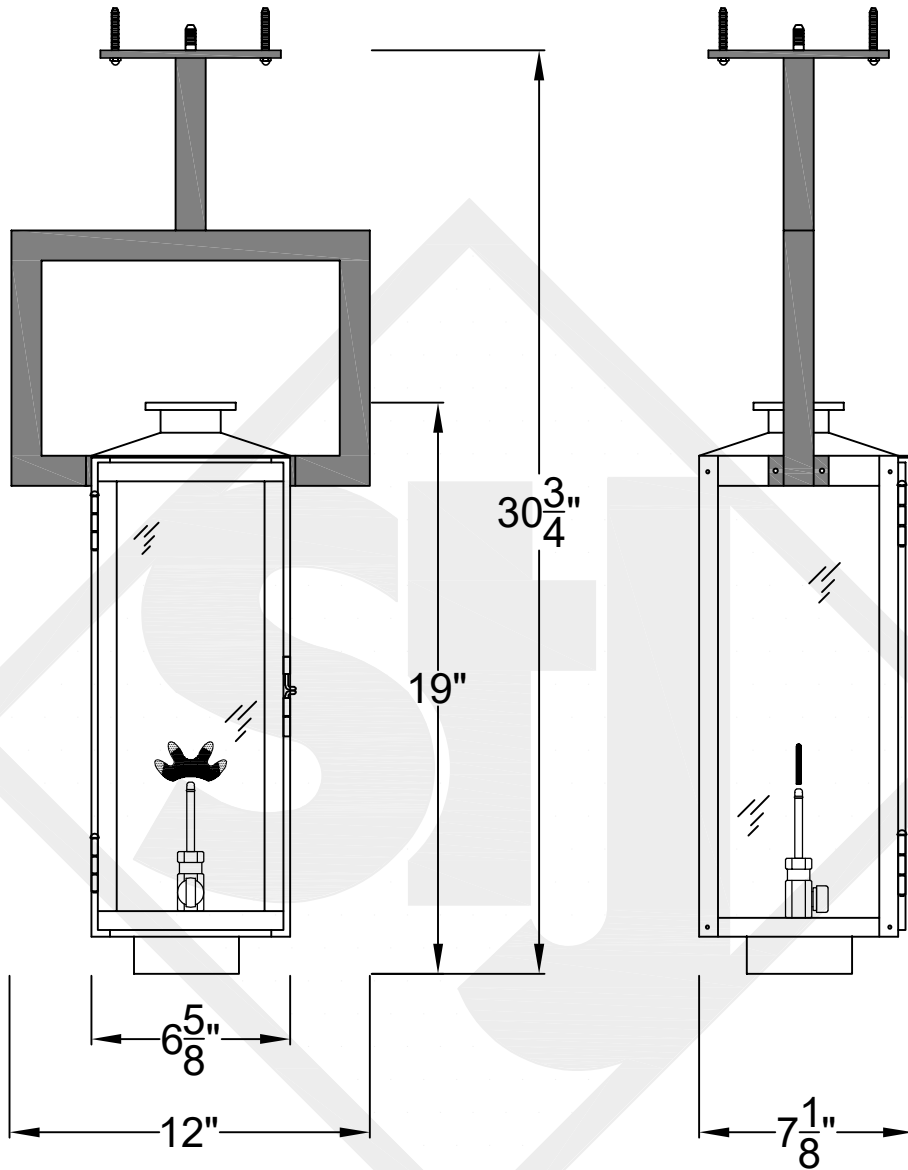
SCALE: N.T.S.	DRAFT: Y. McCullough
FILE: OXFMINI	APP'D: J. Ragan
JOB: X	DATE: 11/29/23

Lights are handcrafted.  
Dimensions may vary by 1/4"

UL Certified  
Candelabra- Max 60 Watt Bulb  
Edison- Max 660 Watt Bulb

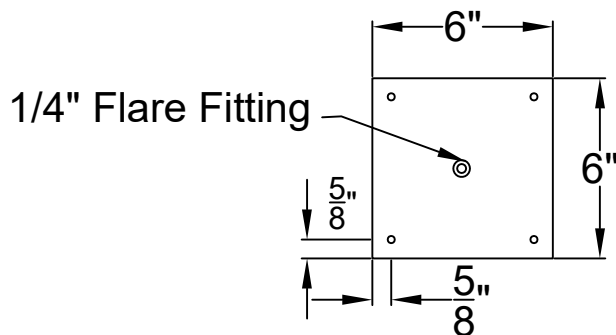
# OXFORD SMALL CEILING MOUNT HALF YOKE

Shortest Height 30 <sup>3</sup>/<sub>4</sub>"



Front View

Side View



Ceiling Mount



St. James  
LIGHTING

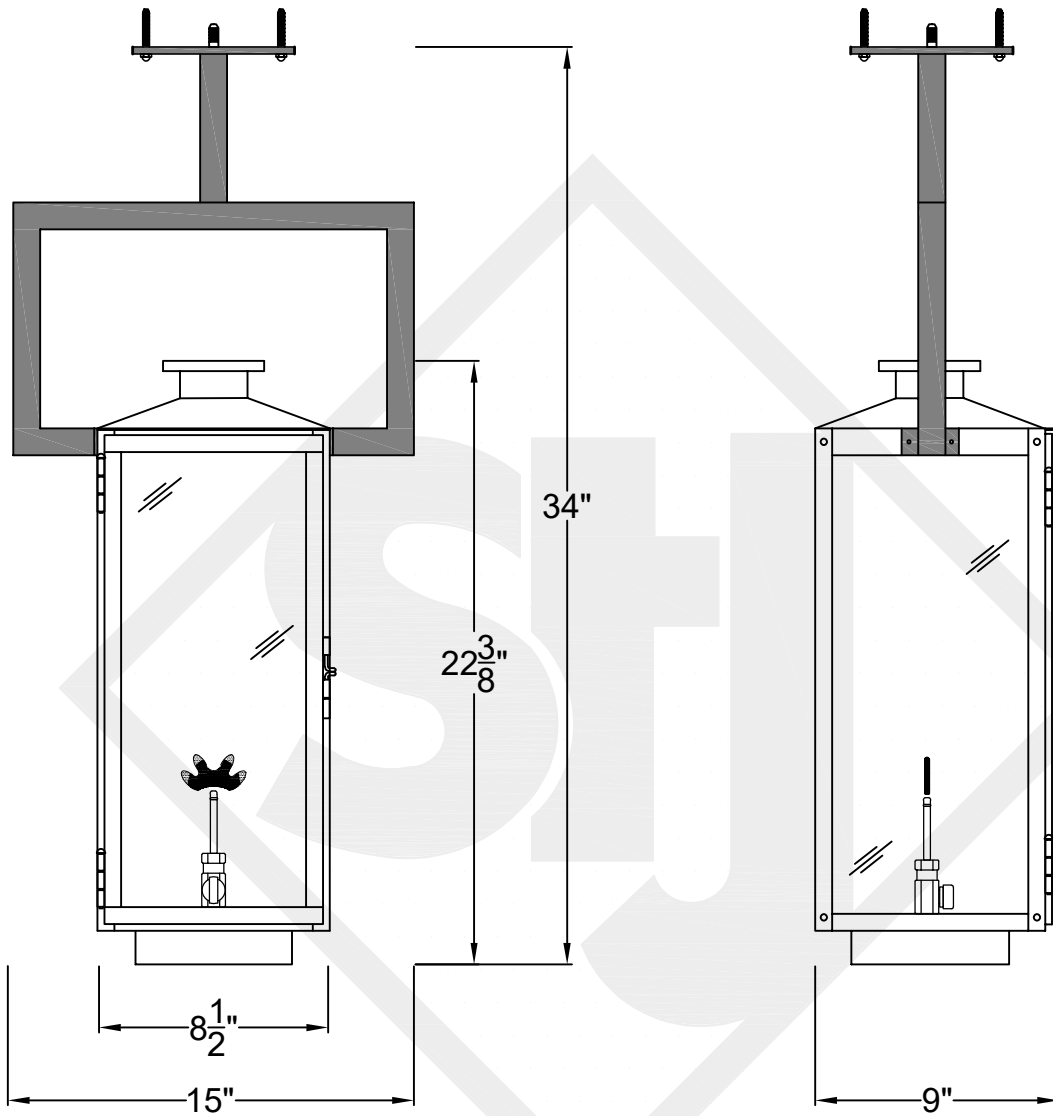
SCALE: N.T.S.	DRAFT: Y. McCullough
FILE: OXFS	APP'D: J. Ragan
JOB: X	DATE: 11/29/23

Lights are handcrafted.  
Dimensions may vary by 1/4"

B.T.U. Rating  
Natural Gas: 2730 B.T.U.  
Propane: 2080 B.T.U.

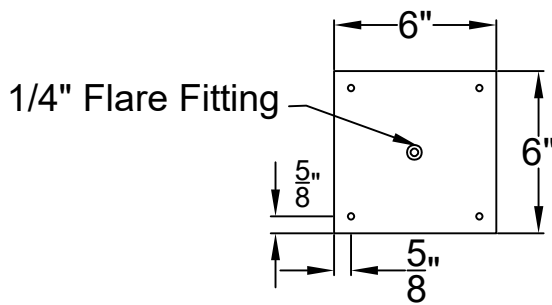
# OXFORD MEDIUM CEILING MOUNT HALF YOKE

Shortest Height 34"



Front View

Side View



Ceiling Mount



**St. James  
LIGHTING**

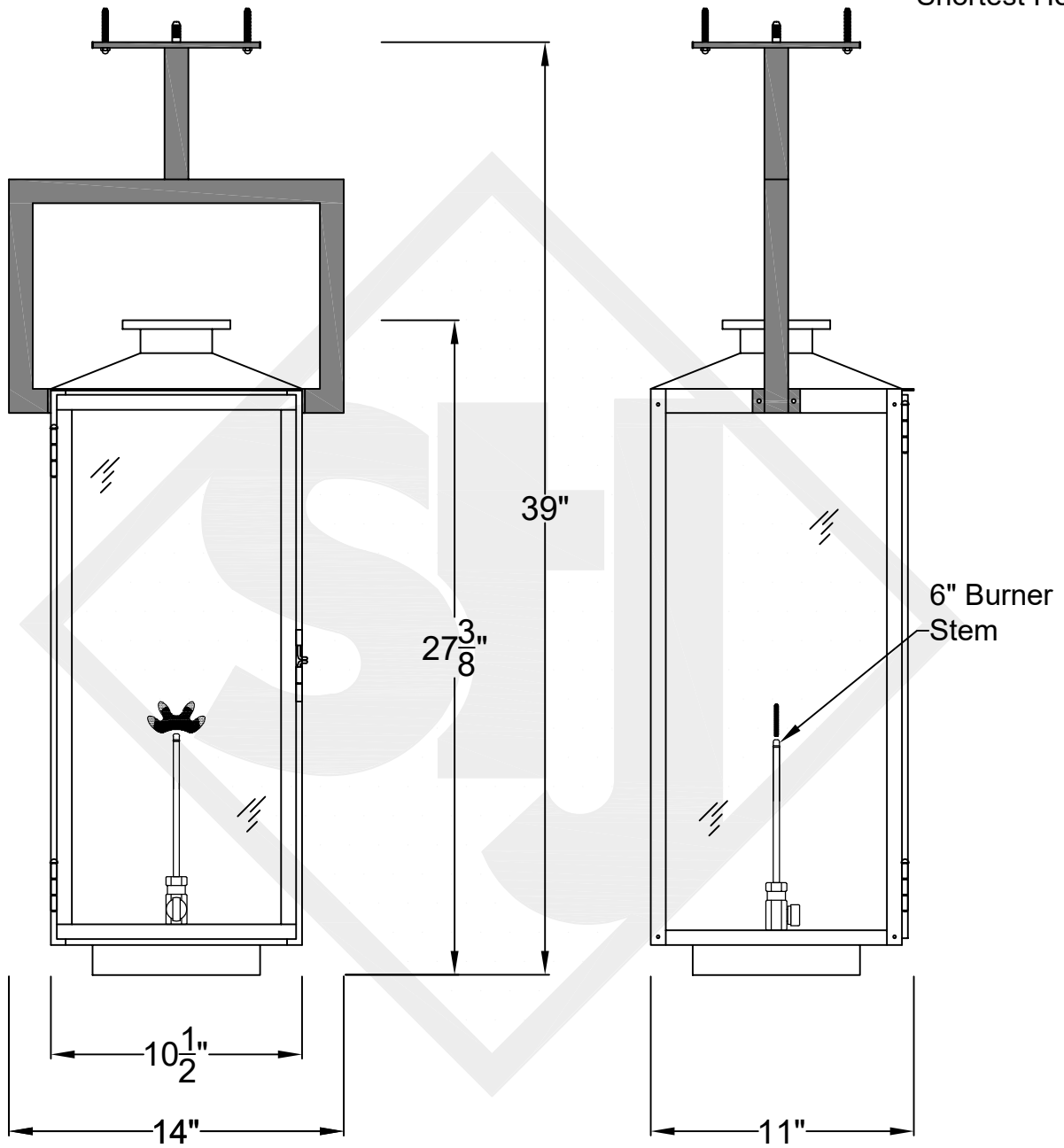
SCALE: N.T.S.	DRAFT: Y. McCullough
FILE: OXFM	APP'D: J. Ragan
JOB: X	DATE: 11/29/23

Lights are handcrafted.  
Dimensions may vary by 1/4"

B.T.U. Rating  
Natural Gas: 2730 B.T.U.  
Propane: 2080 B.T.U.

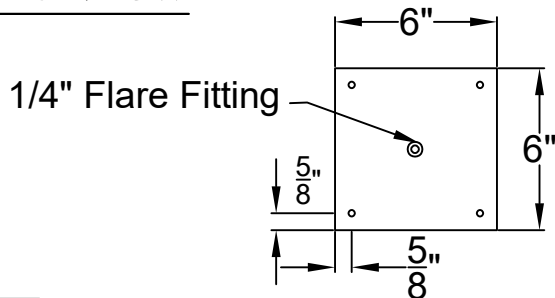
# OXFORD LARGE CEILING MOUNT HALF YOKE

Shortest Height 39"



Front View

Side View



Ceiling Mount



St. James  
LIGHTING

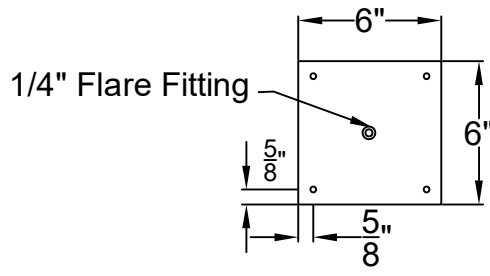
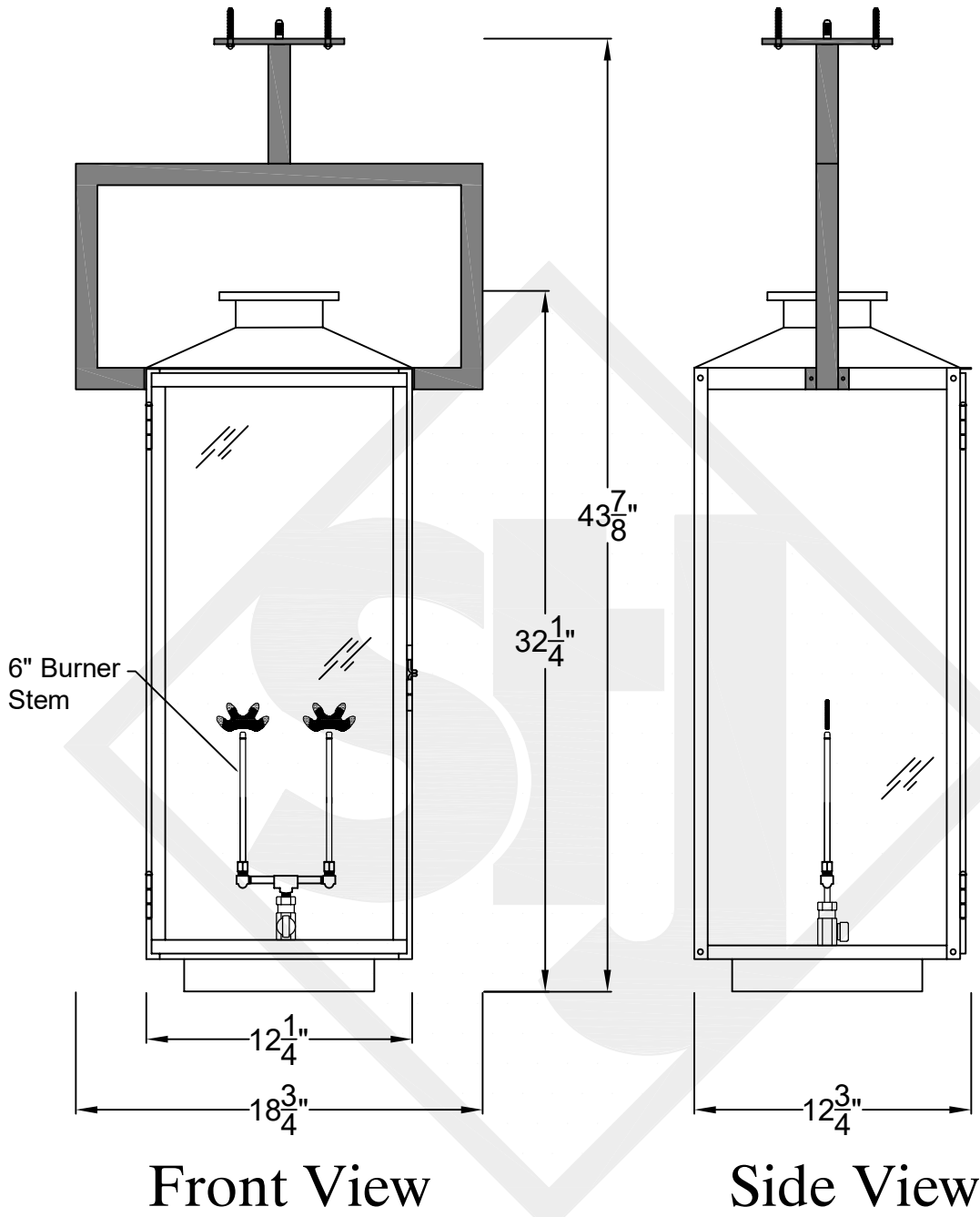
SCALE: N.T.S.	DRAFT: Y. McCullough
FILE: OXFL	APP'D: J. Ragan
JOB: X	DATE: 11/29/23

Lights are handcrafted.  
Dimensions may vary by 1/4"


B.T.U. Rating  
Natural Gas: 2730 B.T.U.  
Propane: 2080 B.T.U.

# OXFORD GRANDE CEILING MOUNT HALF YOKE

Shortest Height  $39\frac{3}{8}"$



## Ceiling Mount

 <b>St. James LIGHTING</b>	
SCALE: N.T.S.	DRAFT: Y. McCullough
FILE: OXFG	APP'D: J. Ragan
JOB: X	DATE: 11/29/23

Lights are handcrafted.  
Dimensions may vary by 1/4"

B.T.U. Rating  
Natural Gas: 5460 B.T.U.  
Propane: 4160 B.T.U.