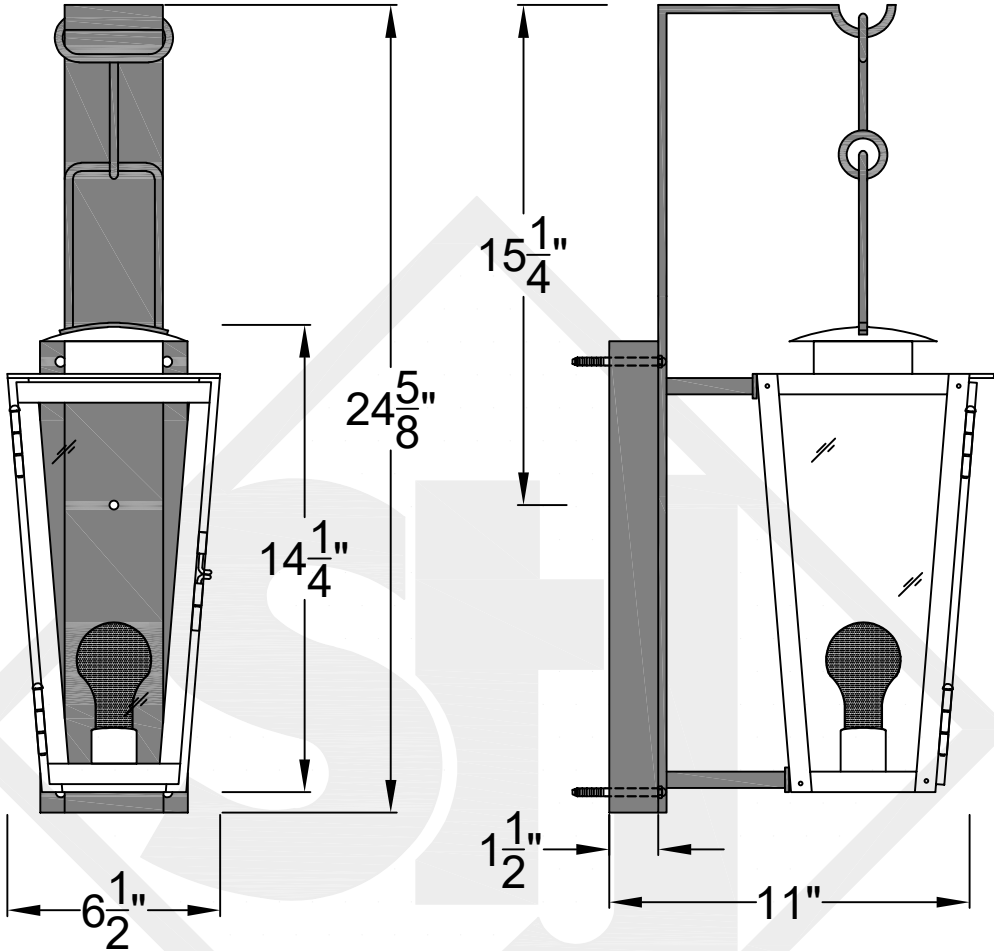
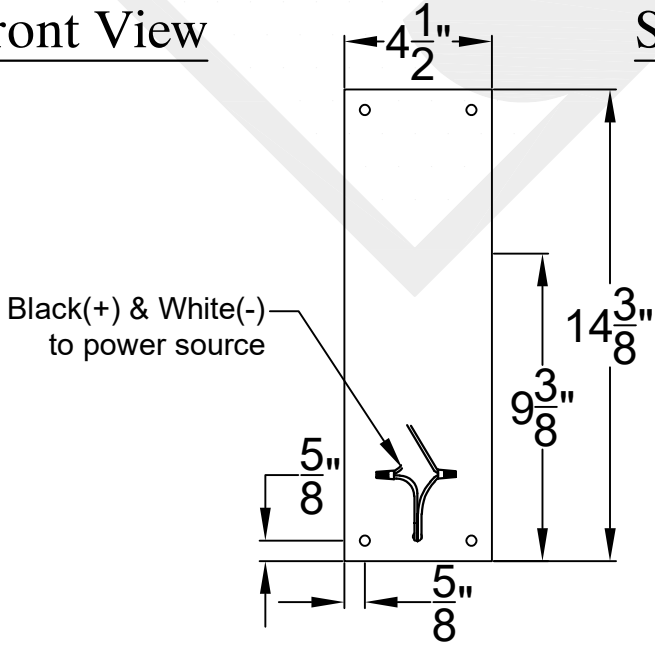


# EQUESTRIAN MINI STEEL WALL MOUNT



Front View

Side View



Backplate



St. James  
LIGHTING

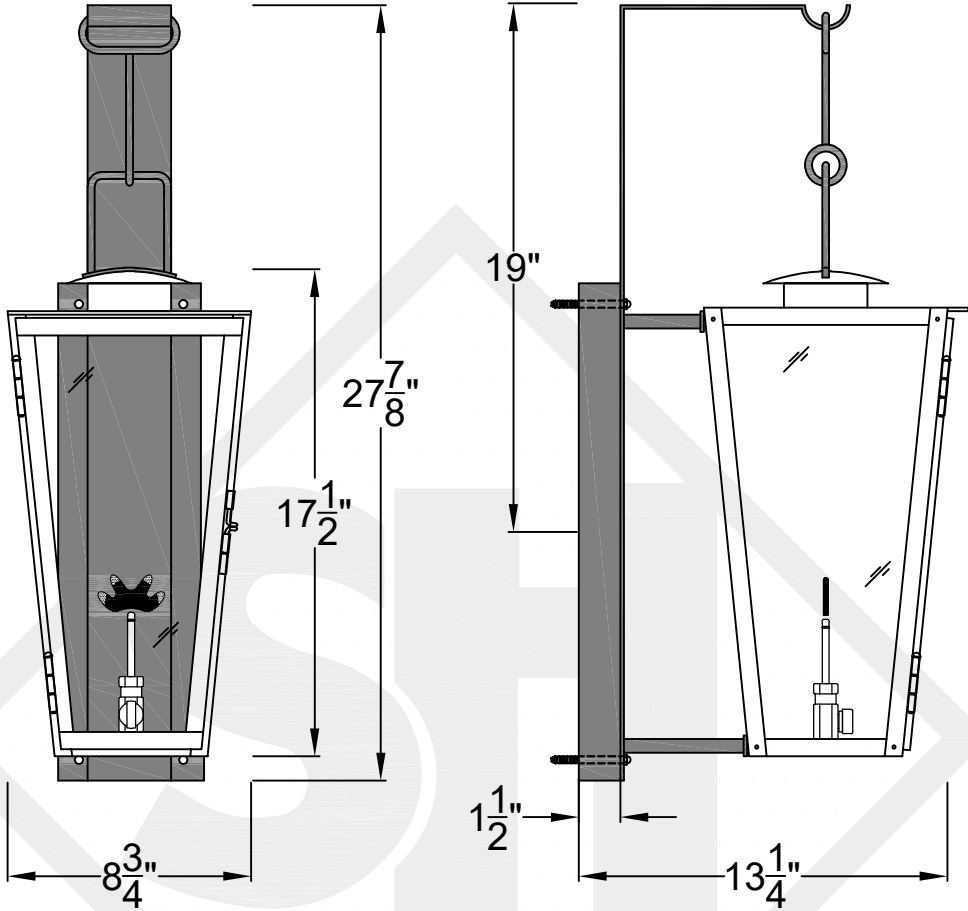
SCALE: N.T.S.	DRAFT: Y. McCullough
FILE: EQUMINI	APP'D: J. Ragan
JOB: X	DATE: 12/14/23

Lights are handcrafted.  
Dimensions may vary by 1/4"

**Mini not Available in Gas**

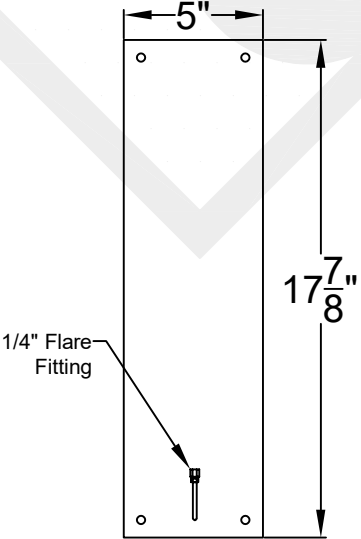
UL Certified  
Candelabra- Max 60 Watt Bulb  
Edison- Max 660 Watt Bulb

# EQUESTRIAN SMALL STEEL WALL MOUNT




Front View

Side View



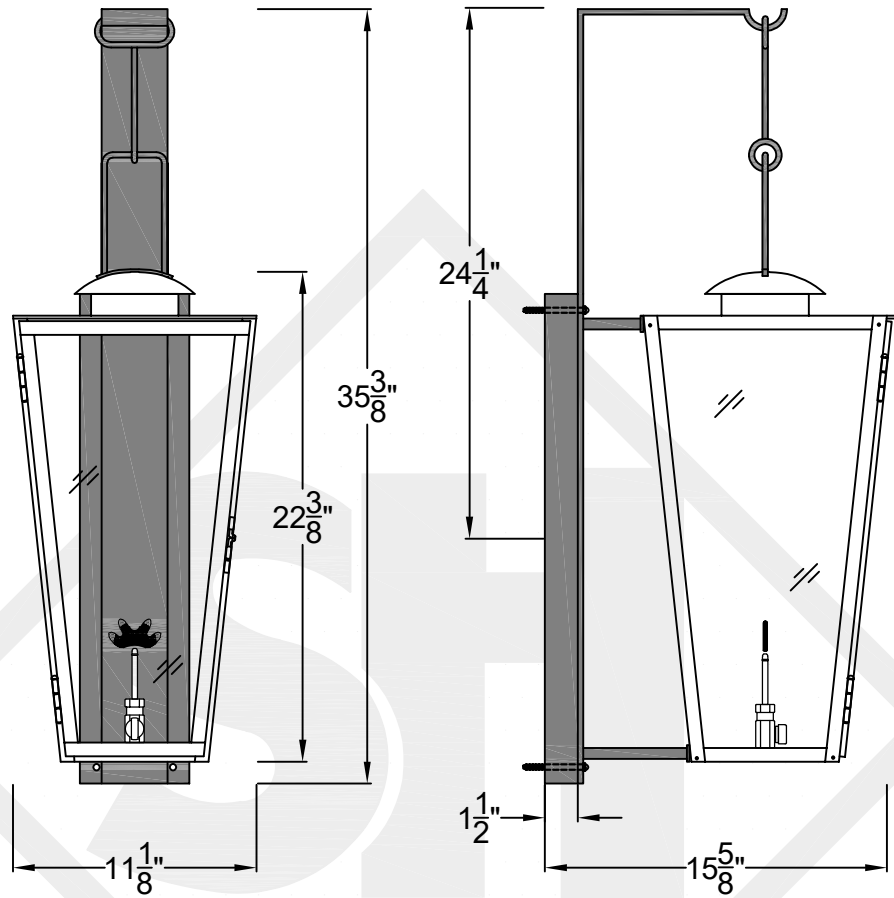
Backplate

	<b>St. James LIGHTING</b>
SCALE: N.T.S.	DRAFT: Y. McCullough
FILE: EQU8	APP'D: J. Ragan
JOB: X	DATE: 12/14/23

Lights are handcrafted.  
Dimensions may vary by 1/4"

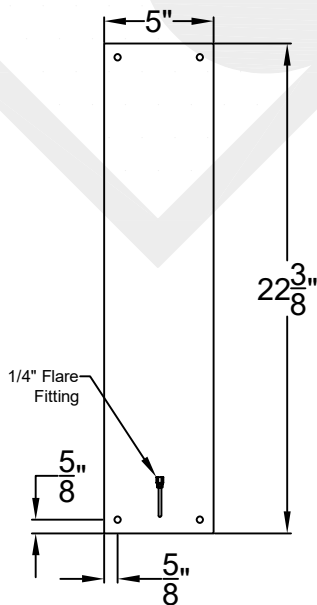
B.T.U. Rating  
Natural Gas: 2730 B.T.U.  
Propane: 2080 B.T.U.

# EQUESTRIAN MEDIUM STEEL WALL MOUNT



Front View

Side View



Backplate



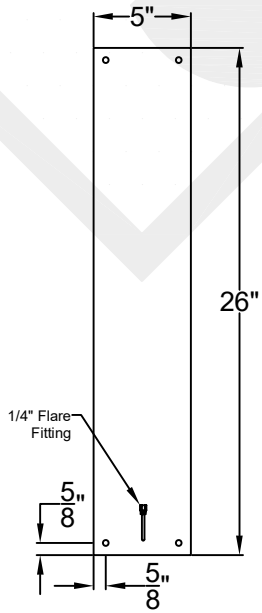
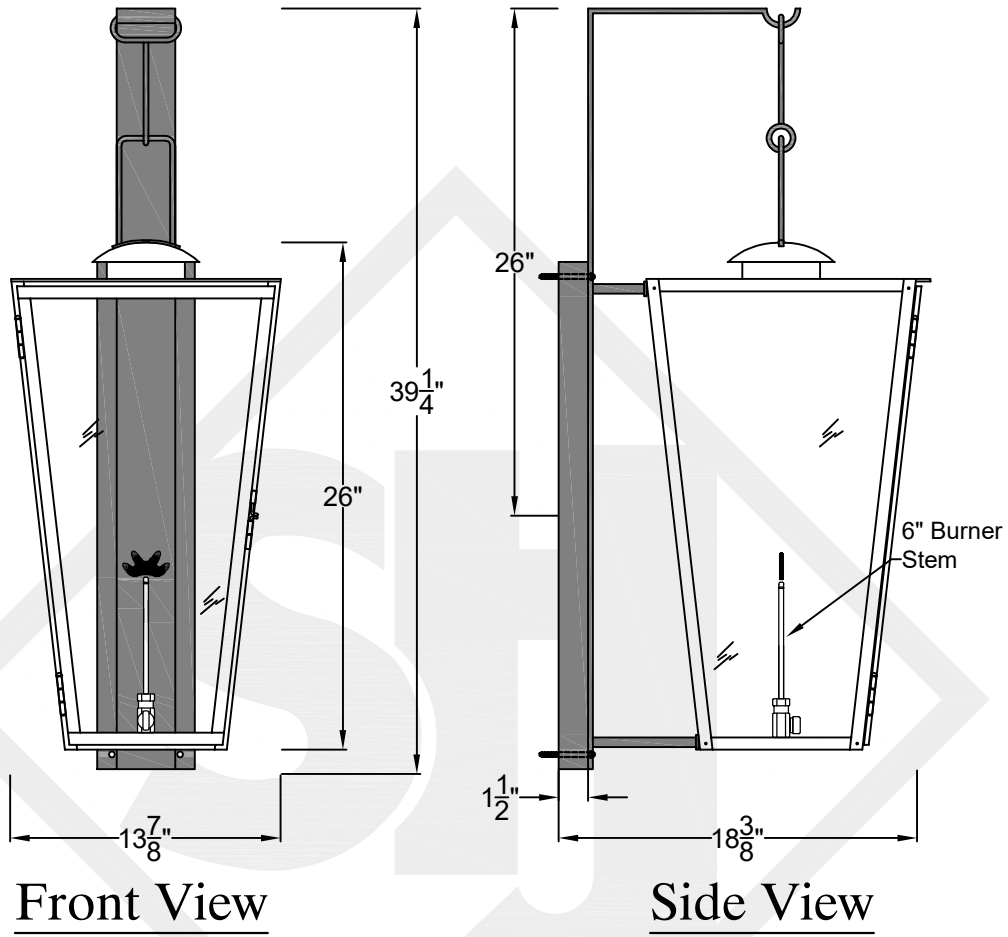
St. James  
LIGHTING

SCALE: N.T.S.	DRAFT: Y. McCullough
FILE: EQU	APP'D: J. Ragan
JOB: X	DATE: 12/14/23

Lights are handcrafted.  
Dimensions may vary by 1/4"

B.T.U. Rating  
Natural Gas: 2730 B.T.U.  
Propane: 2080 B.T.U.

# EQUESTRIAN LARGE STEEL WALL MOUNT



Backplate



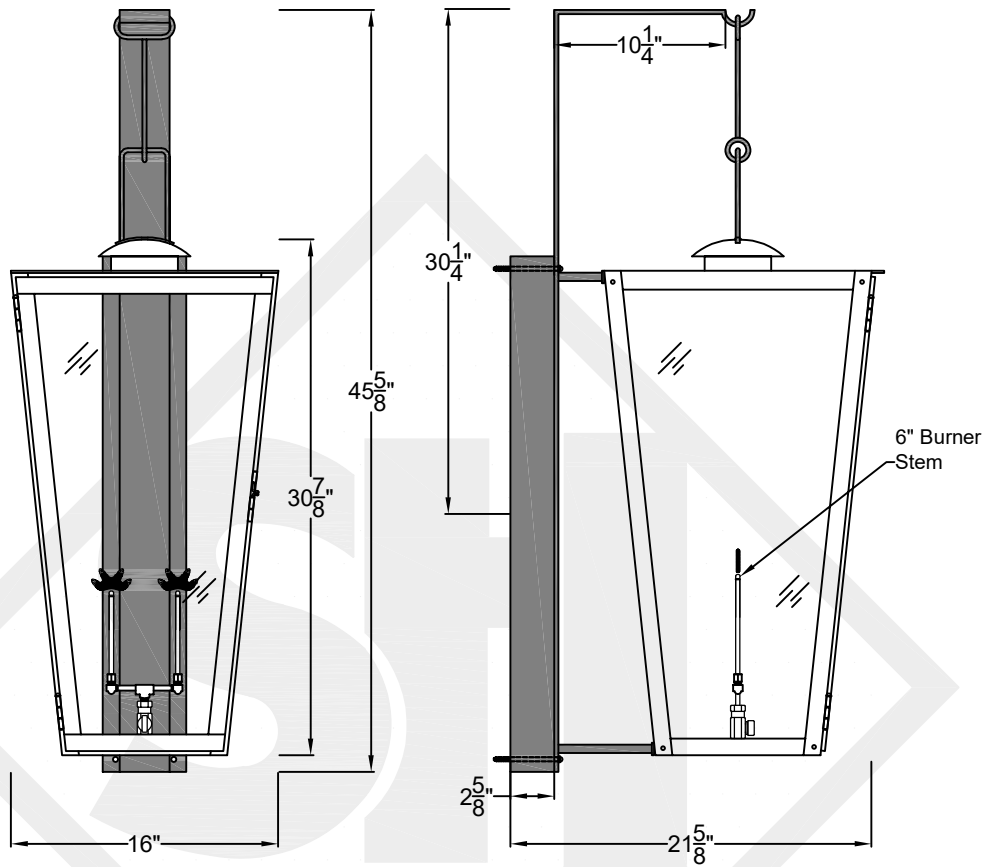
St. James  
LIGHTING

SCALE: N.T.S.	DRAFT: Y. McCullough
FILE: EQU	APP'D: J. Ragan
JOB: X	DATE: 12/14/23

Lights are handcrafted.  
Dimensions may vary by 1/4"

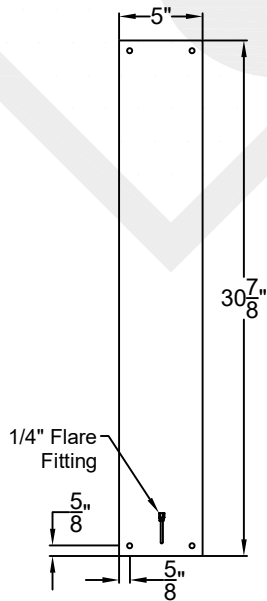
B.T.U. Rating  
Natural Gas: 2730 B.T.U.  
Propane: 2080 B.T.U.

# EQUESTRIAN GRANDE STEEL WALL MOUNT



Front View

Side View



Backplate



St. James  
LIGHTING

SCALE: N.T.S.	DRAFT: Y. McCullough
FILE: EQUG	APP'D: J. Ragan
JOB: X	DATE: 12/14/23

Lights are handcrafted.  
Dimensions may vary by 1/4"

B.T.U. Rating  
Natural Gas: 5460 B.T.U.  
Propane: 4160 B.T.U.