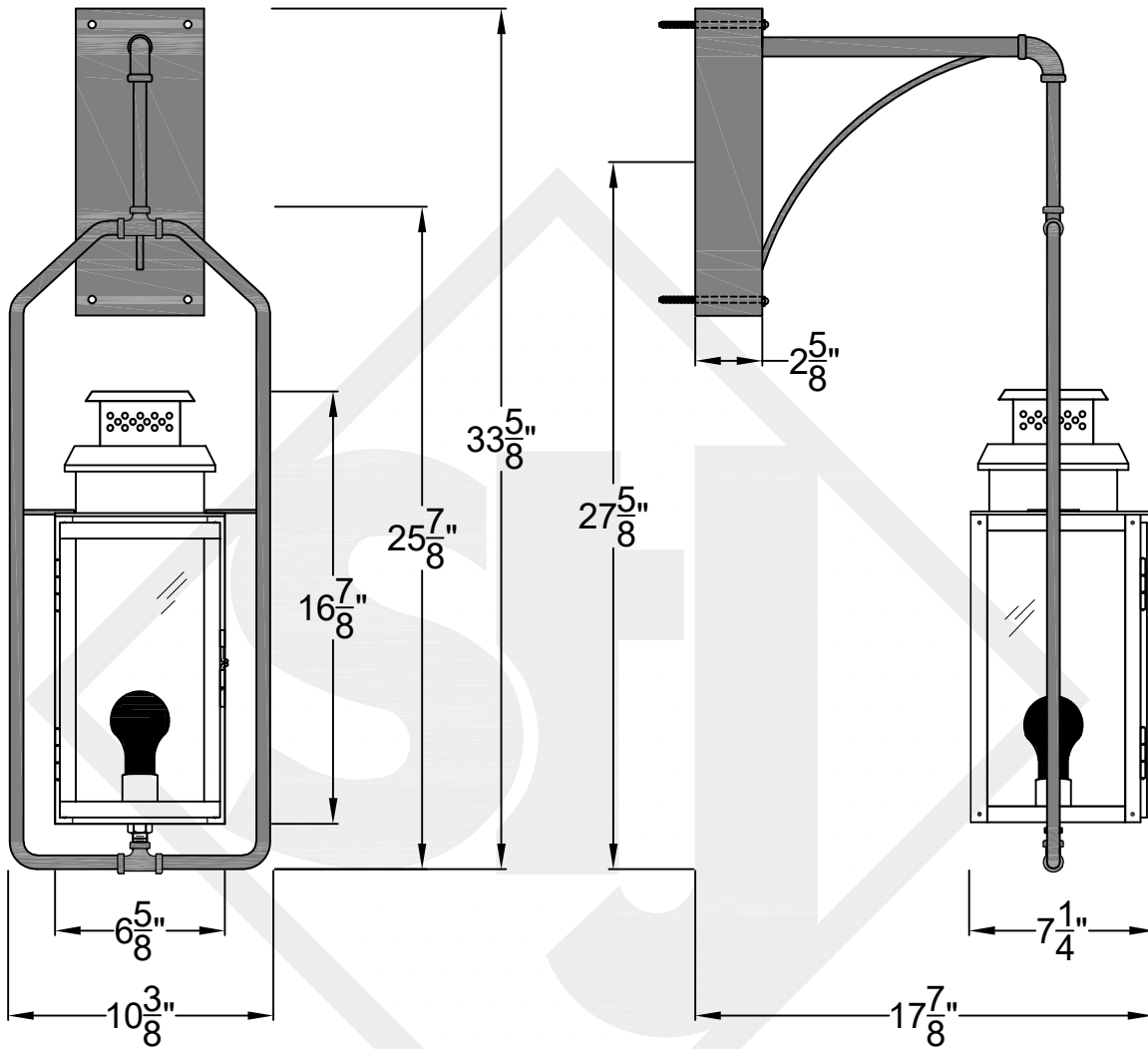


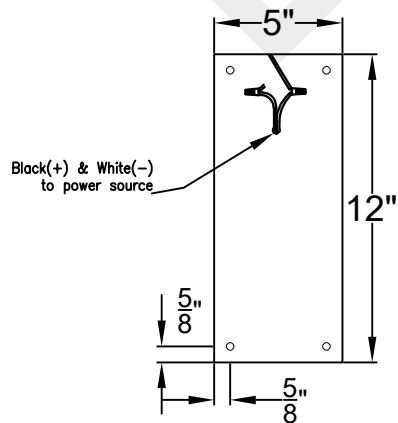
# CHICAGO MINI WALL MOUNT FULL YOKE

Shortest Height 27 <sup>1</sup>/<sub>4</sub>"



Front View

Side View



Backplate



**St. James  
LIGHTING**

SCALE: N.T.S.	DRAFT: T. Herring
FILE: CHIMINI	APP'D: J. Ragan
JOB: X	DATE: 8-17-2023

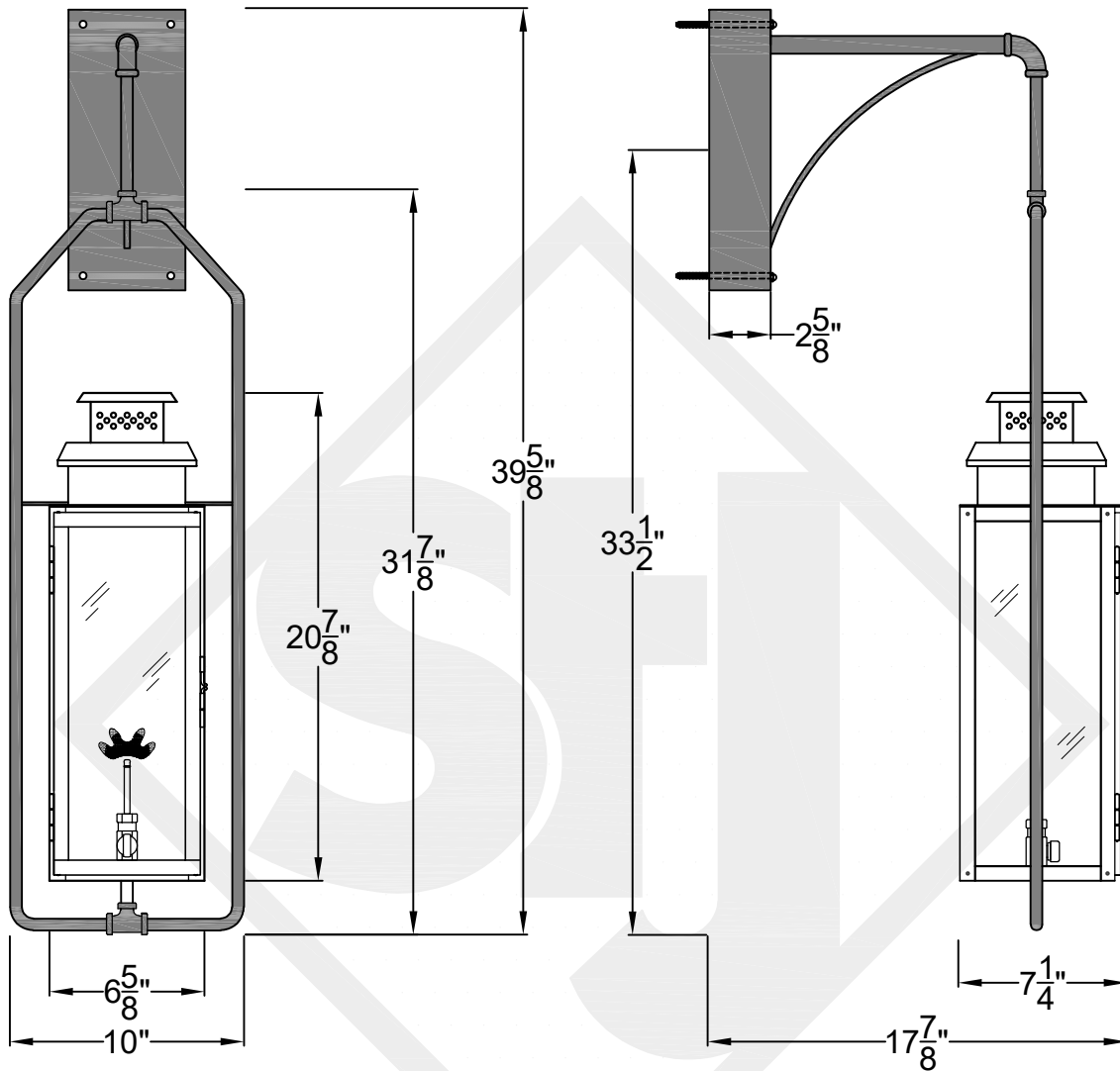
Lights are handcrafted.  
Dimensions may vary by 1/4"

UL Certified  
Candelabra- Max 60 Watt Bulb  
Edison- Max 660 Watt Bulb

Mini not Available in Gas

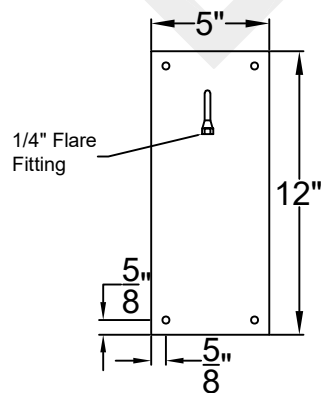
# CHICAGO SMALL WALL MOUNT FULL YOKE

Shortest Height 35  $\frac{3}{4}$ "



Front View

Side View



Backplate



St. James  
LIGHTING

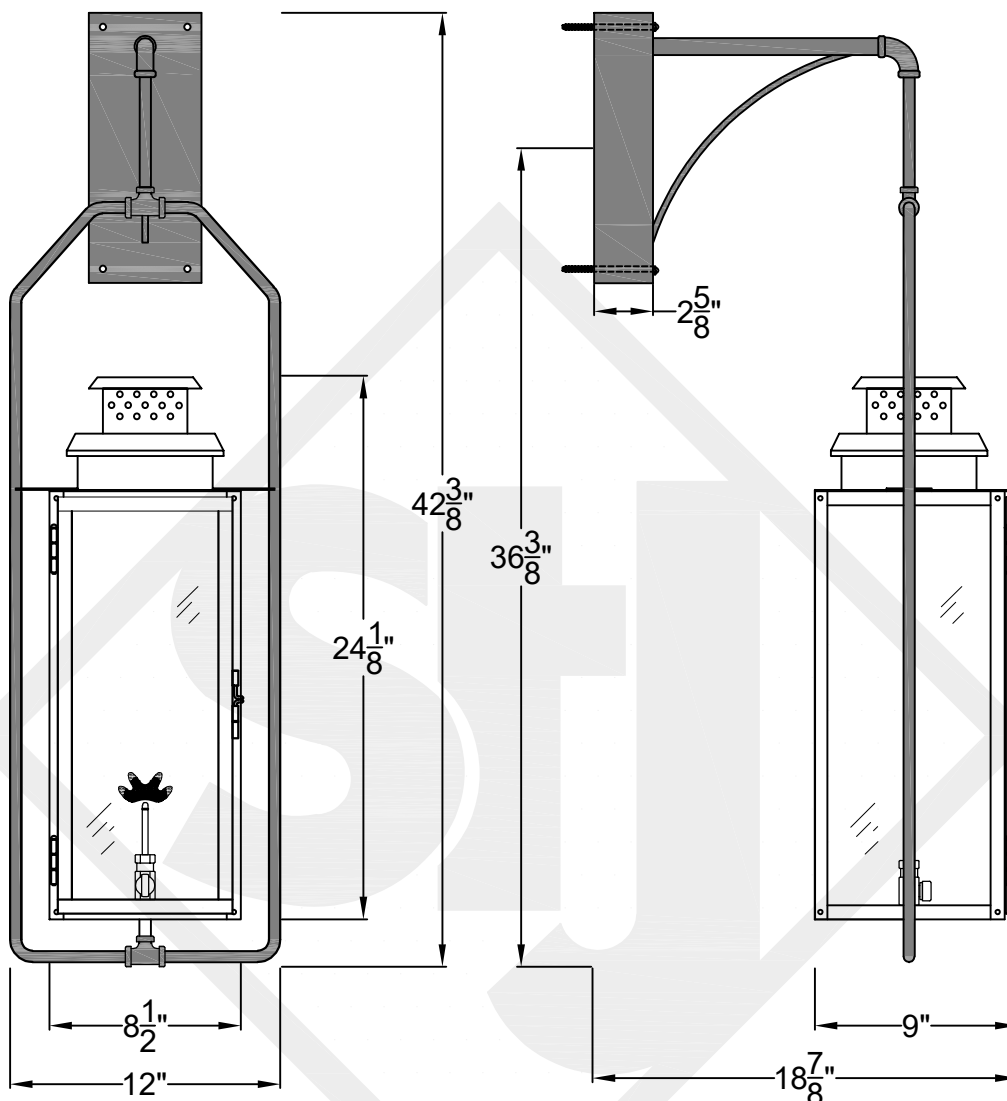
SCALE: N.T.S.      DRAFT: T. Herring  
FILE: CHIS          APP'D: J. Ragan  
JOB: X                DATE: 3-31-2023

Lights are handcrafted.  
Dimensions may vary by 1/4"

B.T.U. Rating  
Natural Gas: 2730 B.T.U.  
Propane: 2080 B.T.U.

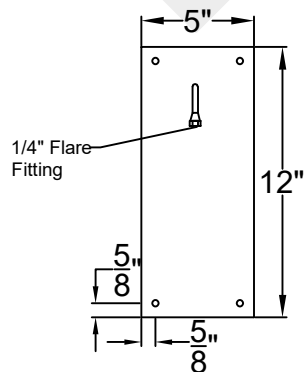
# CHICAGO MEDIUM WALL MOUNT FULL YOKE

Shortest Height 38 <sup>1</sup>/<sub>2</sub>"



Front View

Side View



Backplate



St. James  
LIGHTING

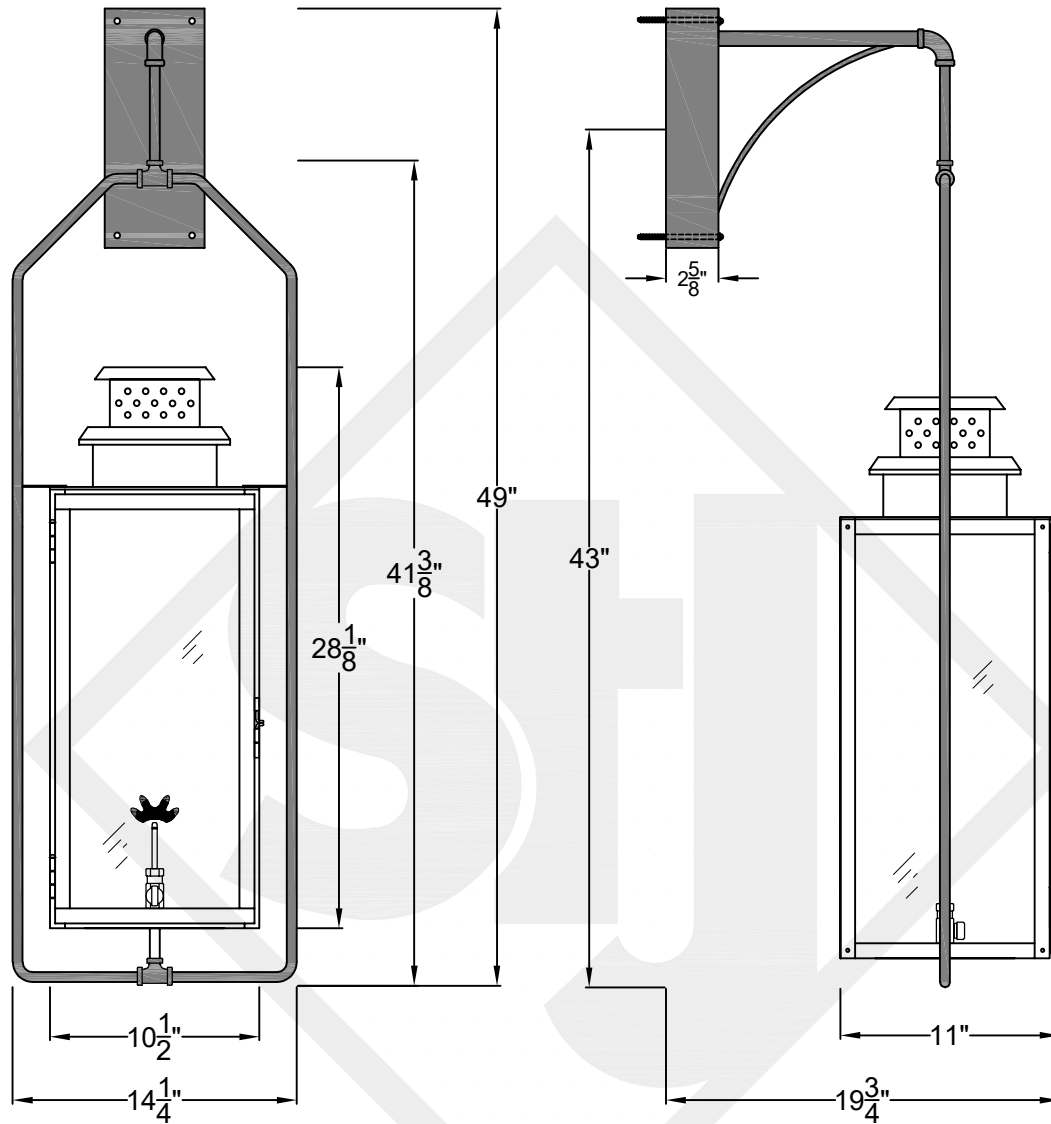
SCALE: N.T.S.	DRAFT: Y. McCullough
FILE: CHIM	APP'D: J. Ragan
JOB: X	DATE: 3/26/24

Lights are handcrafted.  
Dimensions may vary by 1/4"

B.T.U. Rating  
Natural Gas: 2730 B.T.U.  
Propane: 2080 B.T.U.

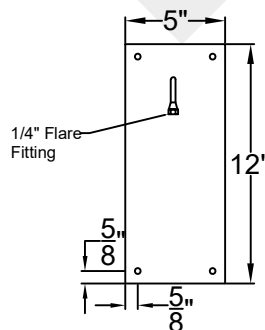
# CHICAGO LARGE WALL MOUNT FULL YOKE

Shortest Height 45  $\frac{1}{4}$ "



Front View

Side View



Backplate



St. James  
LIGHTING

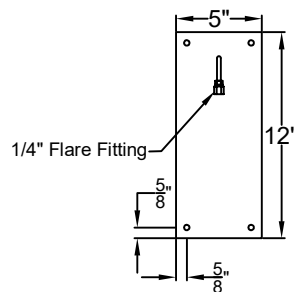
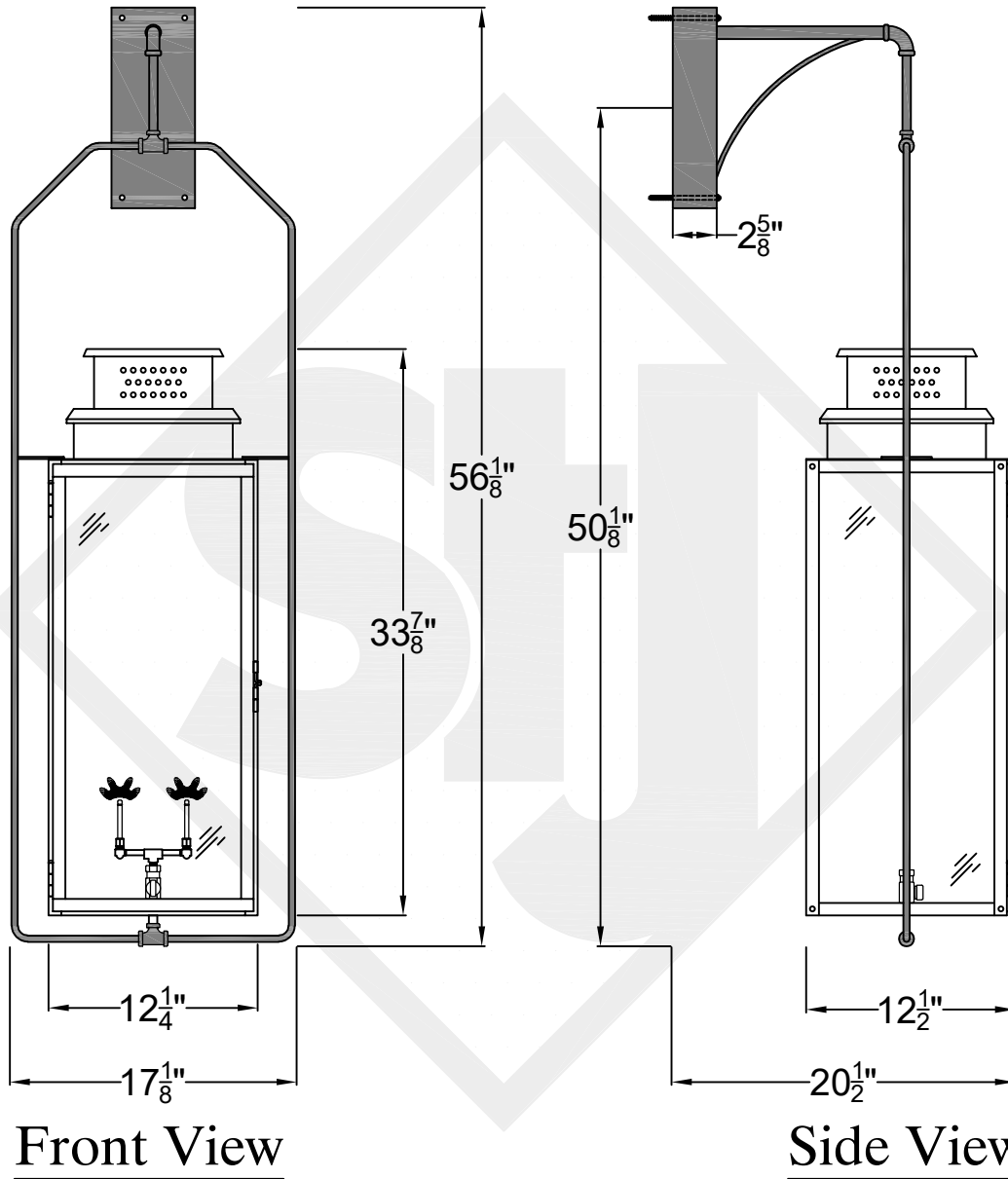
SCALE: N.T.S.	DRAFT: Y. McCullough
FILE: CHIL	APP'D: J. Ragan
JOB: X	DATE: 11/18/23

Lights are handcrafted.  
Dimensions may vary by 1/4"

B.T.U. Rating  
Natural Gas: 2730 B.T.U.  
Propane: 2080 B.T.U.

# CHICAGO GRANDE WALL MOUNT FULL YOKE

Shortest Height  $52\frac{5}{8}"$



**Backplate**



St. James  
LIGHTING

SCALE: N.T.S.      DRAFT: T. Herring  
FILE: CHIG      APP'D: J. Ragan  
JOB: X      DATE: 4-28-2023

Lights are handcrafted.  
Dimensions may vary by 1/4"

B.T.U. Rating  
Natural Gas: 5460 B.T.U.  
Propane: 4160 B.T.U.