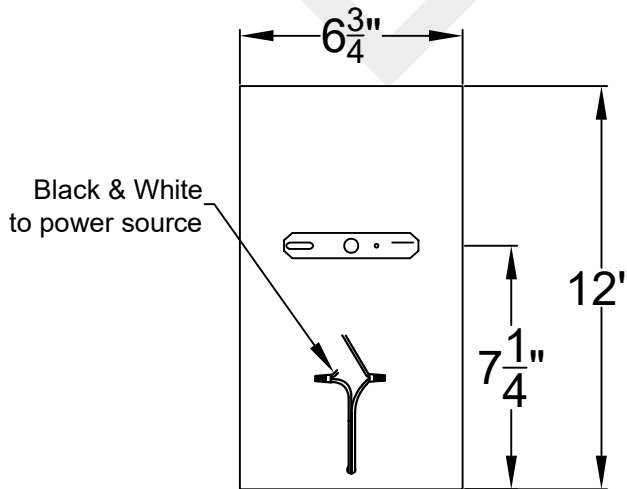
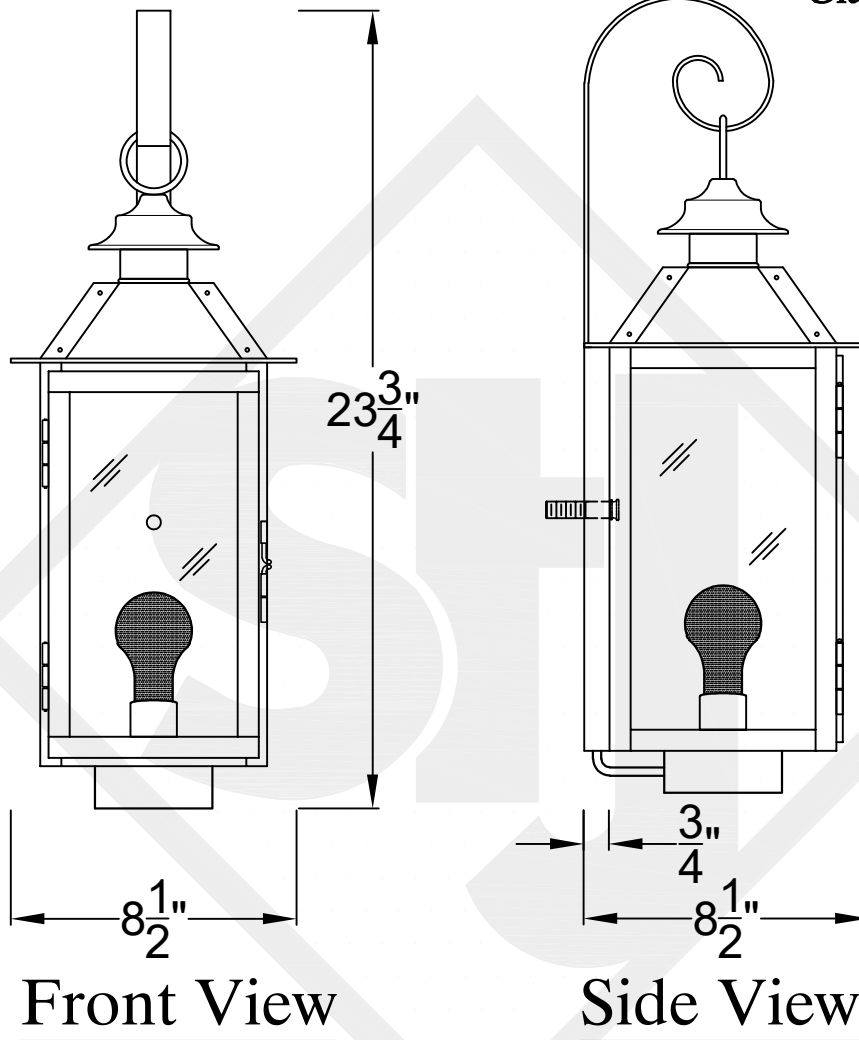


SWEET WATER MINI COPPER WALL BRACKET

Available w/ Solid or
Glass Top



Backplate



St. James
LIGHTING

SCALE: N.T.S. DRAFT: Y. McCullough
FILE: SWEMINI APP'D: J. Ragan
JOB: X DATE: 12/5/23

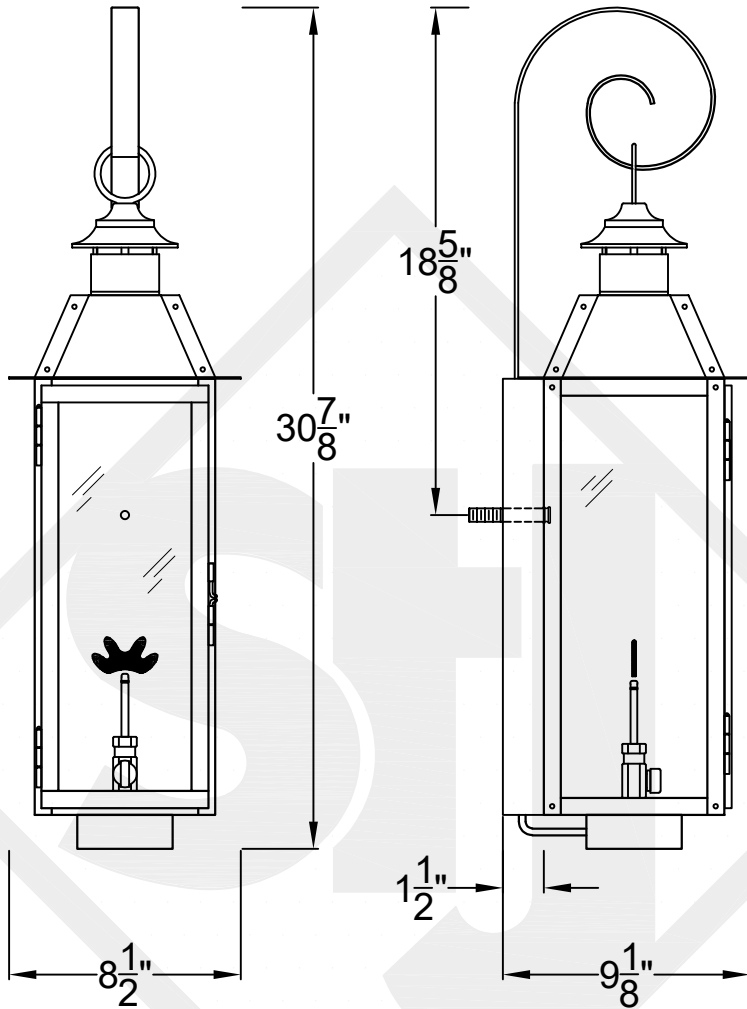
Lights are handcrafted.
Dimensions may vary by 1/4"

UL Certified
Candelabra- Max 60 Watt Bulb
Edison- Max 660 Watt Bulb

Mini not Available in Gas

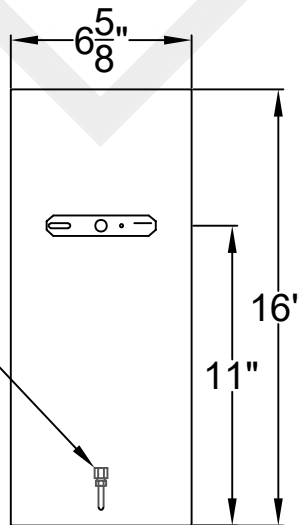
SWEET WATER SMALL COPPER WALL BRACKET

Available w/ Solid
or Glass Top



Front View

Side View



Backplate



St. James
LIGHTING

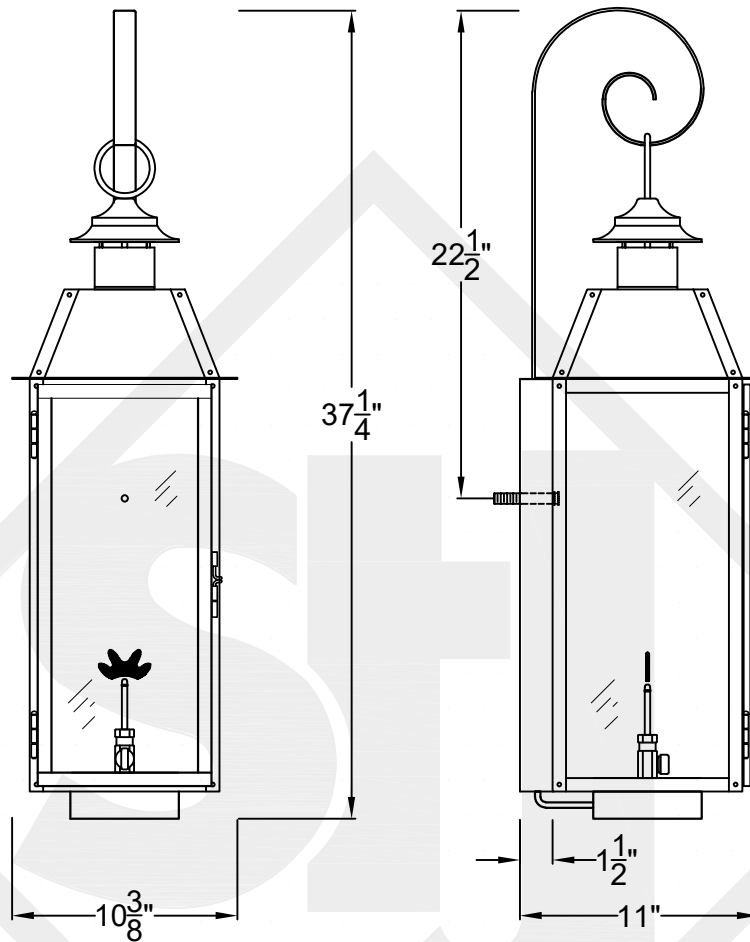
SCALE: N.T.S.	DRAFT: Y. McCullough
FILE: SWES	APP'D: J. Ragan
JOB: X	DATE: 1/5/24

Lights are handcrafted.
Dimensions may vary by 1/4"

B.T.U. Rating
Natural Gas: 2730 B.T.U.
Propane: 2080 B.T.U.

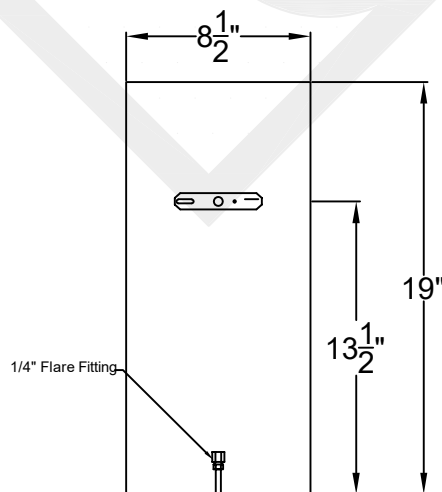
SWEET WATER MEDIUM COPPER WALL BRACKET

Available w/ Solid or
Glass Top



Front View

Side View



Backplate



St. James
LIGHTING

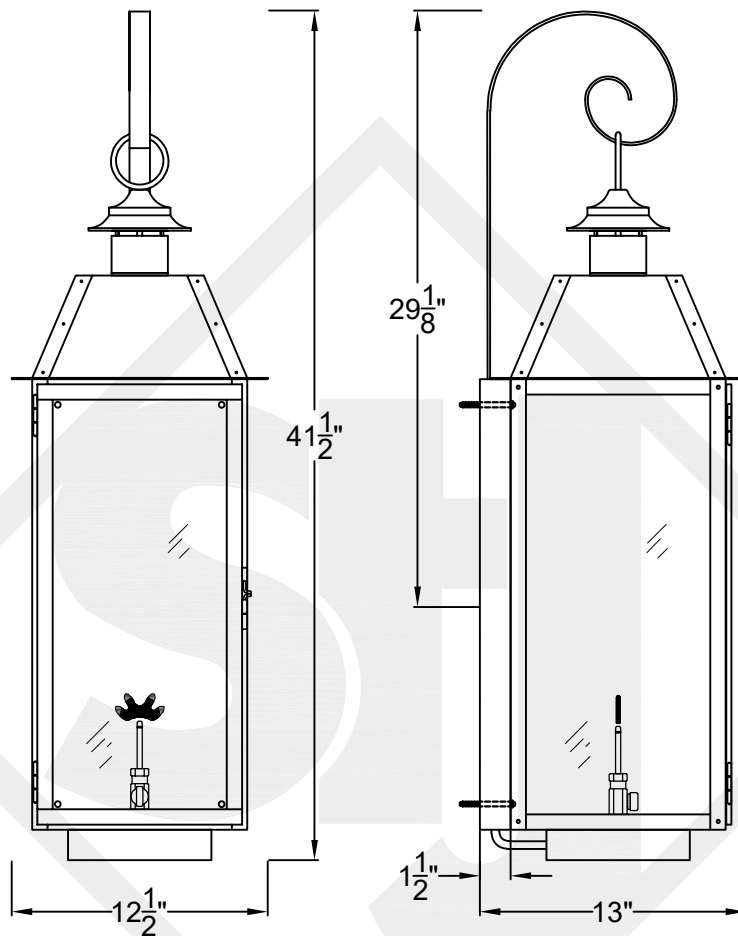
SCALE: N.T.S.	DRAFT: Y. McCullough
FILE: SWEM	APP'D: J. Ragan
JOB: X	DATE: 1/9/24

Lights are handcrafted.
Dimensions may vary by $1/4"$

B.T.U. Rating
Natural Gas: 2730 B.T.U.
Propane: 2080 B.T.U.

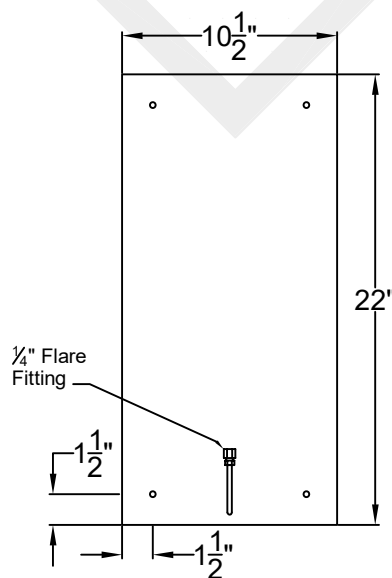
SWEET WATER LARGE COPPER WALL BRACKET

Available w/ Solid or
Glass Top



Front View

Side View



Backplate



St. James
LIGHTING

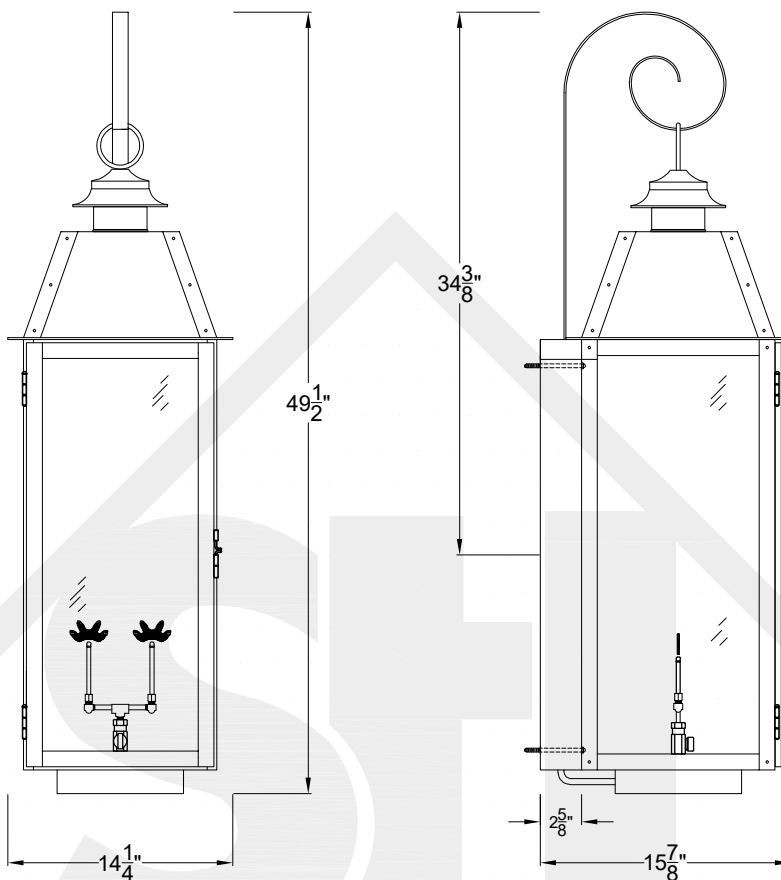
SCALE: N.T.S.	DRAFT: Y. McCullough
FILE: SWEL	APP'D: J. Ragan
JOB: X	DATE: 1/9/24

Lights are handcrafted.
Dimensions may vary by 1/4"

B.T.U. Rating
Natural Gas: 2730 B.T.U.
Propane: 2080 B.T.U.

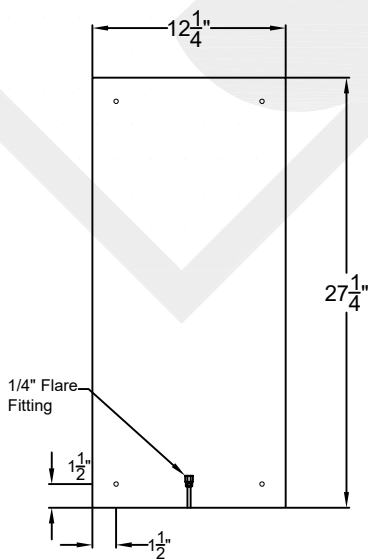
SWEET WATER GRANDE COPPER WALL BRACKET

Available w/ Solid
or Glass Top



Front View

Side View



Backplate



St. James
LIGHTING

SCALE: N.T.S.	DRAFT: Y. McCullough
FILE: SWEG	APP'D: J. Ragan
JOB: X	DATE: 12/6/23

Lights are handcrafted.
Dimensions may vary by $\frac{1}{4}$ "

B.T.U. Rating
Natural Gas: 5460 B.T.U.
Propane: 4160 B.T.U.