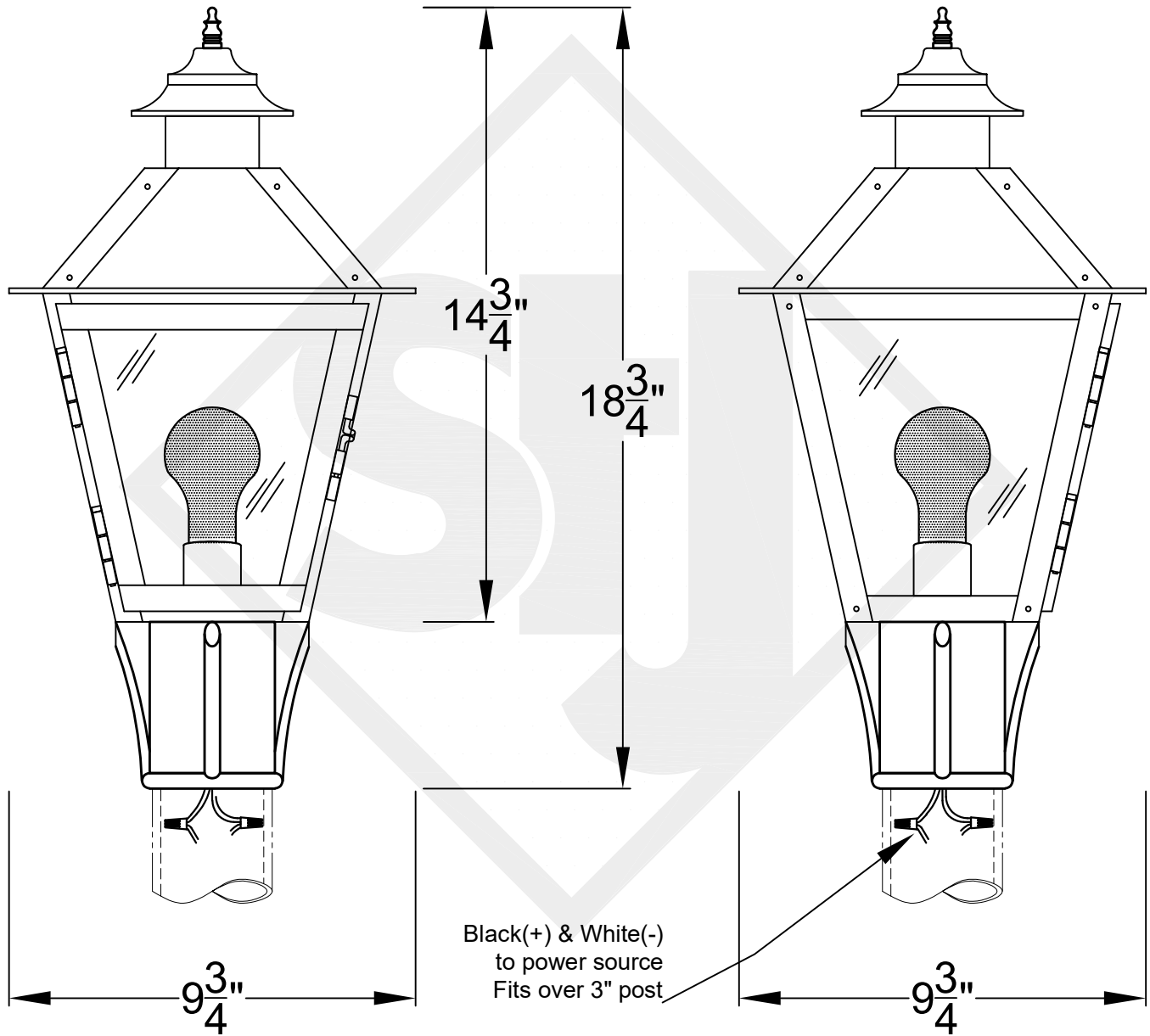


MAGNOLIA MINI COPPER POST MOUNT

Available w/ Solid
or Glass Top



Front View

Side View



St. James
LIGHTING

SCALE: N.T.S.	DRAFT: T. Herring
FILE: MAGMINI	APP'D: J. Ragan
JOB: X	DATE: 3-8-2023

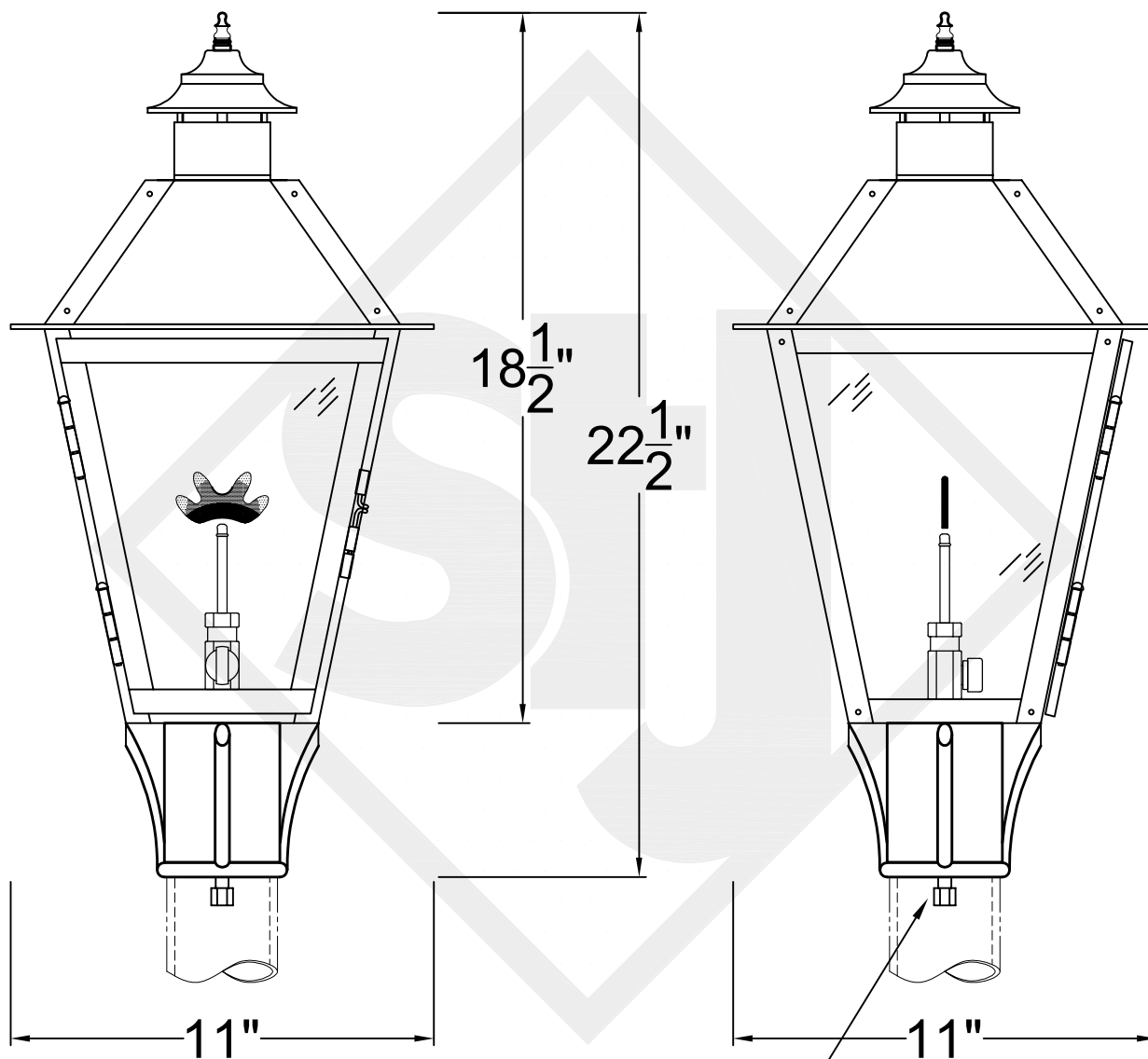
Lights are handcrafted.
Dimensions may vary by 1/4"

Mini not Available in Gas

UL Certified
Candelabra- Max 60 Watt Bulb
Edison- Max 660 Watt Bulb

MAGNOLIA SMALL COPPER POST MOUNT

Available w/ Solid
or Glass Top



Front View

Fits over a 3" post
1/4" Flare Fitting

Side View



St. James
LIGHTING

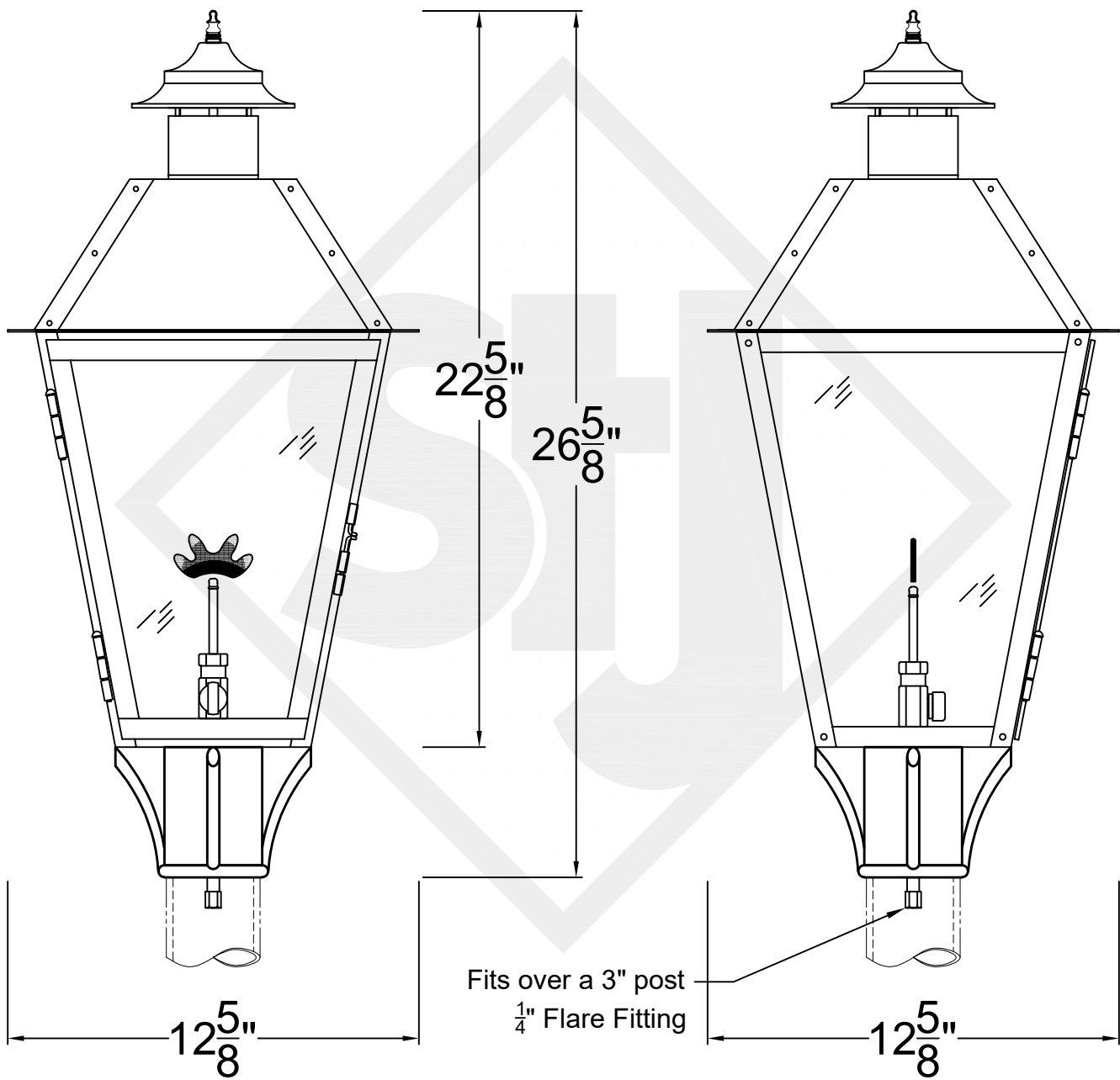
SCALE: N.T.S.	DRAFT: Y. McCullough
FILE: MAGS	APP'D: J. Ragan
JOB: X	DATE: 1/5/24

Lights are handcrafted.
Dimensions may vary by 1/4"

B.T.U. Rating
Natural Gas: 2730 B.T.U.
Propane: 2080 B.T.U.

MAGNOLIA MEDIUM COPPER POST MOUNT

Available w/ Solid
or Glass Top



Front View

Side View



St. James
LIGHTING

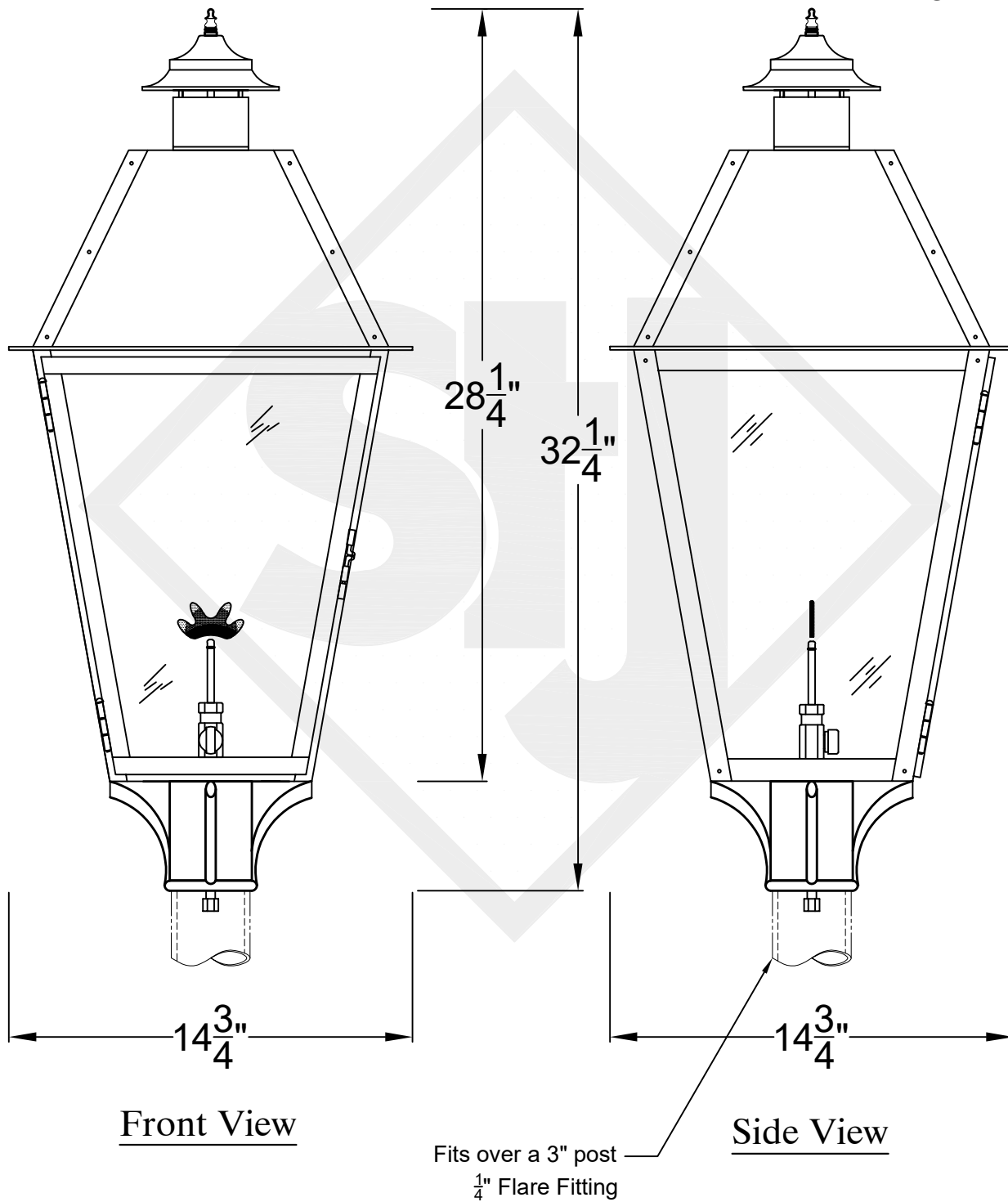
SCALE: N.T.S. DRAFT: Y. McCullough
FILE: MAGM APP'D: J. Ragan
JOB: X DATE: 1/5/24

Lights are handcrafted.
Dimensions may vary by 1/4"

B.T.U. Rating
Natural Gas: 2730 B.T.U.
Propane: 2080 B.T.U.

MAGNOLIA LARGE COPPER POST MOUNT

Available w/ Solid
or Glass Top



St. James
LIGHTING

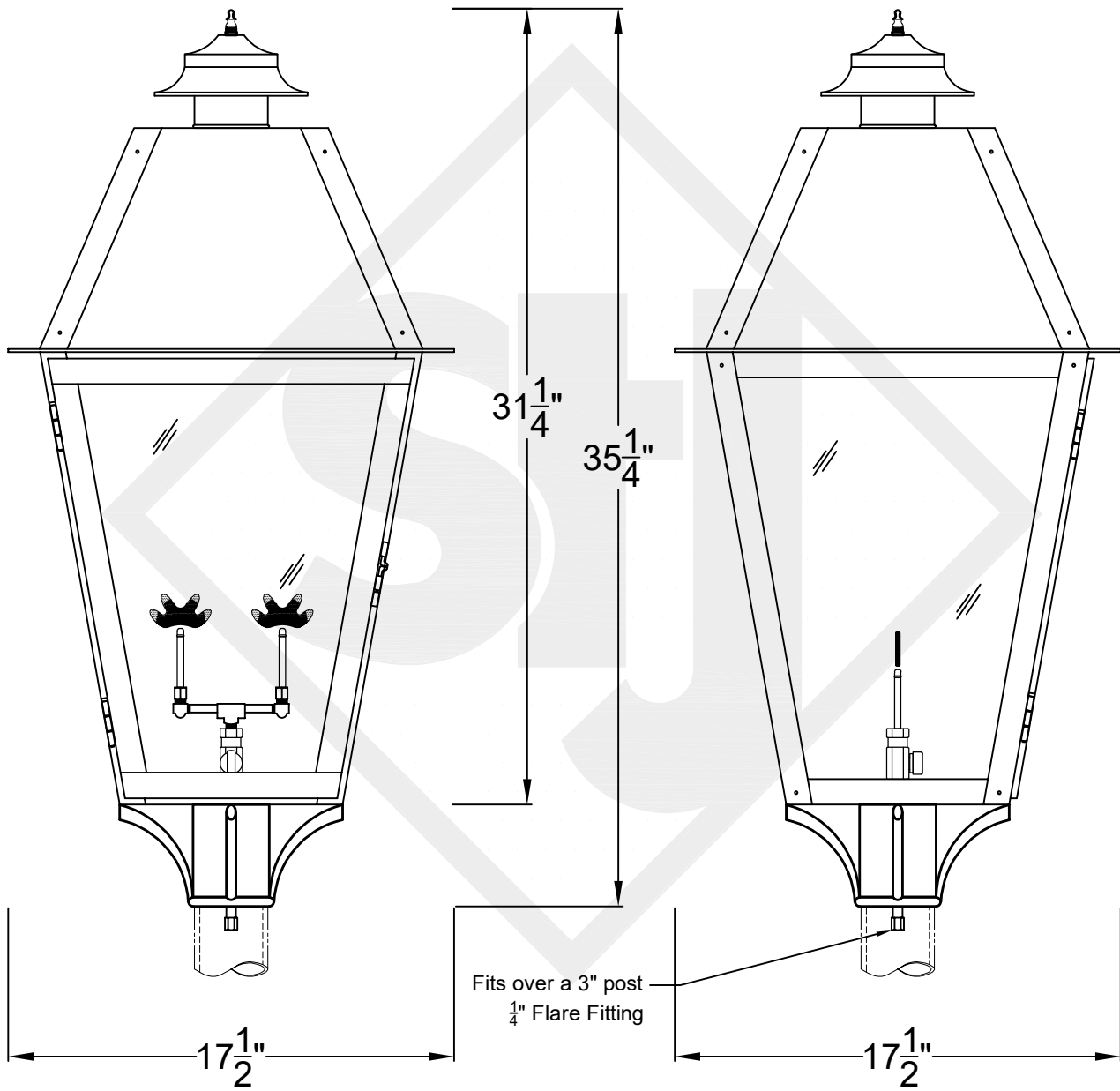
SCALE: N.T.S.	DRAFT: Y. McCullough
FILE: MAGL	APP'D: J. Ragan
JOB: X	DATE: 1/5/24

Lights are handcrafted.
Dimensions may vary by 1/4"

B.T.U. Rating
Natural Gas: 2730 B.T.U.
Propane: 2080 B.T.U.

MAGNOLIA GRANDE COPPER POST MOUNT

Available w/ Solid
or Glass Top



Front View

Side View



St. James
LIGHTING

SCALE: N.T.S. DRAFT: T. Herring
FILE: MAGG APP'D: J. Ragan
JOB: X DATE: 8-18-2023

Lights are handcrafted.
Dimensions may vary by 1/4"

B.T.U. Rating
Natural Gas: 5460 B.T.U.
Propane: 4160 B.T.U.