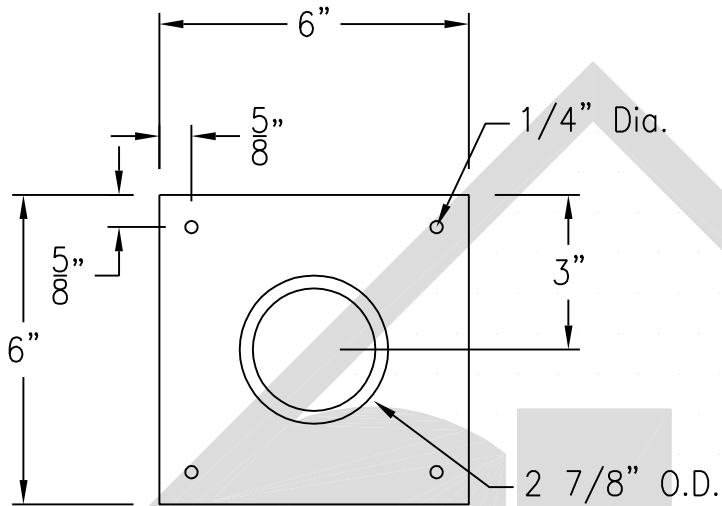
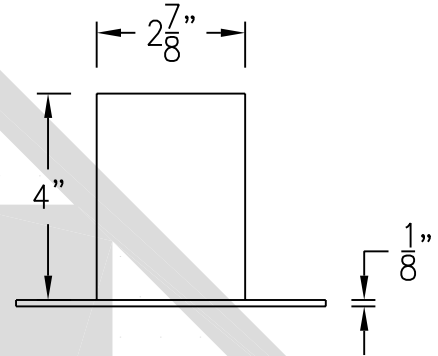


PIER MOUNT

PMF

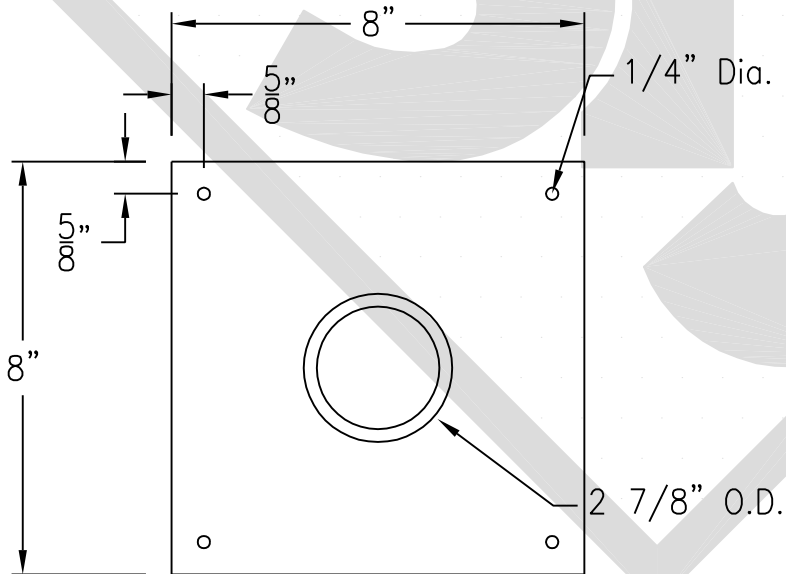


Top View

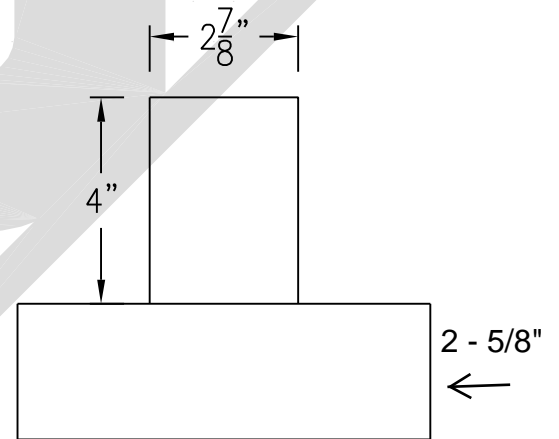


Front View

PMAI



Top View



Front View

Pier Mount



**St. James
LIGHTING**

SCALE:	N.T.S.	DRAFT:	J. Murry
FILE:	MGSCWS	APP'D:	J. Ragan
JOB:	X	DATE:	04/26/11