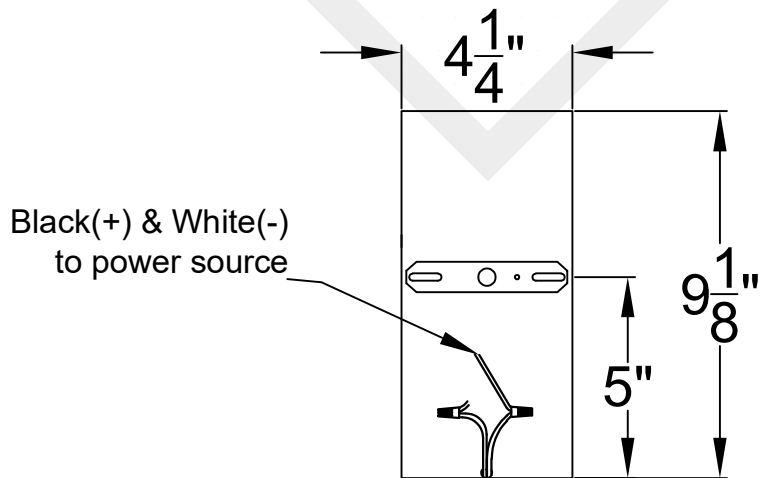
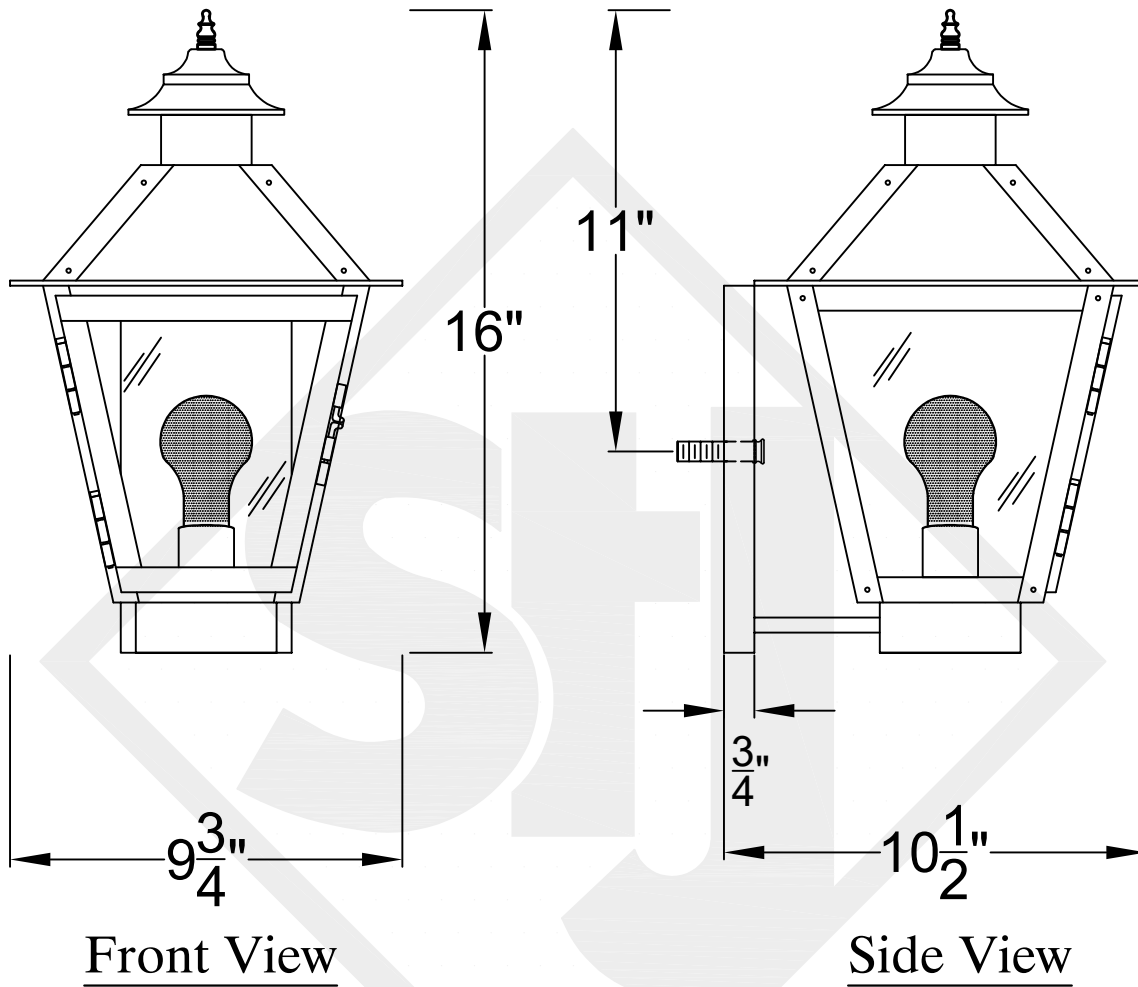


MAGNOLIA MINI COPPER WALL BRACKET

Available w/ Solid
or Glass Top



Backplate



St. James
LIGHTING

SCALE: N.T.S.	DRAFT: T. Herring
FILE: MAGMINI	APP'D: J. Ragan
JOB: X	DATE: 3-6-2023

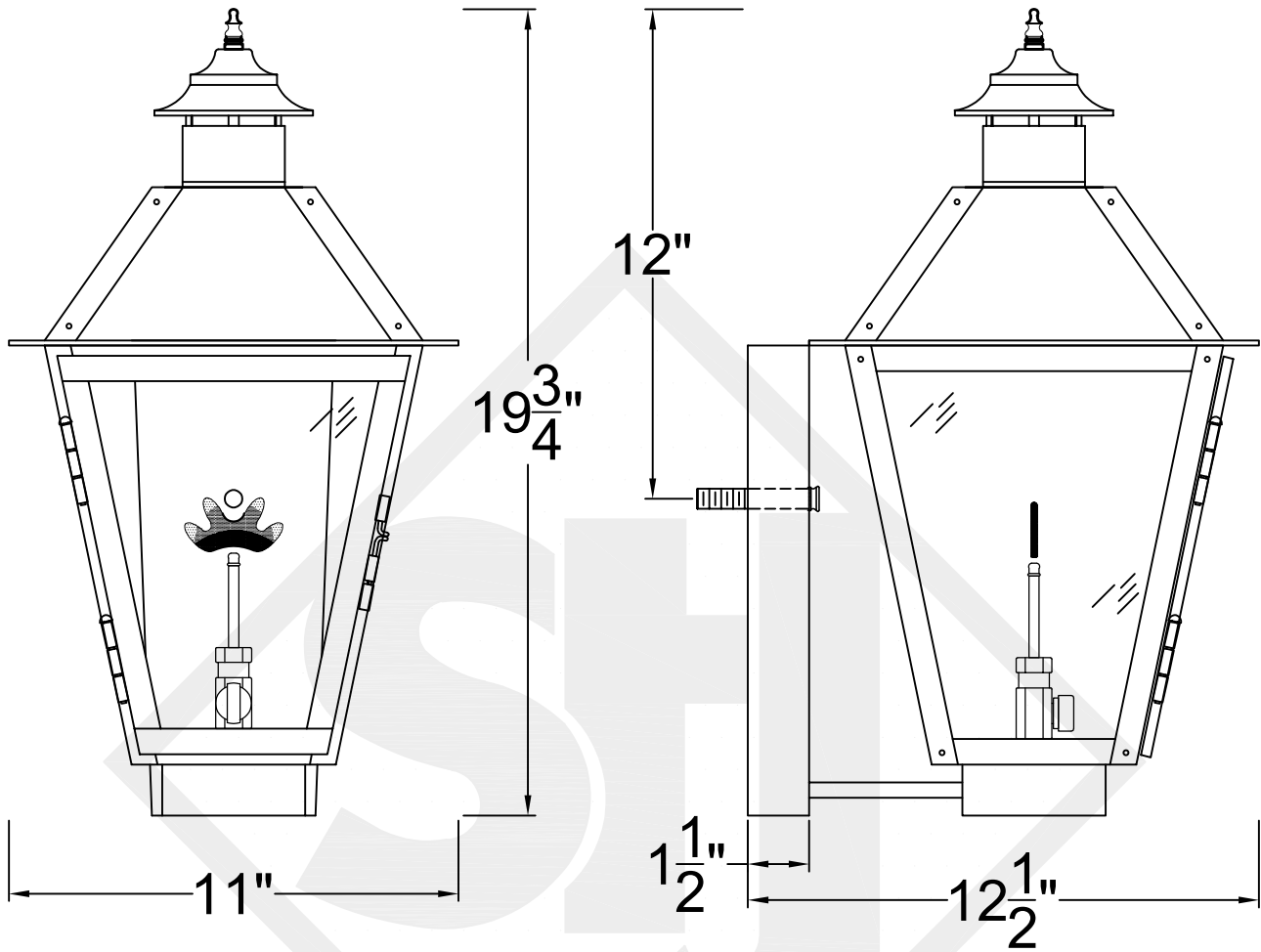
Lights are handcrafted.
Dimensions may vary by 1/4"

Mini not Available in Gas

UL Certified
Candelabra- Max 60 Watt Bulb
Edison- Max 660 Watt Bulb

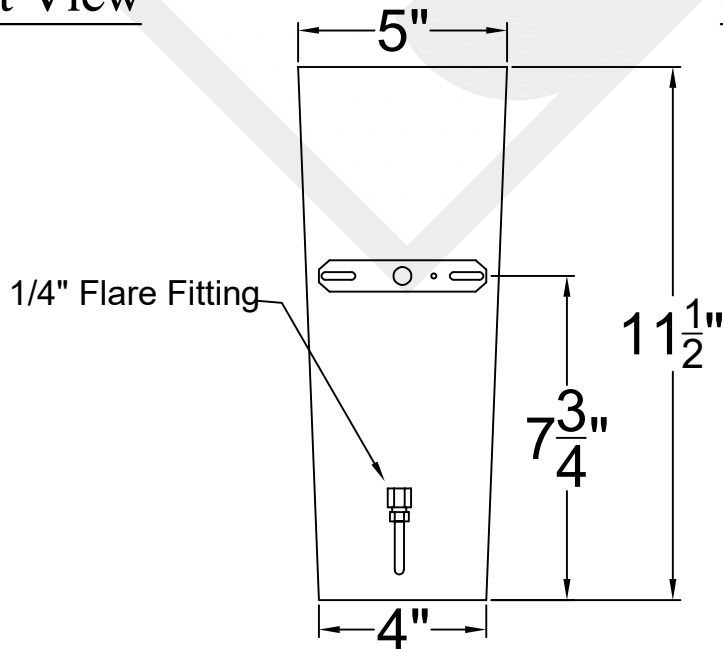
MAGNOLIA SMALL COPPER WALL BRACKET

Available w/ Solid
or Glass Top



Front View

Side View



Backplate



St. James
LIGHTING

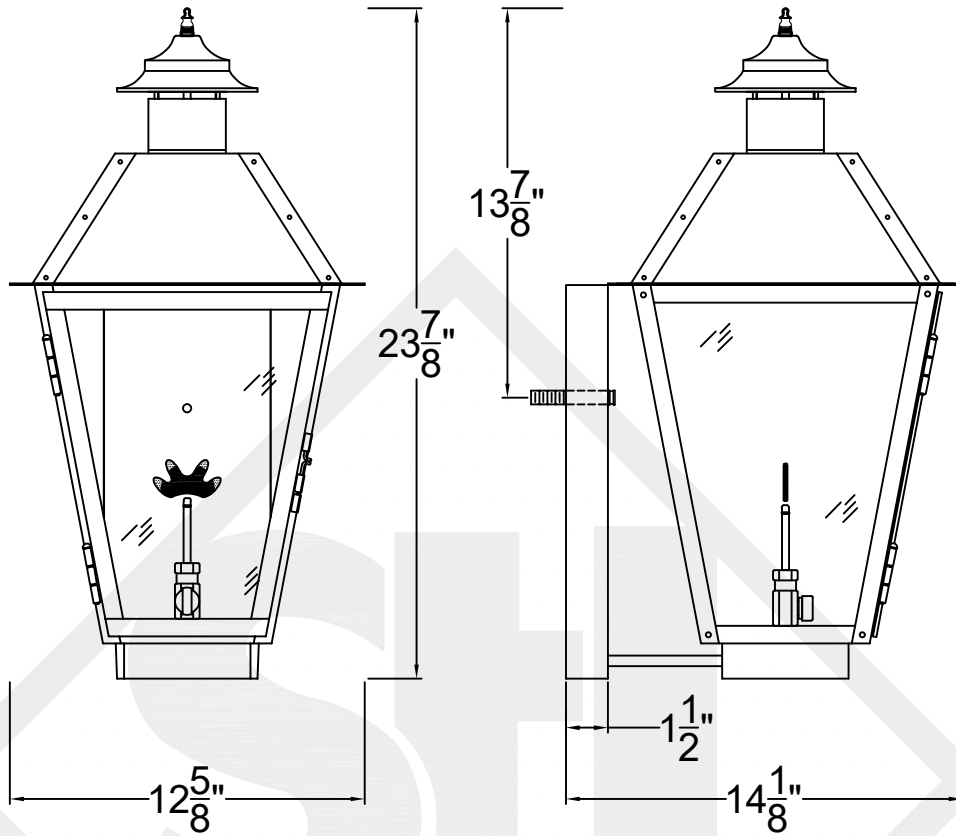
SCALE: N.T.S.	DRAFT: Y. McCullough
FILE: MAGS	APP'D: J. Ragan
JOB: X	DATE: 1/5/24

Lights are handcrafted.
Dimensions may vary by 1/4"

B.T.U. Rating
Natural Gas: 2730 B.T.U.
Propane: 2080 B.T.U.

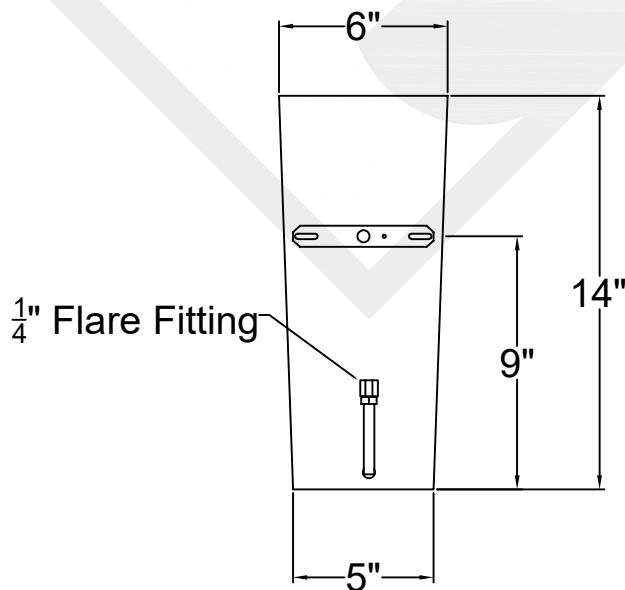
MAGNOLIA MEDIUM COPPER WALL BRACKET

Available w/ Solid
or Glass Top



Front View

Side View



Backplate



St. James
LIGHTING

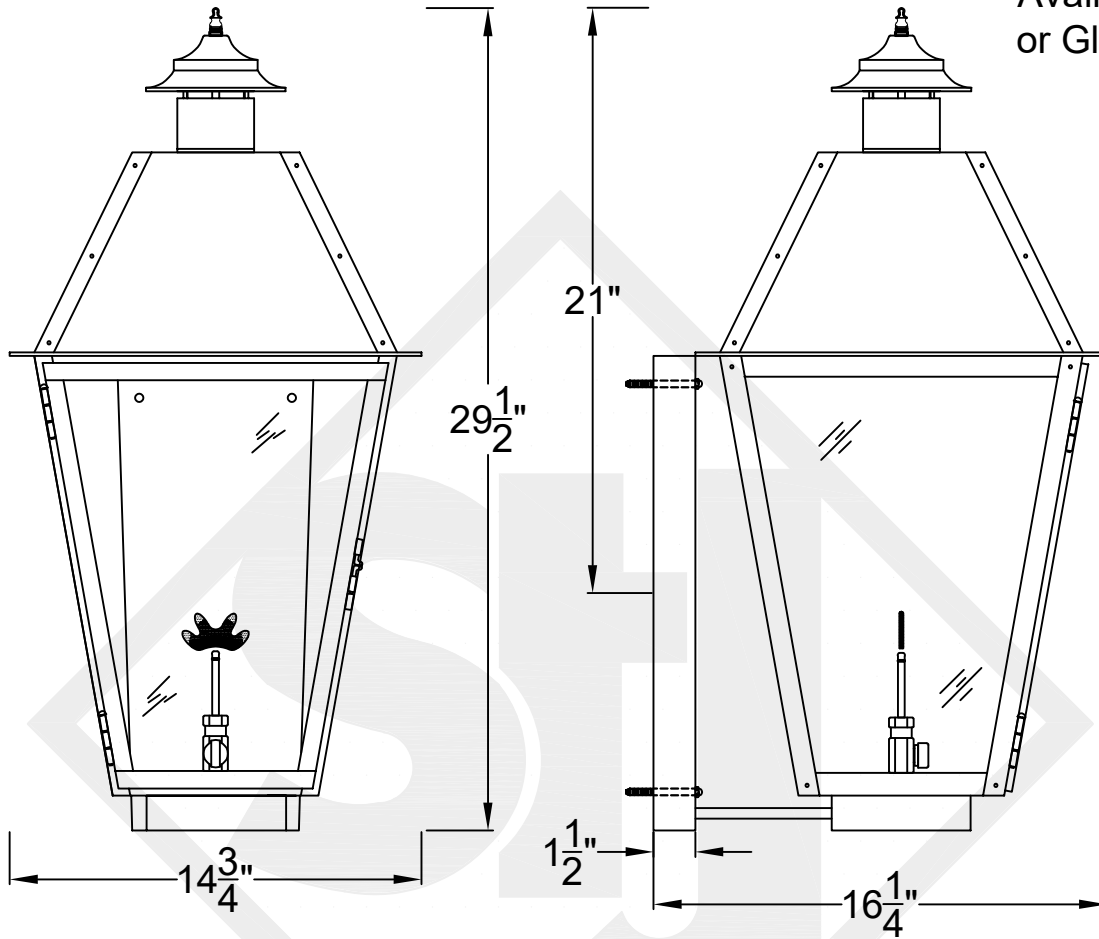
SCALE: N.T.S.	DRAFT: Y. McCullough
FILE: MAGM	APP'D: J. Ragan
JOB: X	DATE: 1/5/24

Lights are handcrafted.
Dimensions may vary by 1/4"

B.T.U. Rating
Natural Gas: 2730 B.T.U.
Propane: 2080 B.T.U.

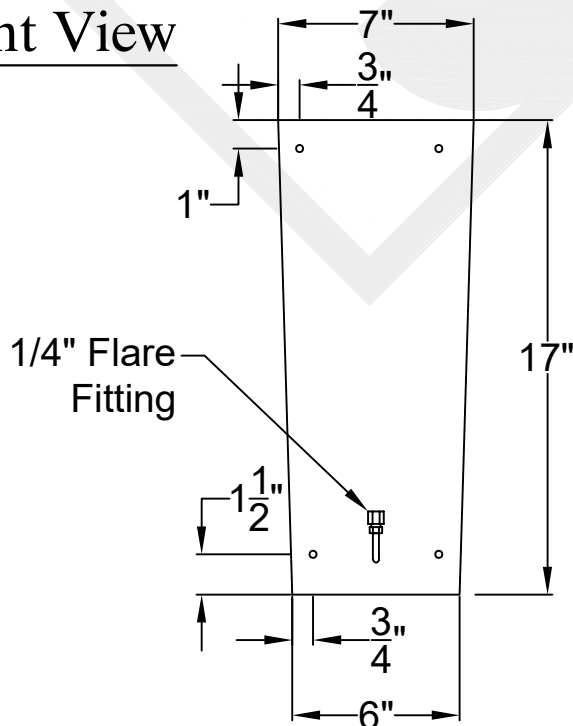
MAGNOLIA LARGE COPPER WALL BRACKET

Available w/ Solid
or Glass Top



Front View

Side View



Backplate



St. James
LIGHTING

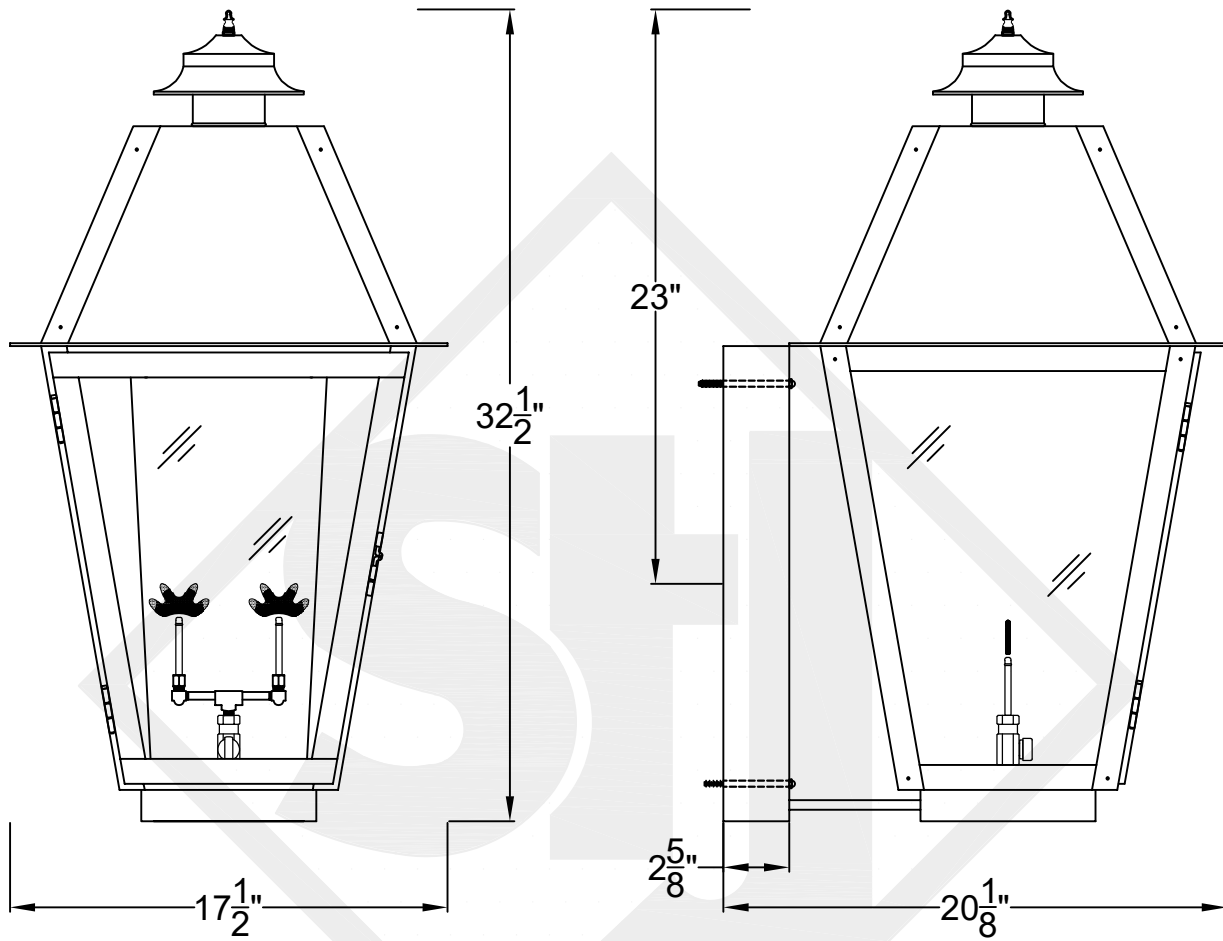
SCALE: N.T.S.	DRAFT: Y. McCullough
FILE: MAGL	APP'D: J. Ragan
JOB: X	DATE: 1/5/24

Lights are handcrafted.
Dimensions may vary by 1/4"

B.T.U. Rating
Natural Gas: 2730 B.T.U.
Propane: 2080 B.T.U.

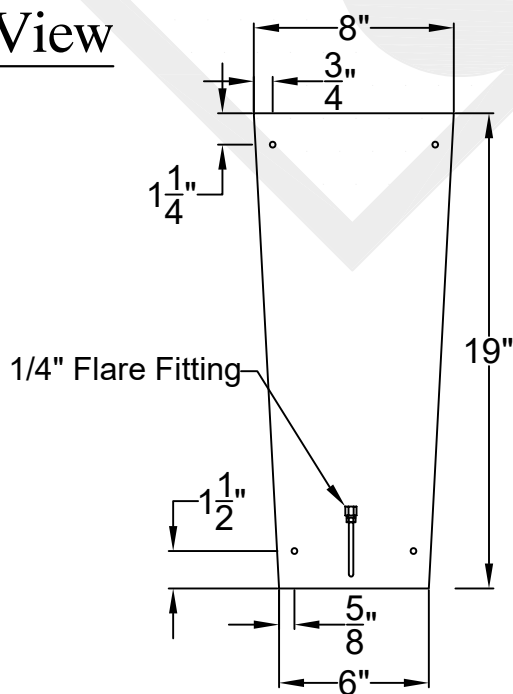
MAGNOLIA GRANDE COPPER WALL BRACKET

Available w/ Solid
or Glass Top



Front View

Side View



Backplate



St. James
LIGHTING

SCALE: N.T.S. DRAFT: Y. McCullough
FILE: MAGG APP'D: J. Ragan
JOB: X DATE: 12/6/23

Lights are handcrafted.
Dimensions may vary by 1/4"

B.T.U. Rating
Natural Gas: 5460 B.T.U.
Propane: 4160 B.T.U.