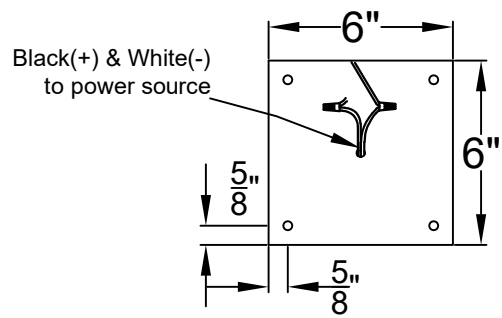
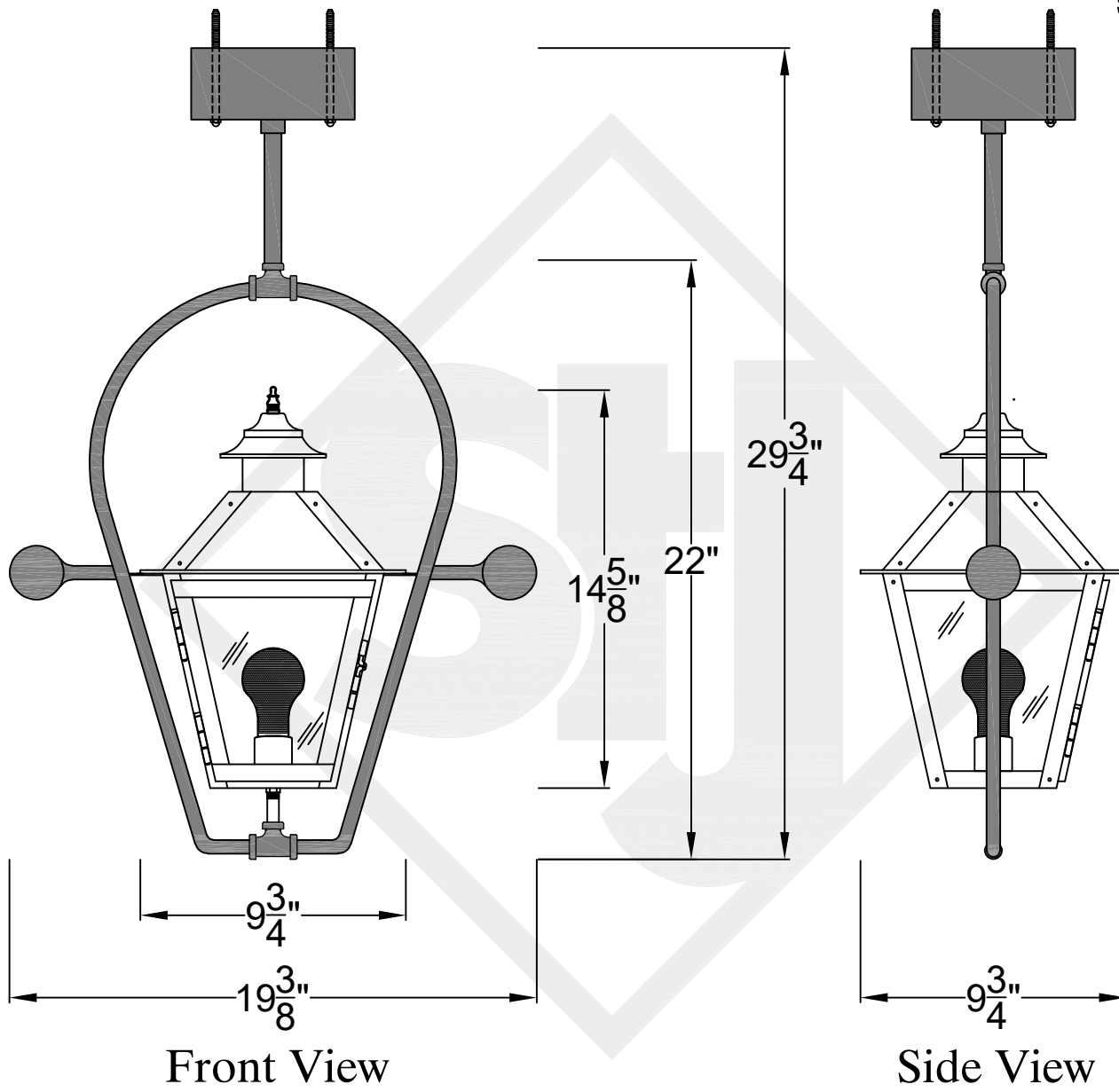


# MAGNOLIA MINI CEILING MOUNT FULL YOKE

Available w/ Solid  
or Glass Top  
Shortest Height 26"



## Ceiling Mount



St. James  
LIGHTING

SCALE: N.T.S.      DRAFT: Y. McCullough  
FILE: MAGMINI      APP'D: J. Ragan  
JOB: X              DATE: 11/20/23

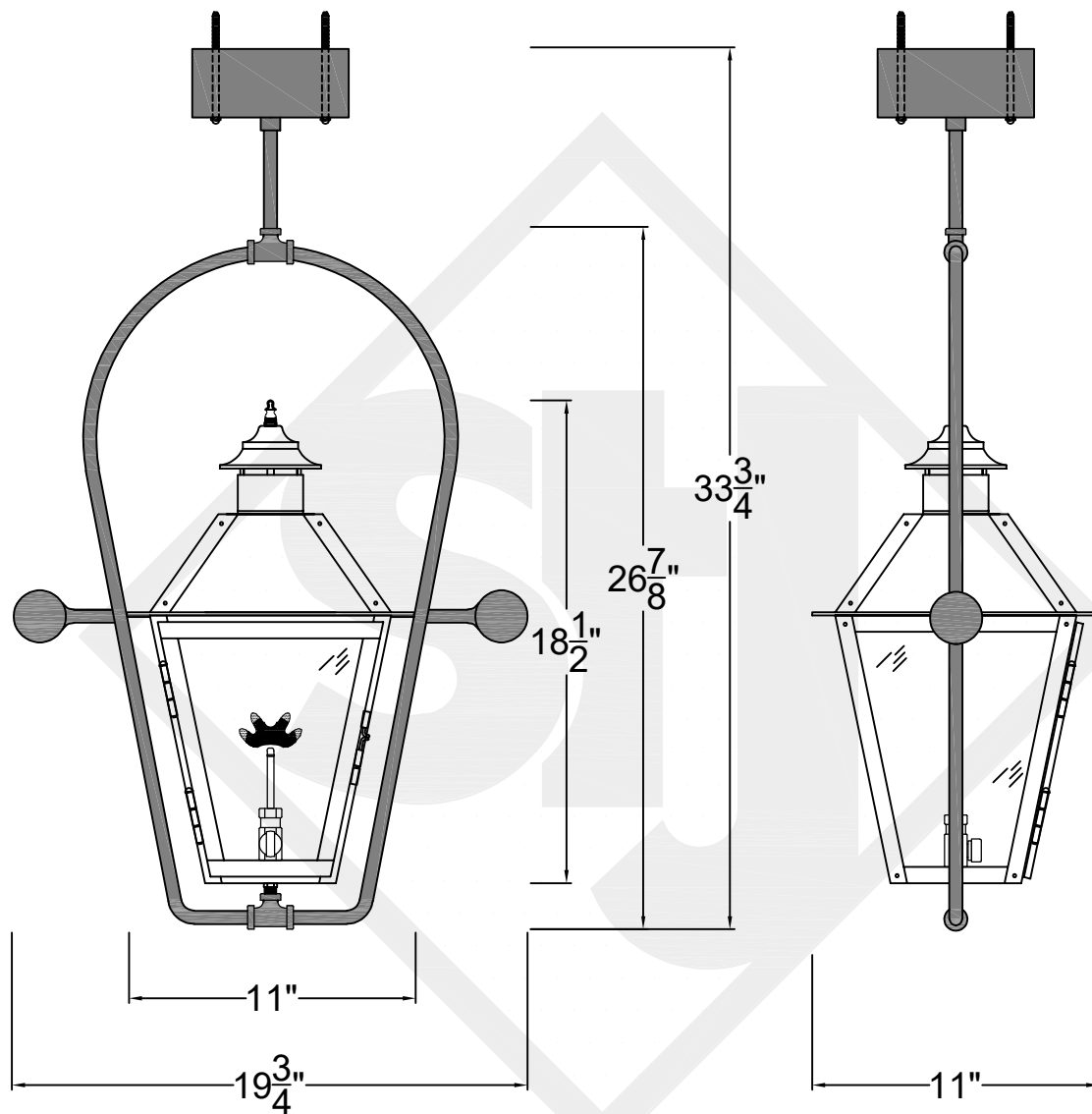
Lights are handcrafted.  
Dimensions may vary by 1/4"

Mini not Available in Gas

UL Certified  
Candelabra- Max 60 Watt Bulb  
Edison- Max 660 Watt Bulb

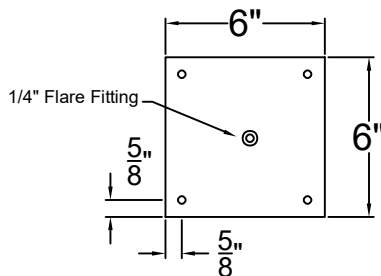
# MAGNOLIA SMALL CEILING MOUNT FULL YOKE

Available w/ Solid  
or Glass Top  
Shortest Height 31"



Front View

Side View



Ceiling Mount



St. James  
LIGHTING

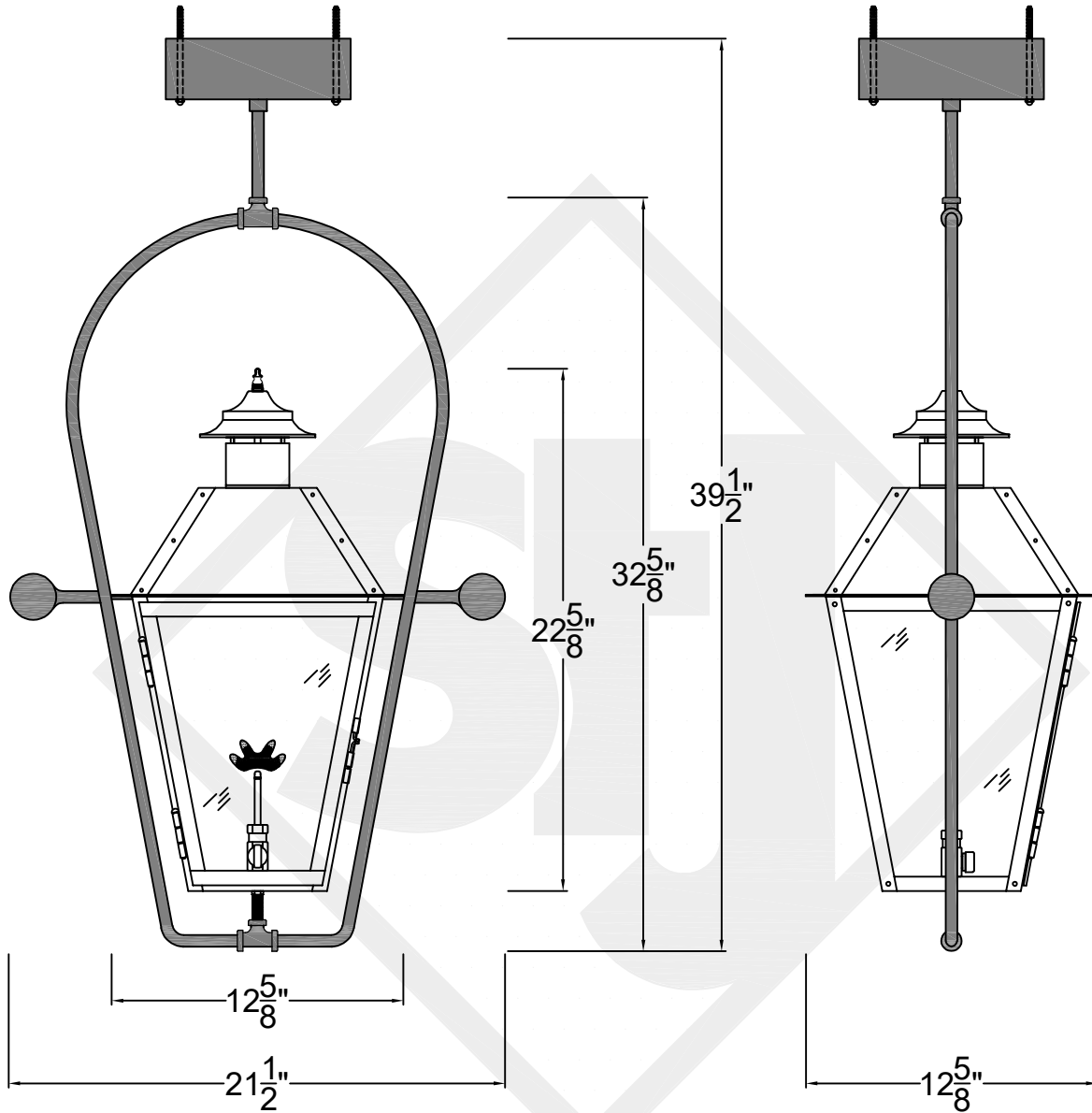
SCALE: N.T.S.	DRAFT: Y. McCullough
FILE: MAGS	APP'D: J. Ragan
JOB: X	DATE: 1/5/24

Lights are handcrafted.  
Dimensions may vary by 1/4"

B.T.U. Rating  
Natural Gas: 2730 B.T.U.  
Propane: 2080 B.T.U.

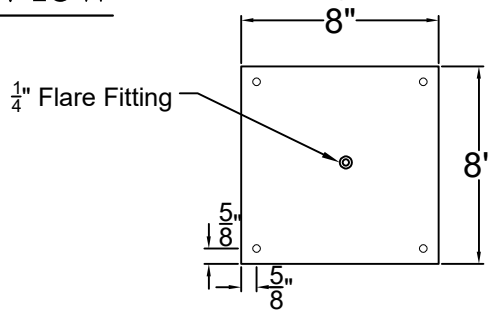
# MAGNOLIA MEDIUM CEILING MOUNT FULL YOKE

Available w/ Solid  
or Glass Top  
Shortest Height  $36\frac{3}{4}$ "



Front View

Side View



Ceiling Mount



St. James  
LIGHTING

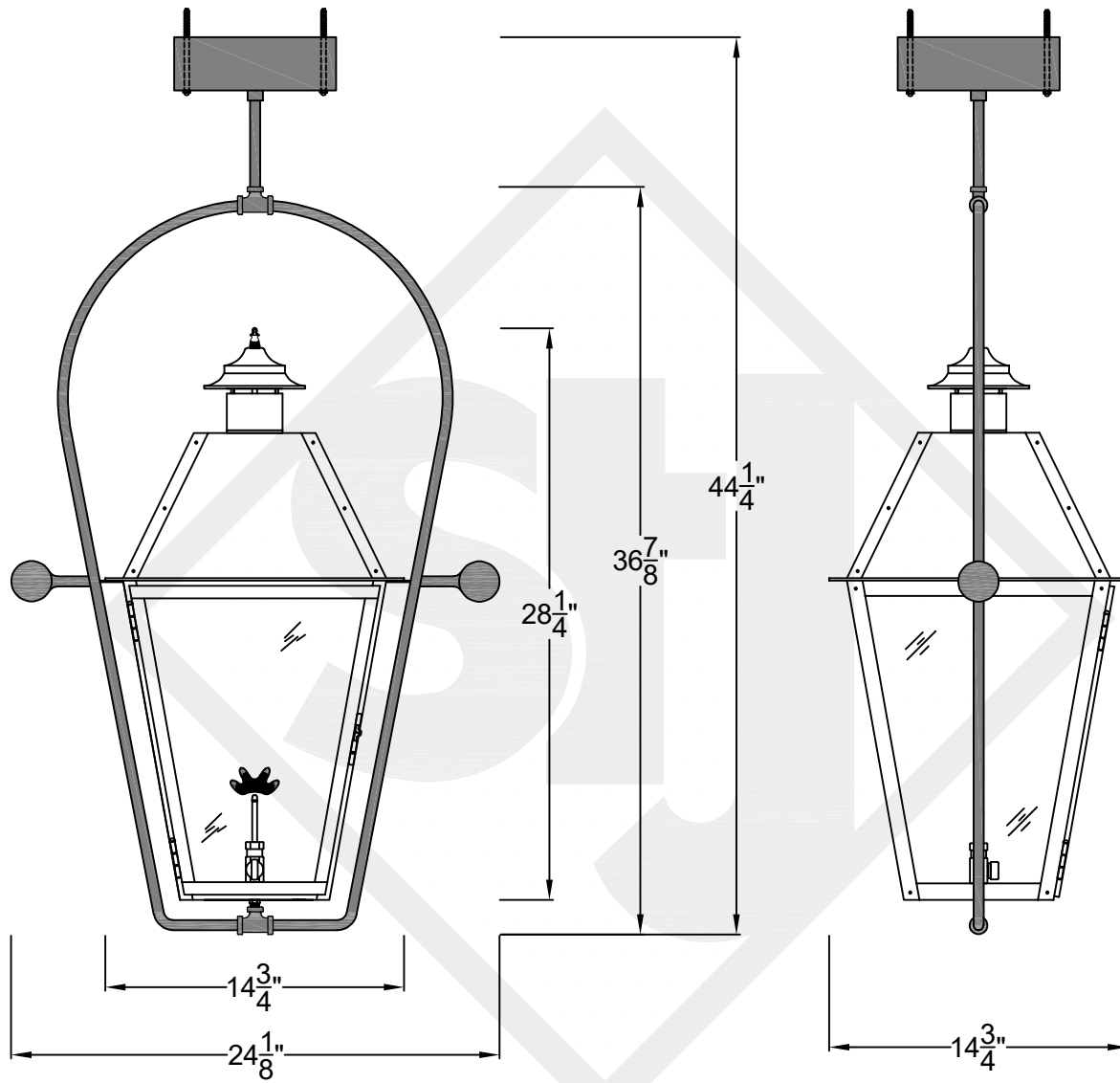
SCALE: N.T.S.      DRAFT: Y. McCullough  
FILE: MAGM      APP'D: J. Ragan  
JOB: X      DATE: 1/5/24

Lights are handcrafted.  
Dimensions may vary by  $1/4$ "

B.T.U. Rating  
Natural Gas: 2730 B.T.U.  
Propane: 2080 B.T.U.

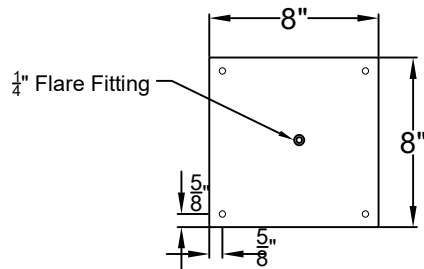
# MAGNOLIA LARGE CEILING MOUNT FULL YOKE

Available w/ Solid  
or Glass Top  
Shortest Height 41"



Front View

Side View



Ceiling Mount



St. James  
LIGHTING

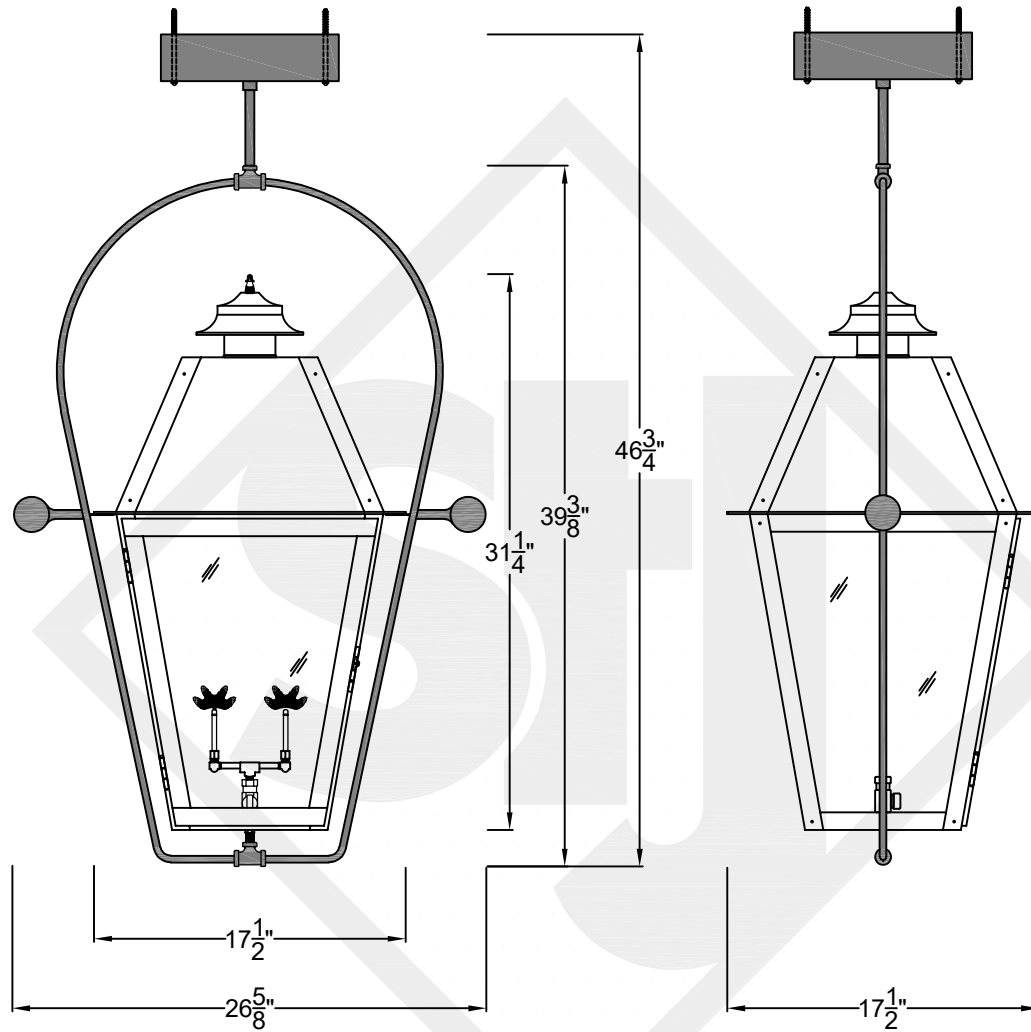
SCALE: N.T.S.	DRAFT: Y. McCullough
FILE: MAGL	APP'D: J. Ragan
JOB: X	DATE: 1/5/24

Lights are handcrafted.  
Dimensions may vary by 1/4"

B.T.U. Rating  
Natural Gas: 2730 B.T.U.  
Propane: 2080 B.T.U.

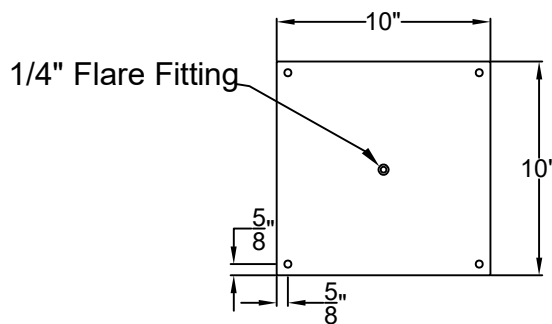
# MAGNOLIA GRANDE CEILING MOUNT FULL YOKE

Available w/ Solid  
or Glass Top  
Shortest Height 43 1/2"



Front View

Side View



Ceiling Mount



St. James  
LIGHTING

SCALE: N.T.S.      DRAFT: Y. McCullough  
FILE: MAGG      APP'D: J. Ragan  
JOB: X      DATE: 11/20/23

Lights are handcrafted.  
Dimensions may vary by 1/4"

B.T.U. Rating  
Natural Gas: 5460 B.T.U.  
Propane: 4160 B.T.U.