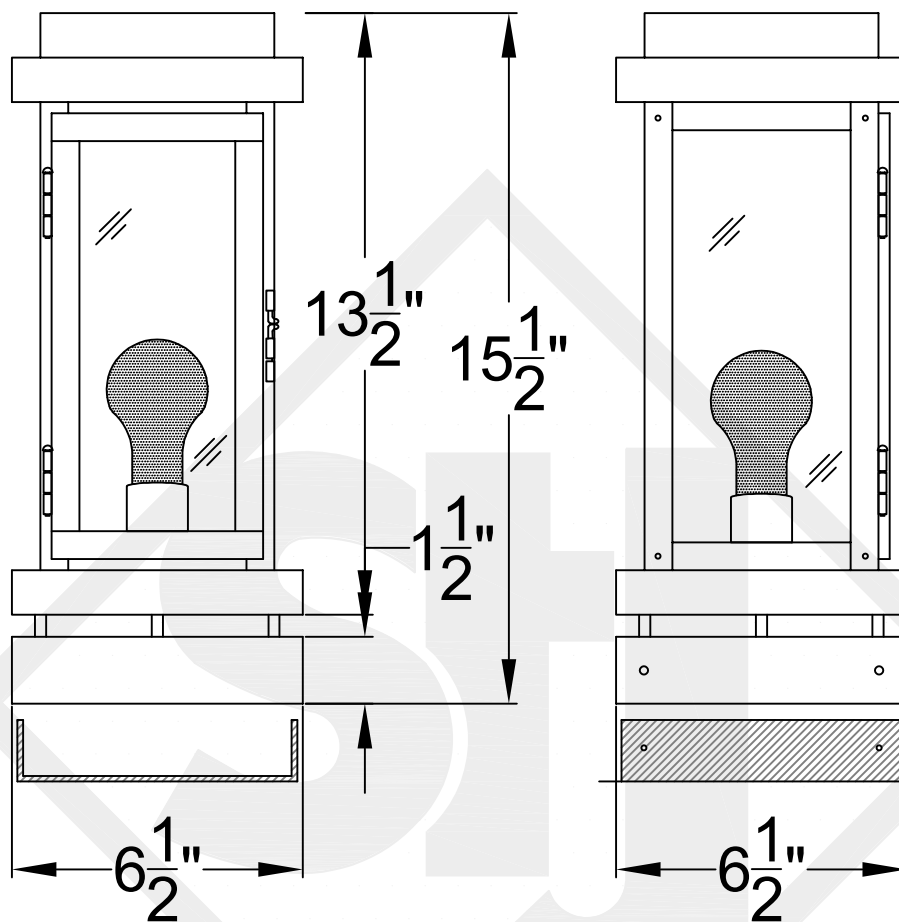


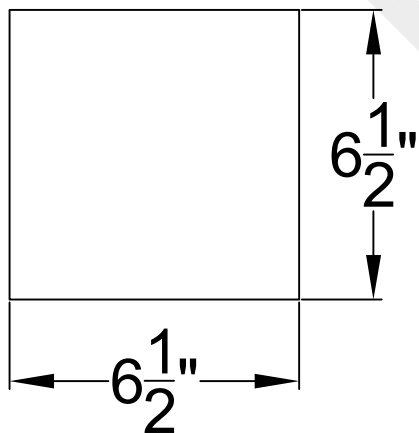
WINNIPEG MINI COPPER PIER MOUNT



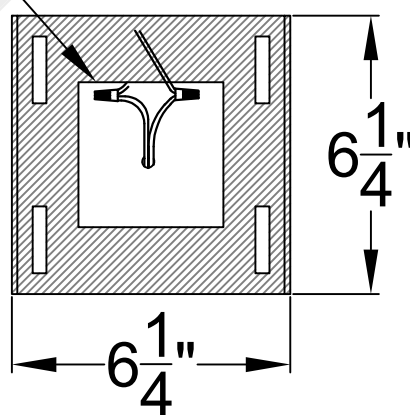
Front View

Side View

Black(+) & White(-)
to power source



Pier Mount



Steel Insert



St. James
LIGHTING

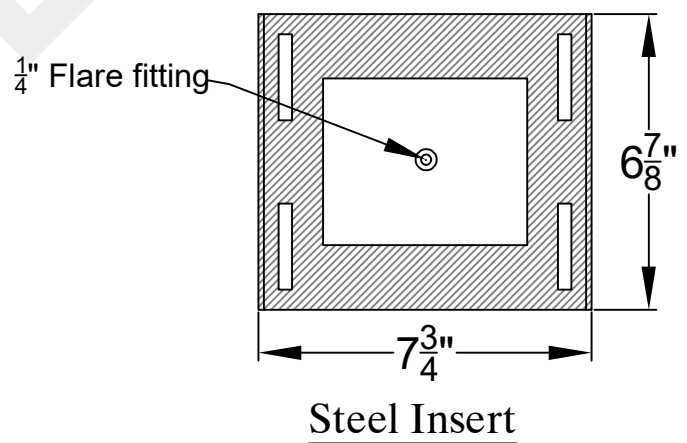
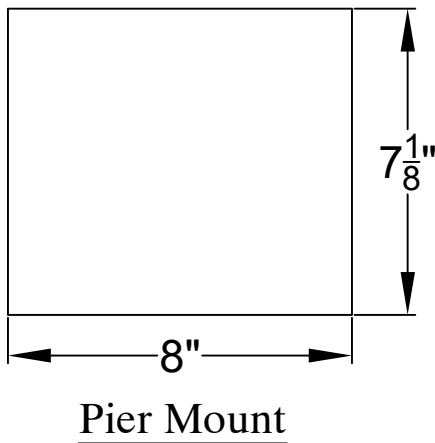
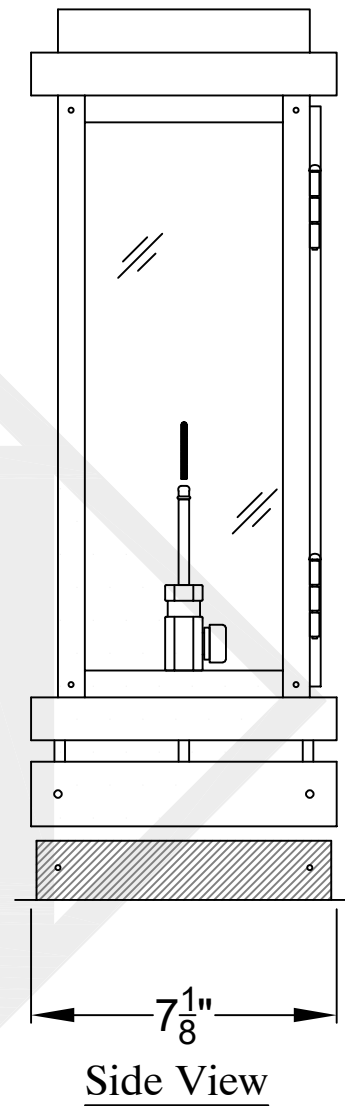
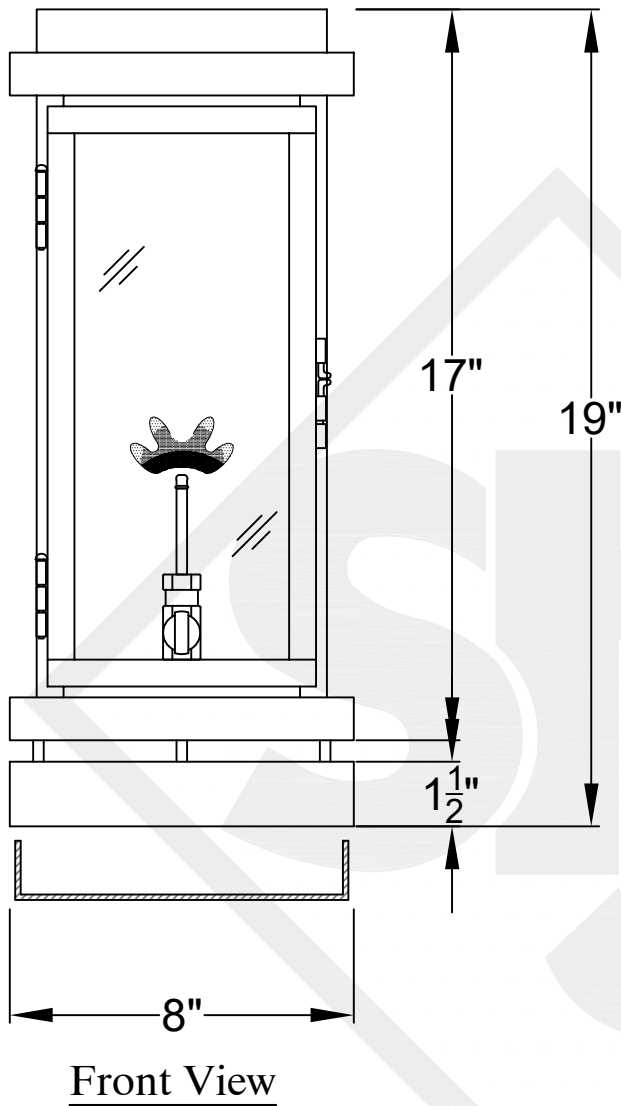
SCALE: N.T.S. DRAFT: Y. McCullough
FILE: WINMINI APP'D: J. Ragan
JOB: X DATE: 11/4/24

Lights are handcrafted.
Dimensions may vary by 1/4"

Mini not Available in Gas

UL Certified
Candelabra- Max 60 Watt Bulb
Edison- Max 660 Watt Bulb

WINNIPEG SMALL COPPER PIER MOUNT



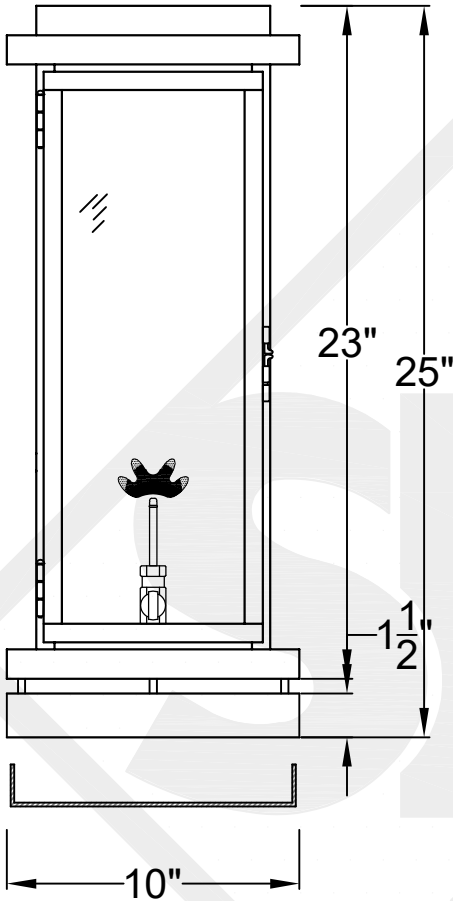
**St. James
LIGHTING**

SCALE: N.T.S.	DRAFT: Y. McCullough
FILE: WINS	APP'D: J. Ragan
JOB: X	DATE: 11/4/24

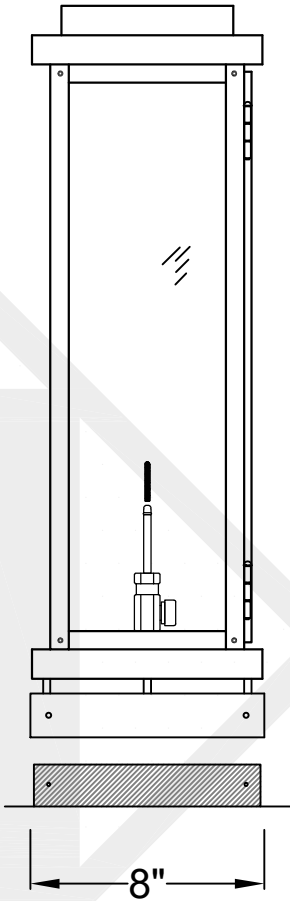
Lights are handcrafted.
Dimensions may vary by 1/4"

B.T.U. Rating
Natural Gas: 2730 B.T.U.
Propane: 2080 B.T.U.

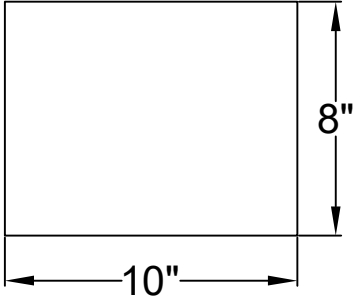
WINNIPEG MEDIUM COPPER PIER MOUNT



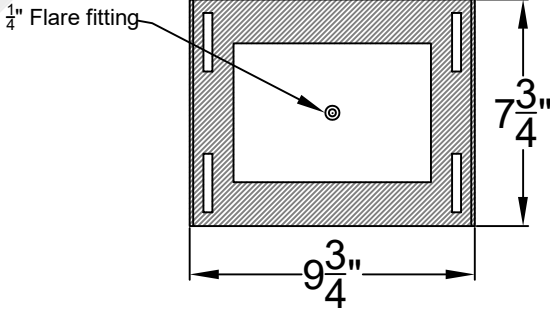
Front View



Side View



Pier Mount



Steel Insert



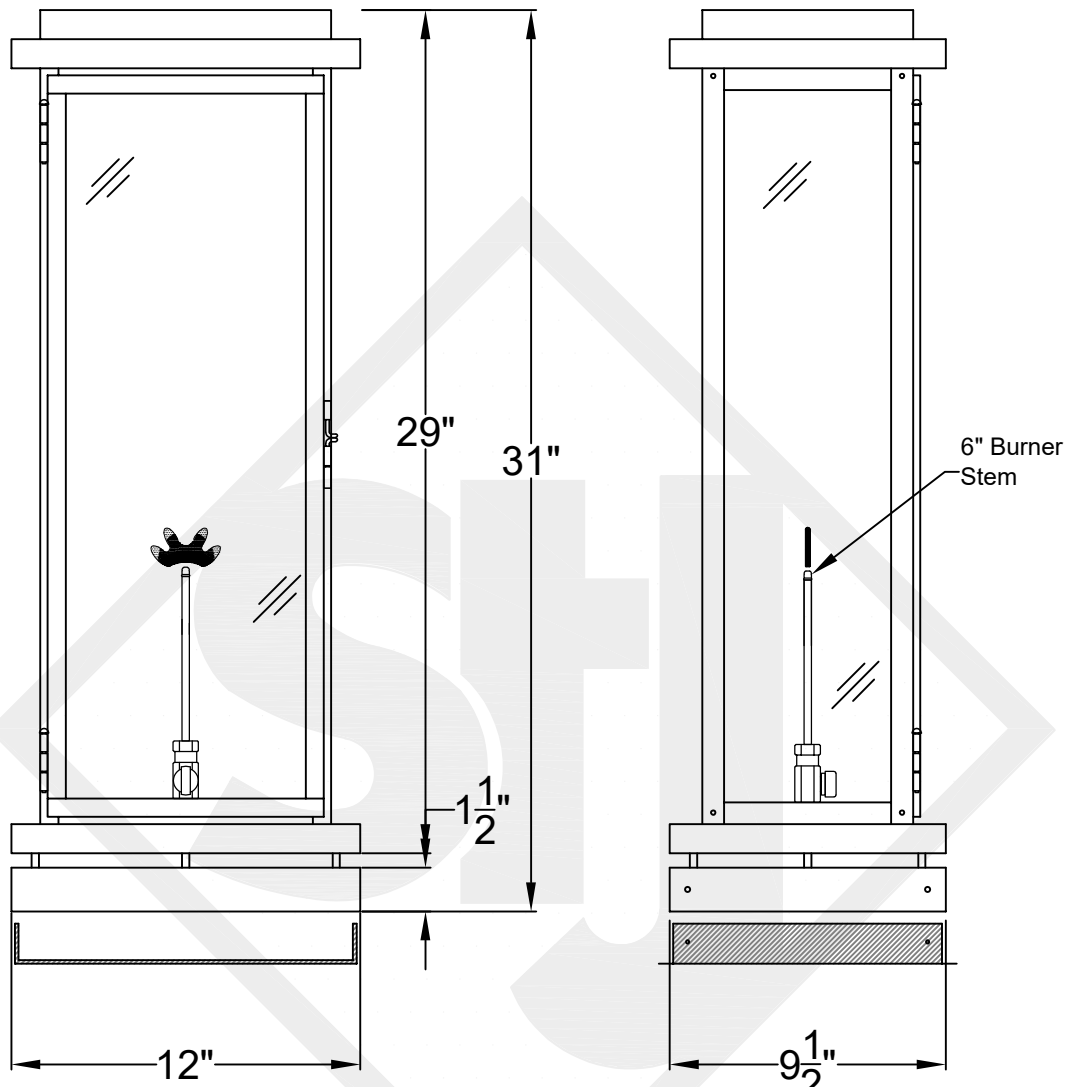
**St. James
LIGHTING**

SCALE: N.T.S. **DRAFT:** Y. McCullough
FILE: WINM **APP'D:** J. Ragan
JOB: X **DATE:** 11/14/24

Lights are handcrafted.
Dimensions may vary by 1/4"

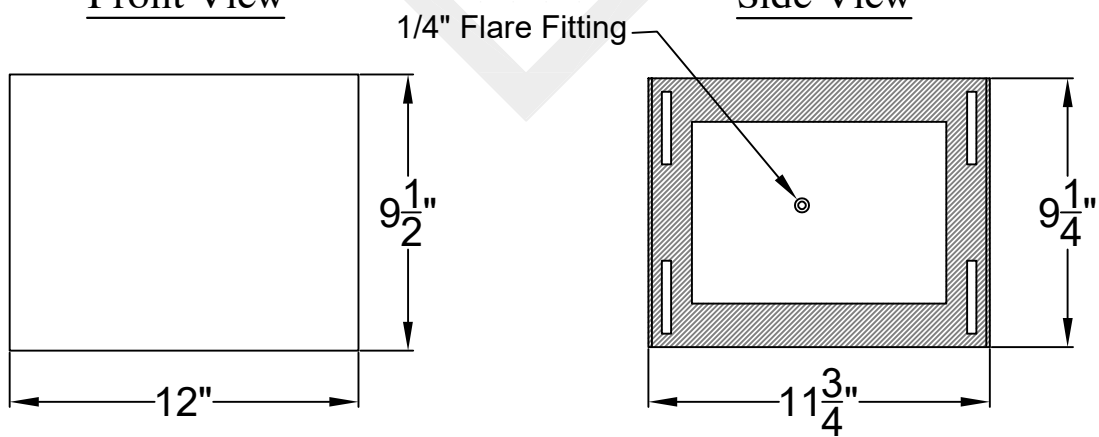
B.T.U. Rating
Natural Gas: 2730 B.T.U.
Propane: 2080 B.T.U.

WINNIPEG LARGE COPPER PIER MOUNT



Front View

Side View



Pier Mount

Steel Insert



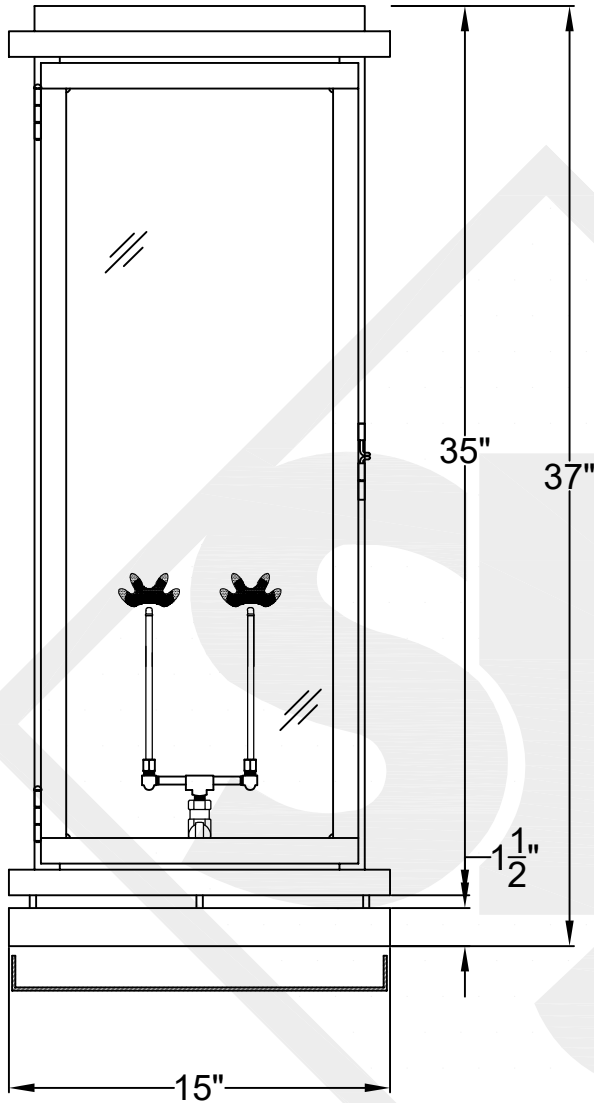
St. James
LIGHTING

SCALE: N.T.S.	DRAFT: Y. McCullough
FILE: WINL	APP'D: J. Ragan
JOB: X	DATE: 11/4/24

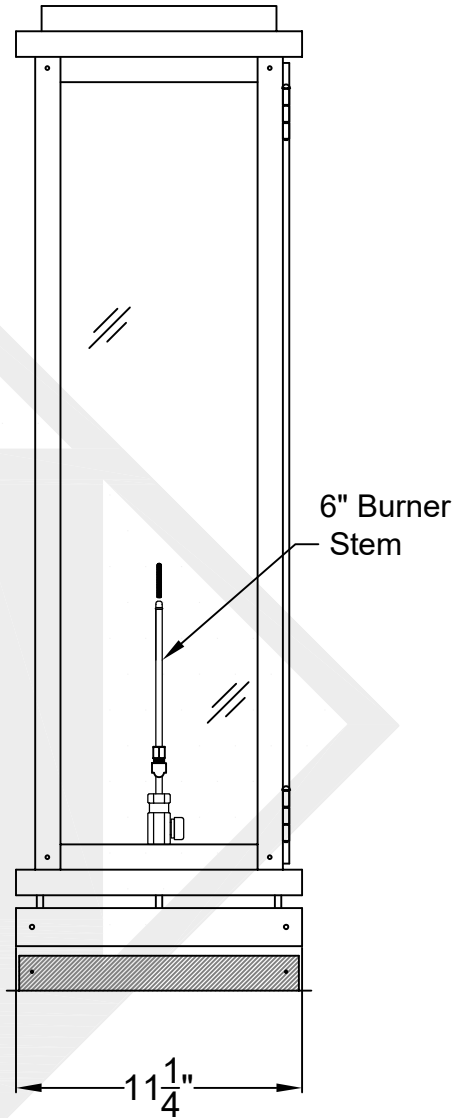
Lights are handcrafted.
Dimensions may vary by 1/4"

B.T.U. Rating
Natural Gas: 2730 B.T.U.
Propane: 2080 B.T.U.

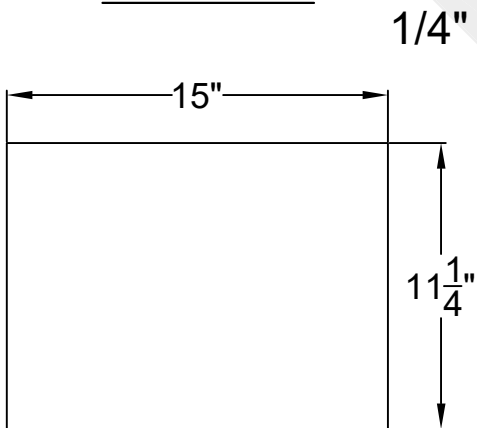
WINNIPEG GRANDE COPPER PIER MOUNT



Front View

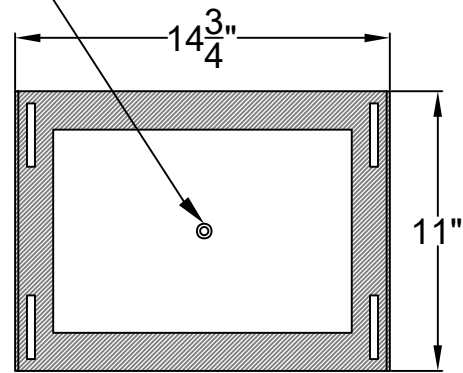


Side View



Pier Mount

1/4" Flare Fitting



Steel Insert



St. James
LIGHTING

SCALE: N.T.S.	DRAFT: Y. McCullough
FILE: WING	APP'D: J. Ragan
JOB: X	DATE: 11/4/24

Lights are handcrafted.
Dimensions may vary by 1/4"

B.T.U. Rating
Natural Gas: 5460 B.T.U.
Propane: 4160 B.T.U.