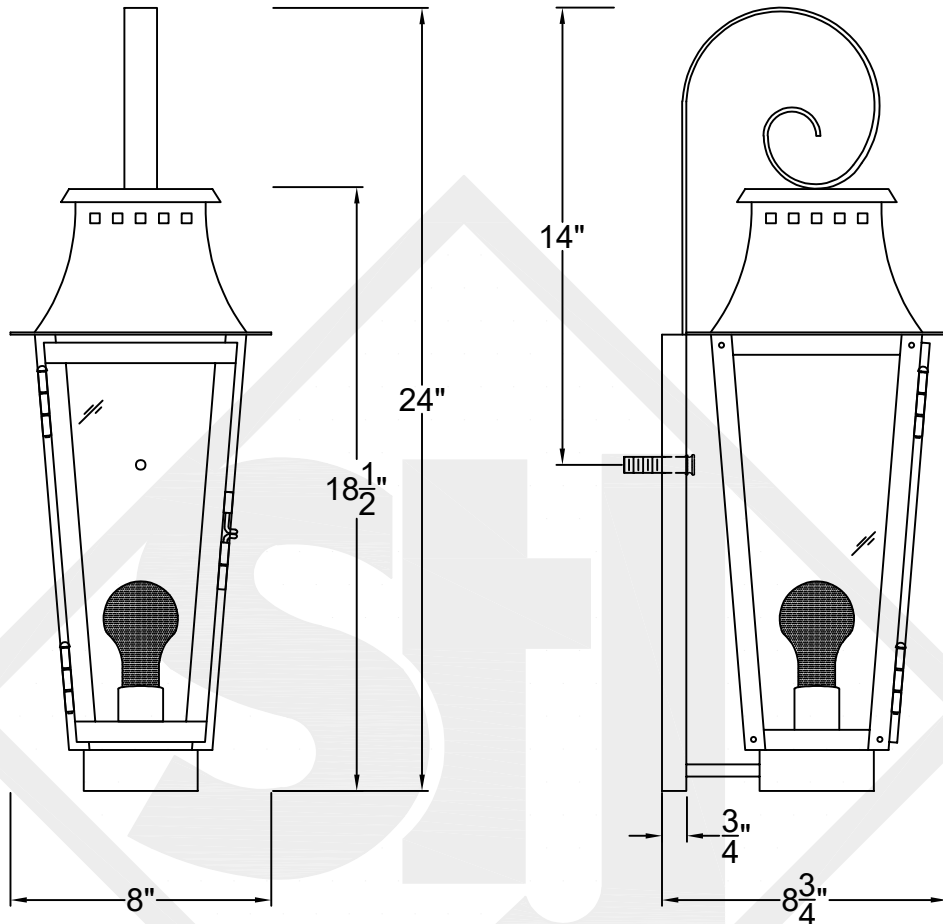
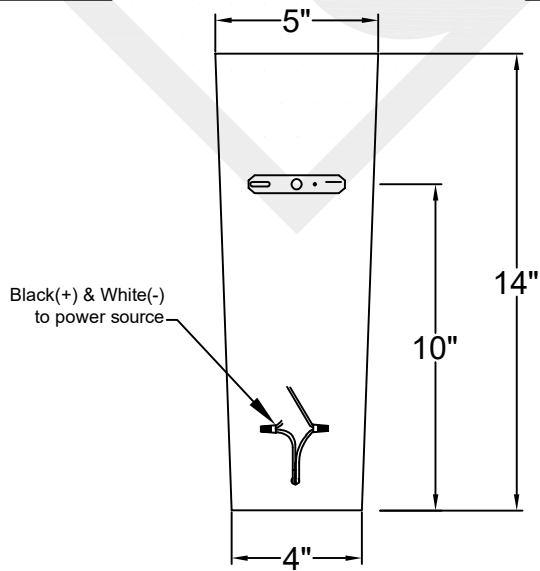


# WOOD DALE MINI COPPER WALL BRACKET



Front View

Side View



Backplate



St. James  
LIGHTING

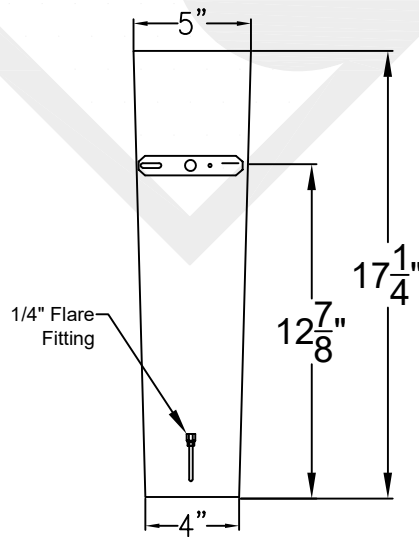
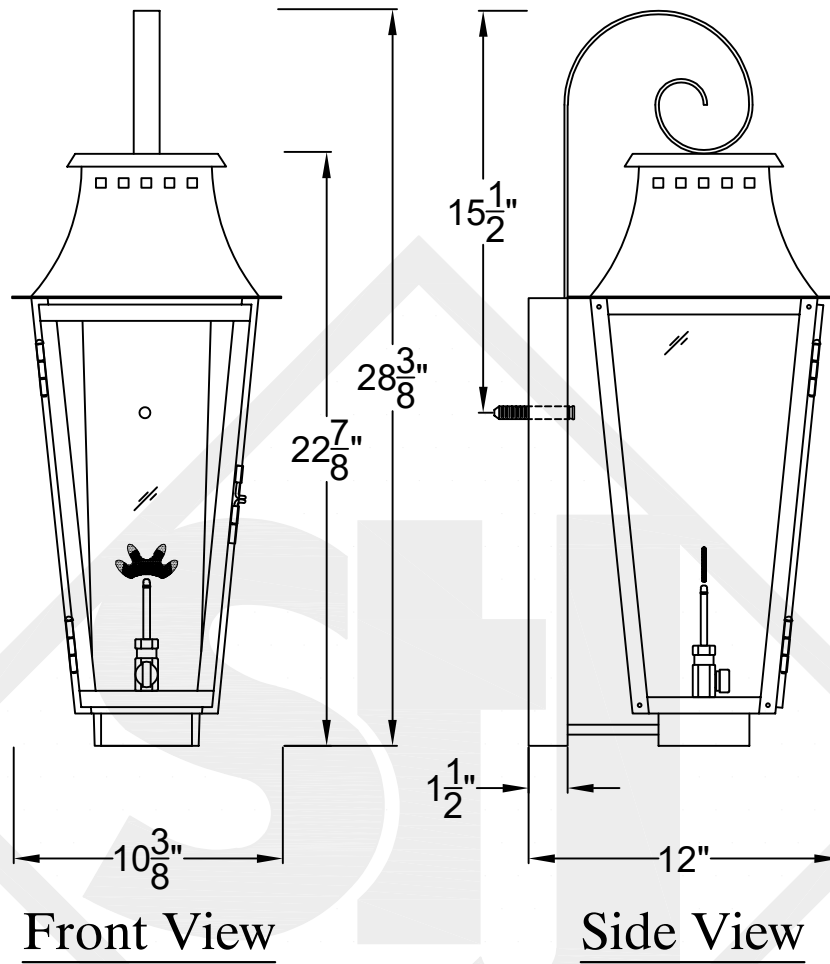
SCALE: N.T.S.	DRAFT: J. Grippo
FILE: WOOMINI	APP'D: J. Ragan
JOB: X	DATE: 11-15-2023

Lights are handcrafted.  
Dimensions may vary by 1/4"

**Mini not Available in Gas**

UL Certified  
Candelabra- Max 60 Watt Bulb  
Edison- Max 660 Watt Bulb

# WOOD DALE SMALL COPPER WALL BRACKET



Backplate



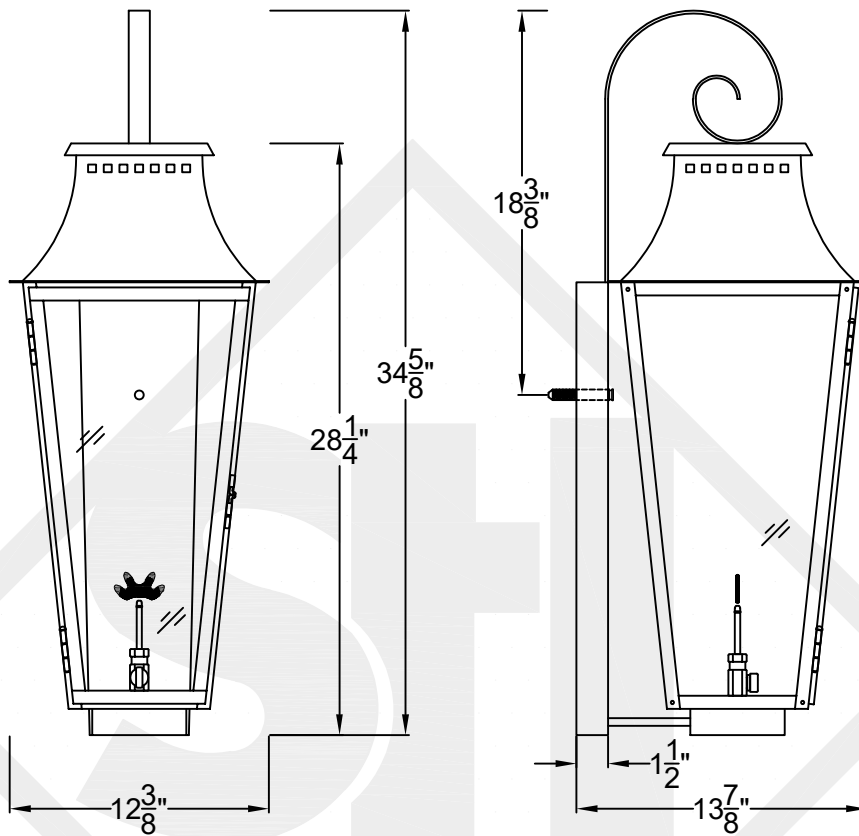
St. James  
LIGHTING

SCALE: N.T.S.	DRAFT: Y. McCullough
FILE: WOOS	APP'D: J. Ragan
JOB: X	DATE: 2/29/24

Lights are handcrafted.  
Dimensions may vary by 1/4"

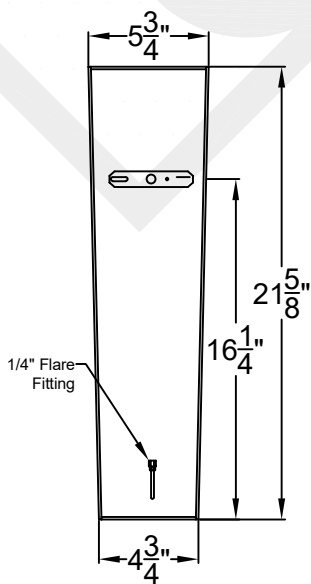
B.T.U. Rating  
Natural Gas: 2730 B.T.U.  
Propane: 2080 B.T.U.

# WOOD DALE MEDIUM COPPER WALL BRACKET



Front View

Side View



Backplate



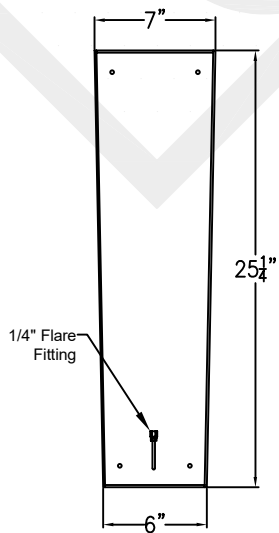
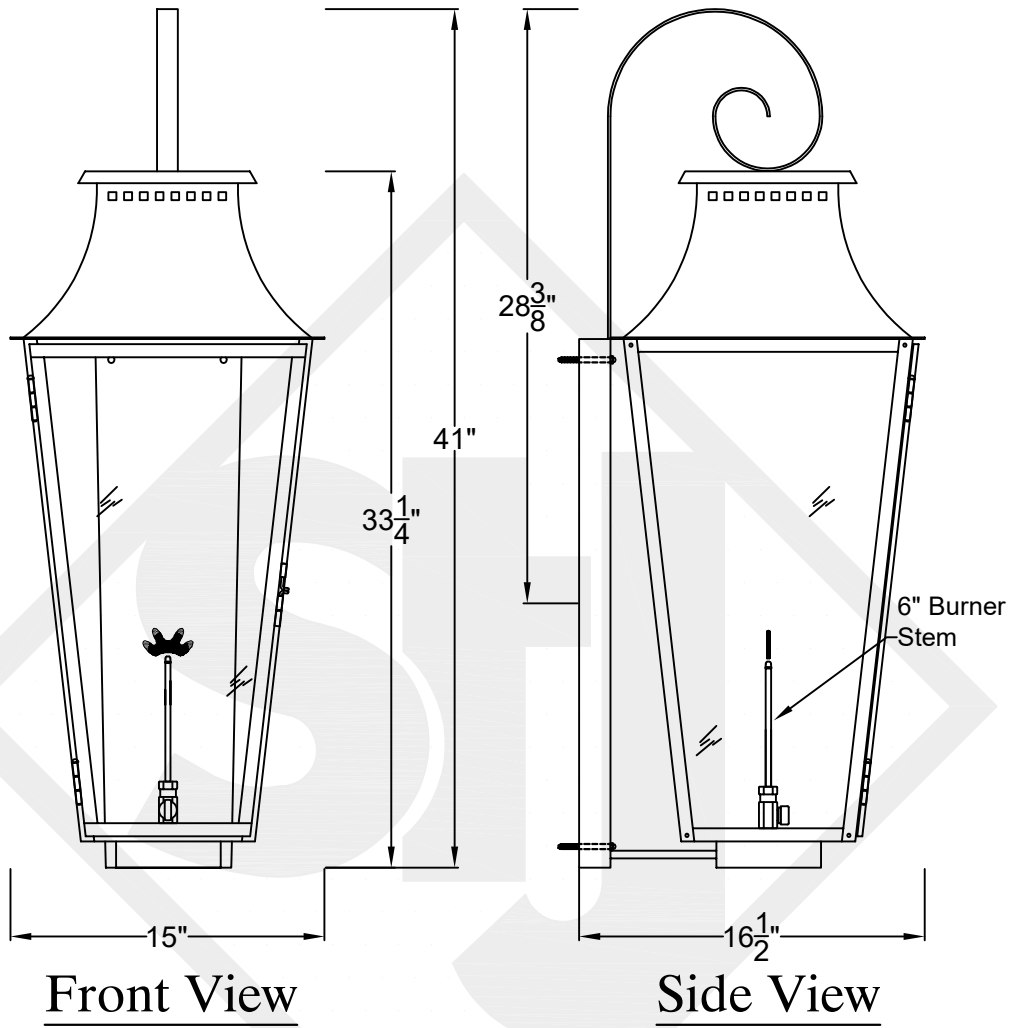
St. James  
LIGHTING

SCALE: N.T.S.	DRAFT: M. Buckley
FILE: WOOM	APP'D: J. Ragan
JOB: X	DATE: 9/11/23

Lights are handcrafted.  
Dimensions may vary by 1/4"

B.T.U. Rating  
Natural Gas: 2730 B.T.U.  
Propane: 2080 B.T.U.

# WOOD DALE LARGE COPPER WALL BRACKET



Backplate



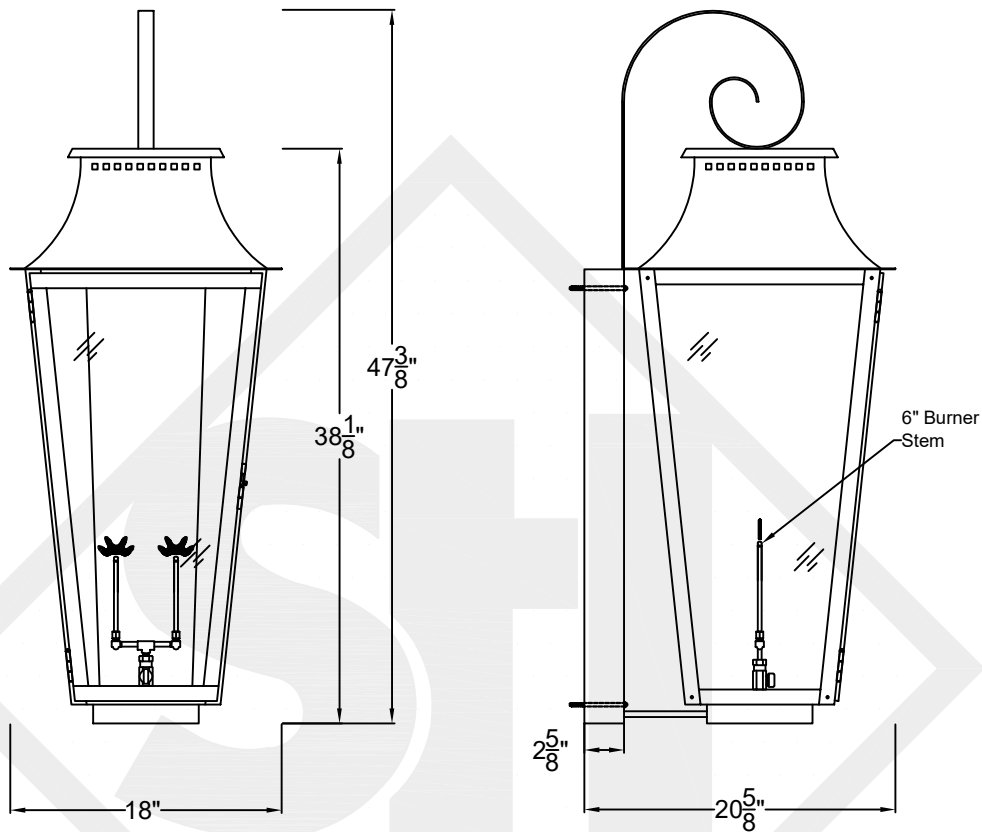
St. James  
LIGHTING

SCALE: N.T.S.	DRAFT: T. Herring
FILE: WOOL	APP'D: J. Ragan
JOB: X	DATE: 8-29-2023

Lights are handcrafted.  
Dimensions may vary by 1/4"

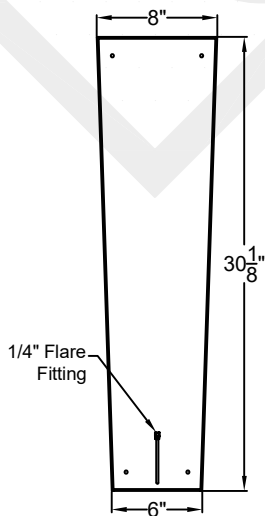
B.T.U. Rating  
Natural Gas: 2730 B.T.U.  
Propane: 2080 B.T.U.

# WOOD DALE GRANDE COPPER WALL BRACKET



Front View

Side View



Backplate



St. James  
LIGHTING

SCALE: N.T.S.	DRAFT: T. Herring
FILE: WOOG	APP'D: J. Ragan
JOB: X	DATE: 4-26-2023

Lights are handcrafted.  
Dimensions may vary by 1/4"

B.T.U. Rating  
Natural Gas: 5460 B.T.U.  
Propane: 4160 B.T.U.