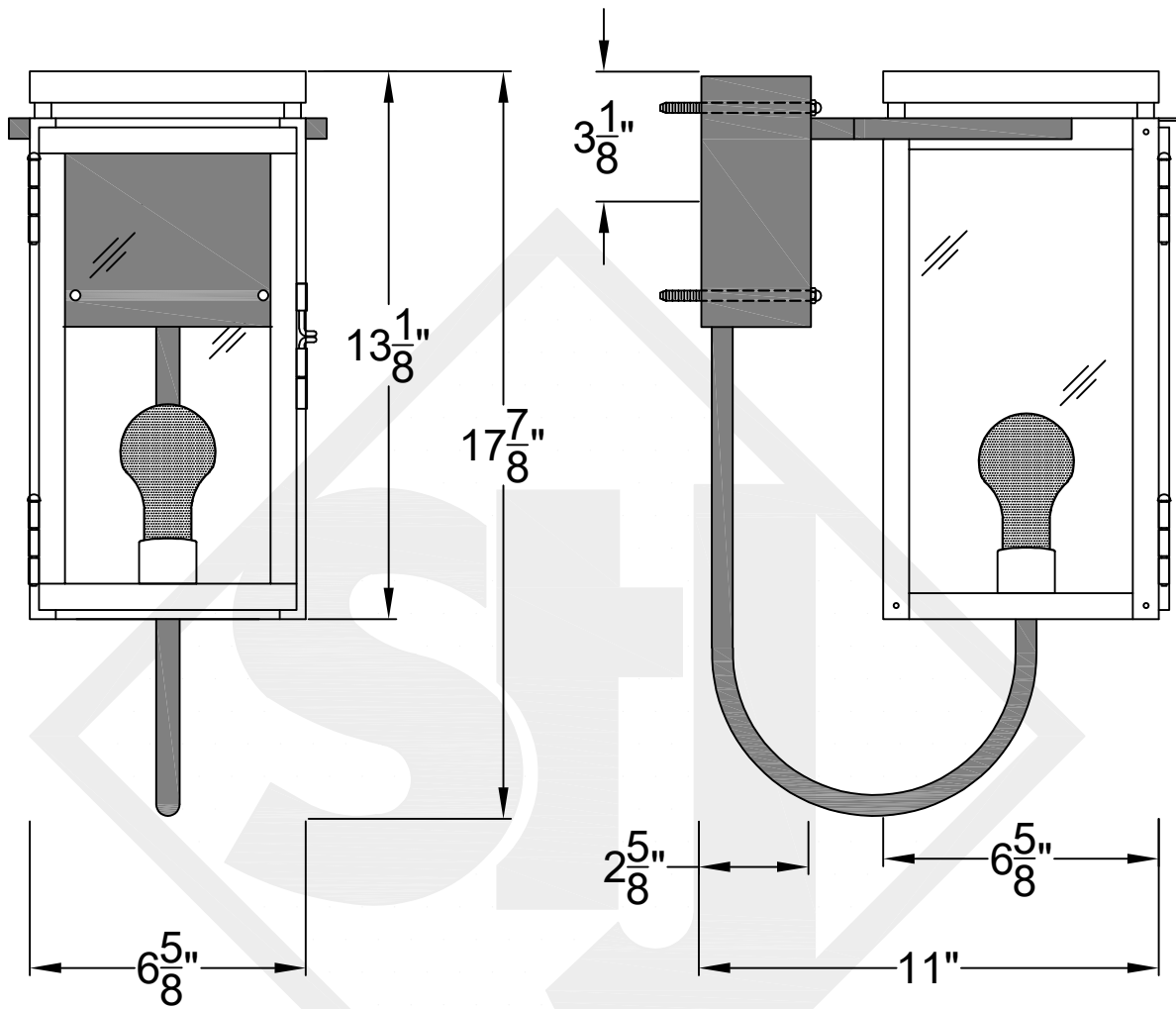
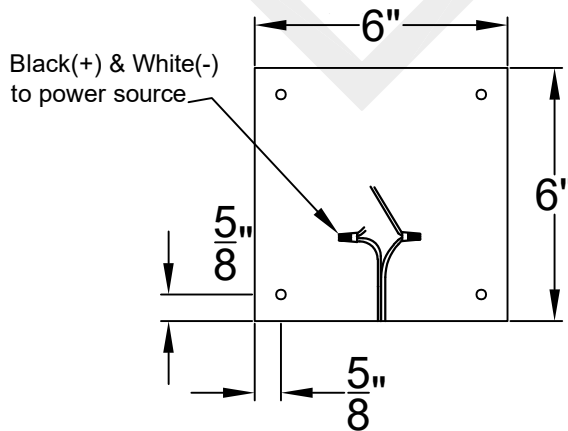


# FRISCO MINI STEEL WALL MOUNT



Front View

Side View



Backplate



St. James  
LIGHTING

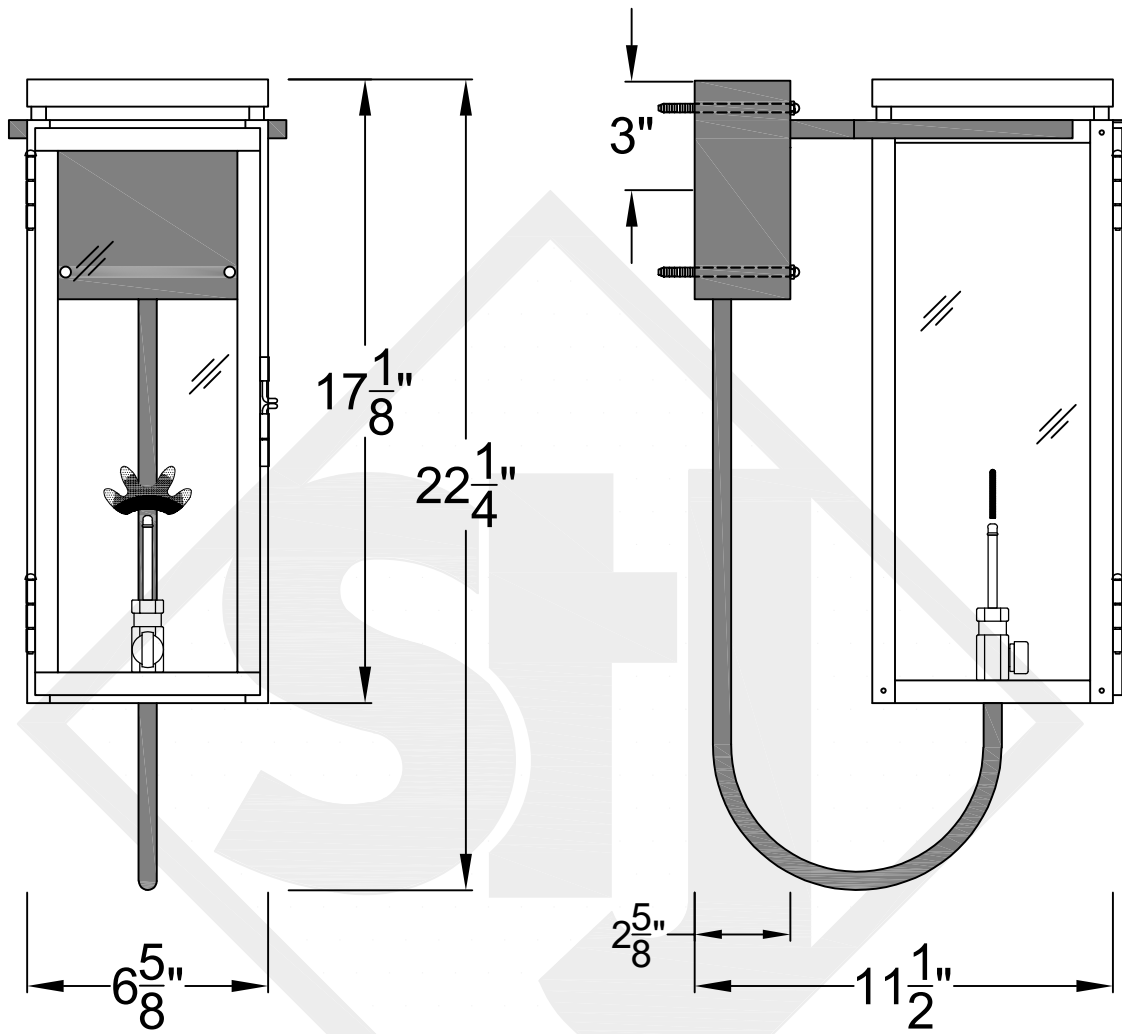
SCALE: N.T.S.	DRAFT: Y. McCullough
FILE: FRIMINI	APP'D: J. Ragan
JOB: X	DATE: 11/20/23

Lights are handcrafted.  
Dimensions may vary by 1/4"

**Mini not Available in Gas**

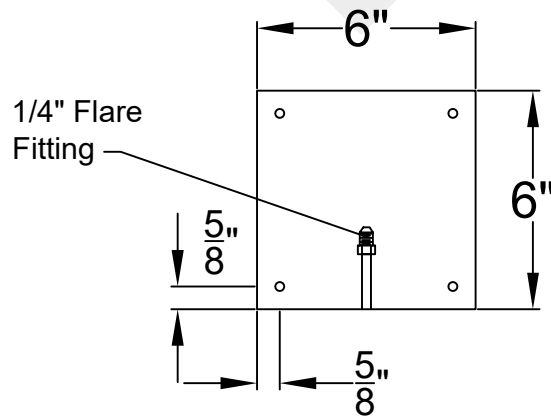
UL Certified  
Candelabra- Max 60 Watt Bulb  
Edison- Max 660 Watt Bulb

# FRISCO SMALL STEEL WALL MOUNT



Front View

Side View



Backplate



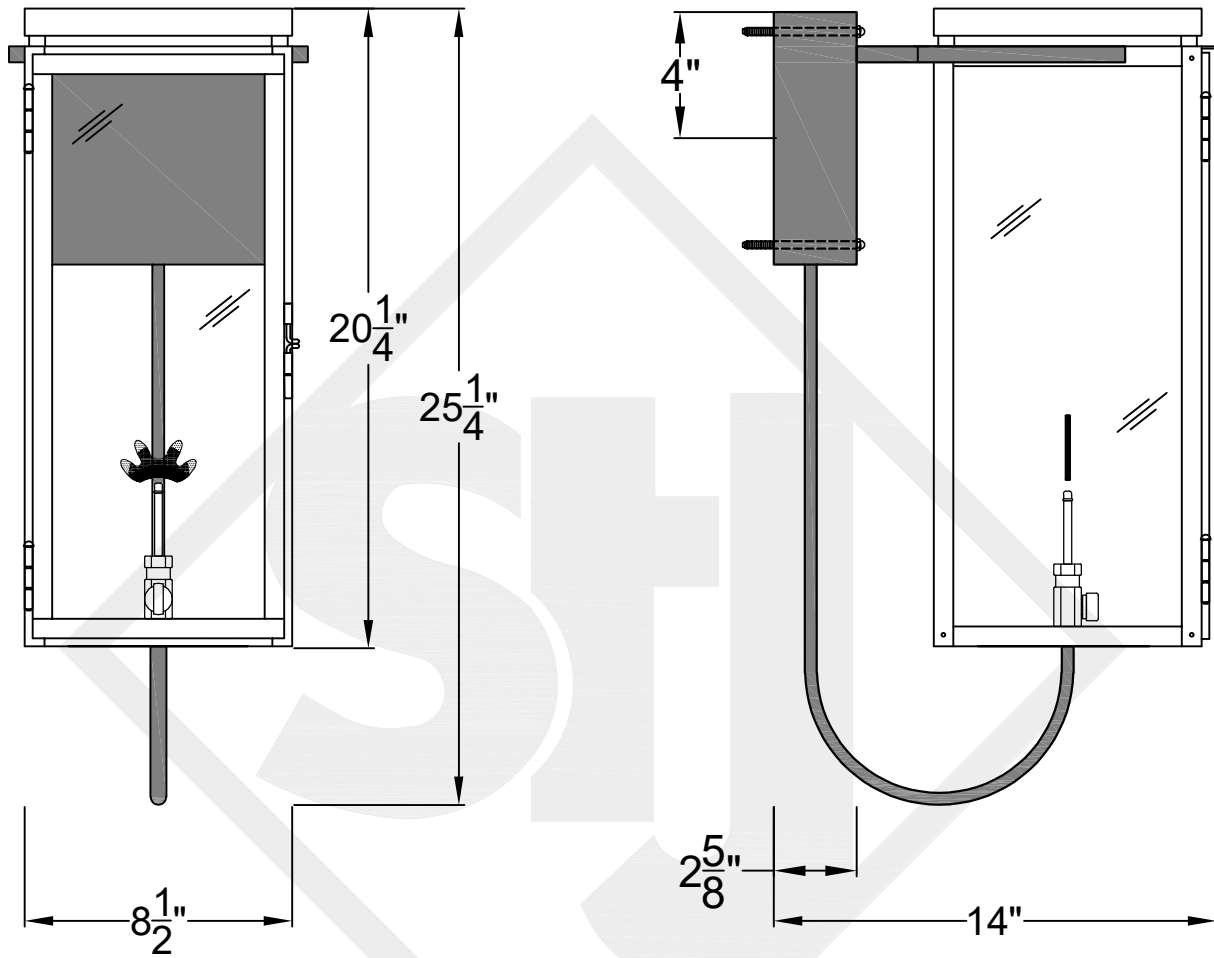
St. James  
LIGHTING

SCALE: N.T.S.	DRAFT: Y. McCullough
FILE: FRIS	APP'D: J. Ragan
JOB: X	DATE: 11/20/23

Lights are handcrafted.  
Dimensions may vary by  $1/4$ "

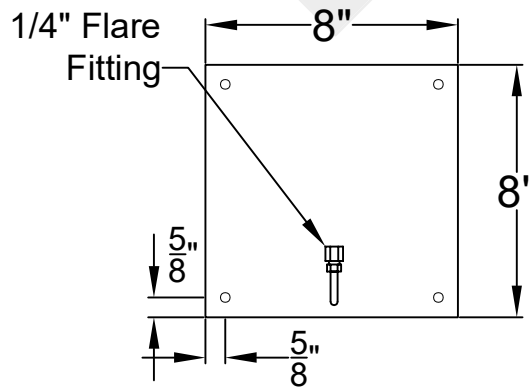
B.T.U. Rating  
Natural Gas: 2730 B.T.U.  
Propane: 2080 B.T.U.

# FRISCO MEDIUM STEEL WALL MOUNT



Front View

Side View



Backplate



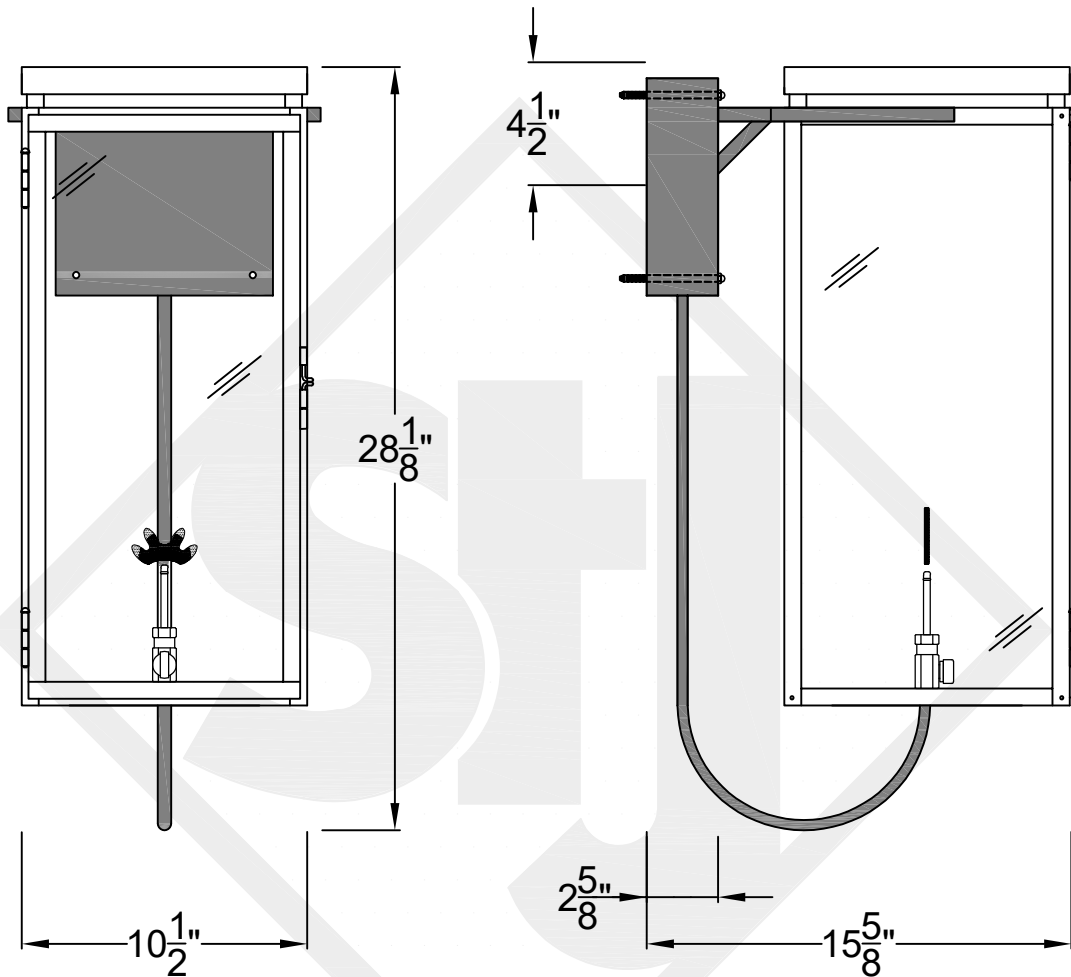
St. James  
LIGHTING

SCALE: N.T.S.	DRAFT: Y. McCullough
FILE: FRIM	APP'D: J. Ragan
JOB: X	DATE: 11/20/23

Lights are handcrafted.  
Dimensions may vary by 1/4"

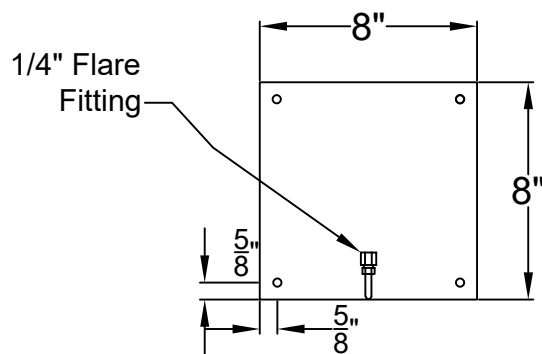
B.T.U. Rating  
Natural Gas: 2730 B.T.U.  
Propane: 2080 B.T.U.

# FRISCO LARGE STEEL WALL MOUNT



Front View

Side View



Backplate



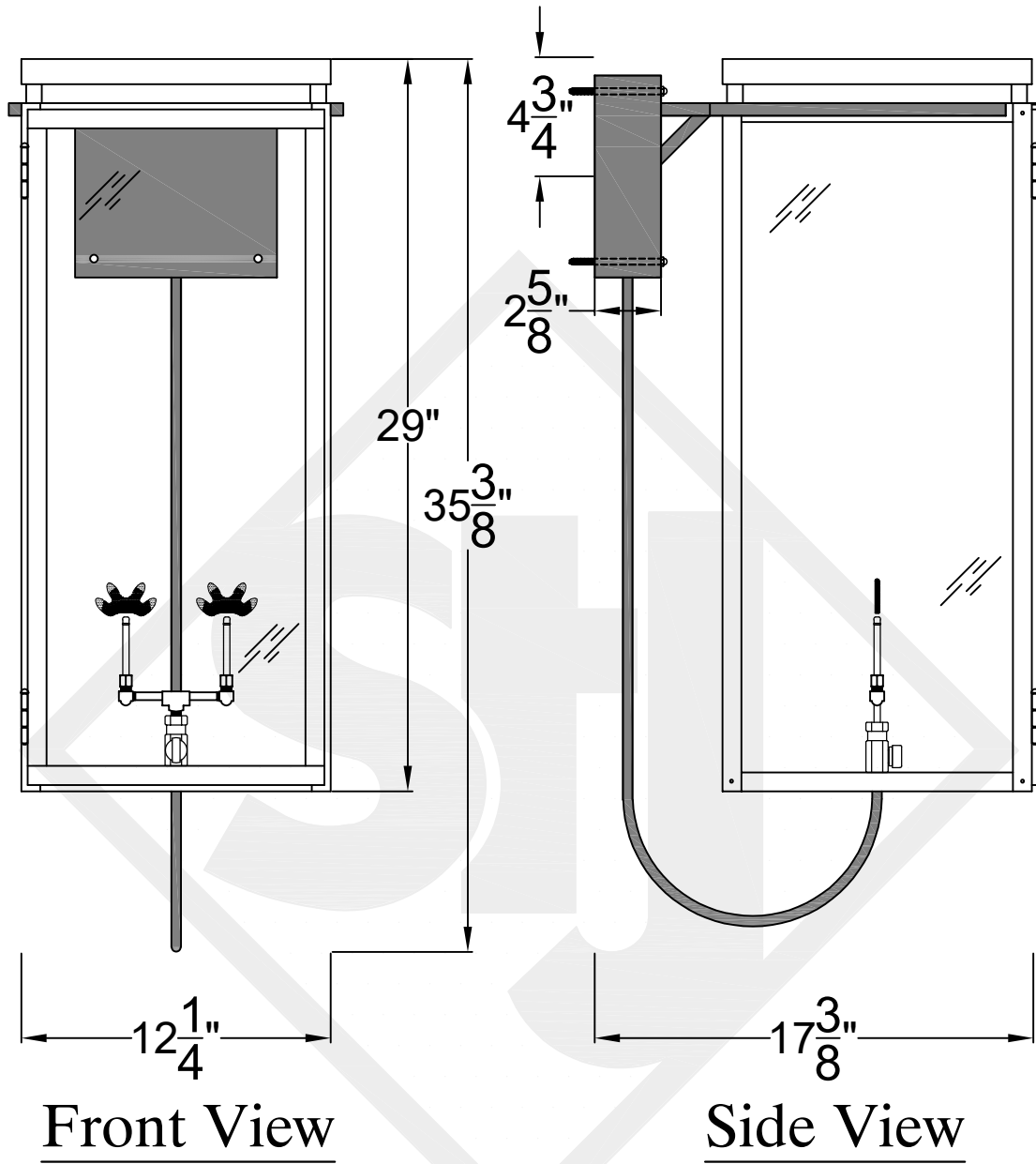
St. James  
LIGHTING

SCALE: N.T.S.	DRAFT: Y. McCullough
FILE: FRIL	APP'D: J. Ragan
JOB: X	DATE: 11/20/23

Lights are handcrafted.  
Dimensions may vary by  $1/4"$

B.T.U. Rating  
Natural Gas: 2730 B.T.U.  
Propane: 2080 B.T.U.

# FRISCO GRANDE STEEL WALL MOUNT



Front View

Side View

Backplate



St. James  
LIGHTING

SCALE: N.T.S.	DRAFT: Y. McCullough
FILE: FRIG	APP'D: J. Ragan
JOB: X	DATE: 2/9/24

Lights are handcrafted.  
Dimensions may vary by 1/4"

B.T.U. Rating  
Natural Gas: 5460 B.T.U.  
Propane: 4160 B.T.U.