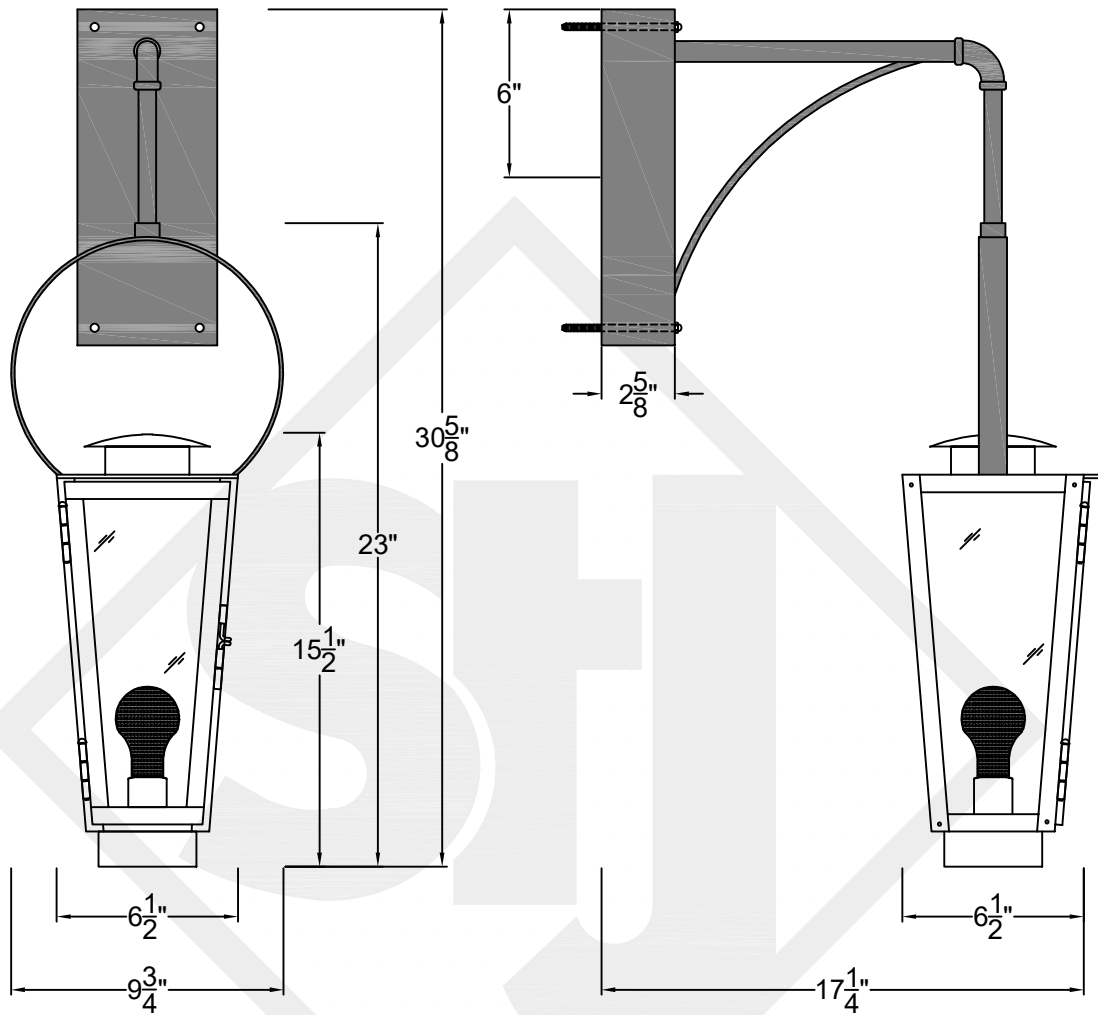


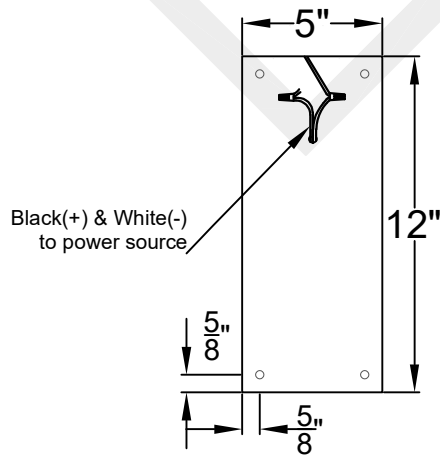
EQUESTRIAN MINI WALL MOUNT HALF YOKE

Shortest Height 25 ⁵/₈"



Front View

Side View



Backplate



**St. James
LIGHTING**

SCALE: N.T.S.	DRAFT: Y. McCullough
FILE: EQUMINI	APP'D: J. Ragan
JOB: X	DATE: 12/18/23

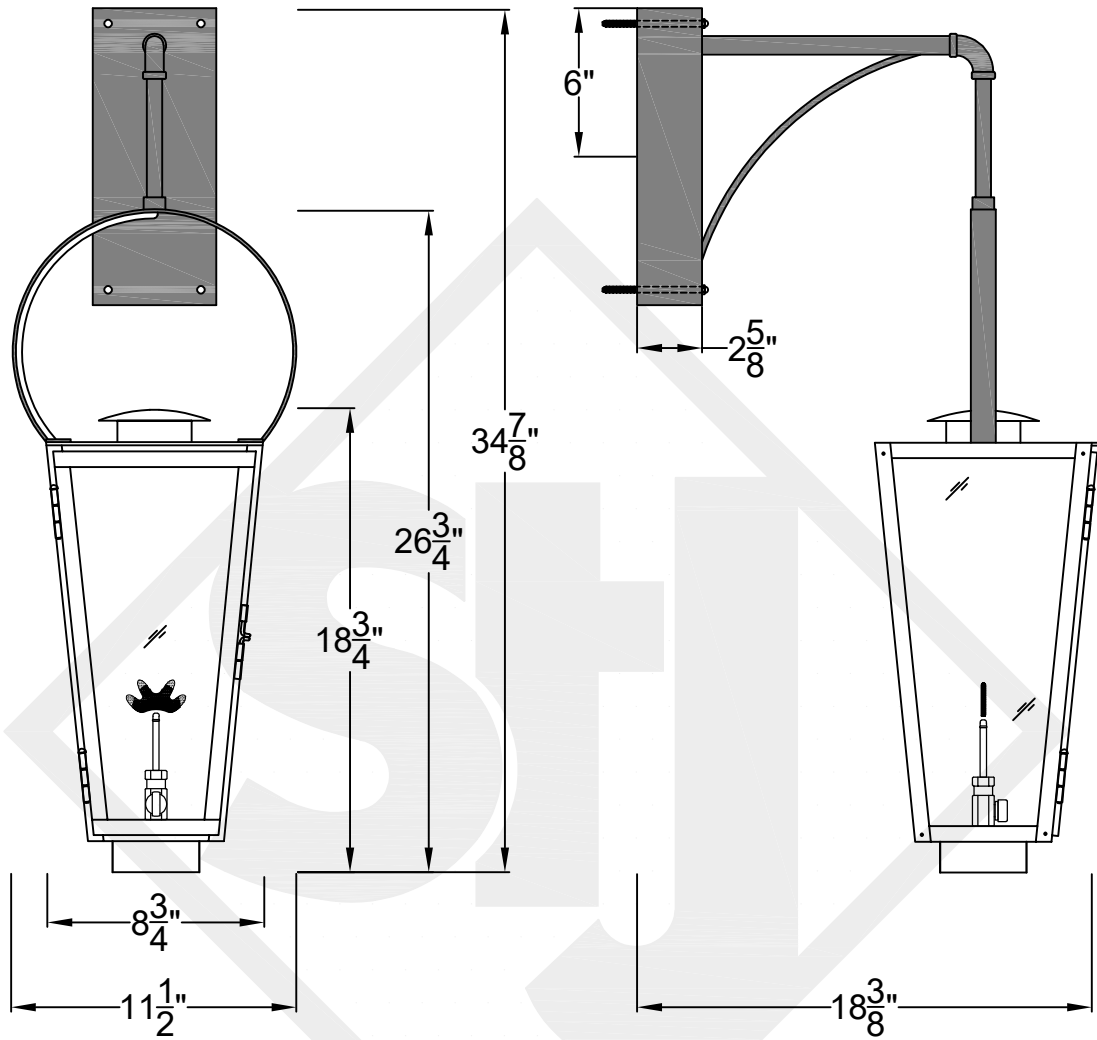
Lights are handcrafted.
Dimensions may vary by 1/4"

UL Certified
Candelabra- Max 60 Watt Bulb
Edison- Max 660 Watt Bulb

Mini not Available in Gas

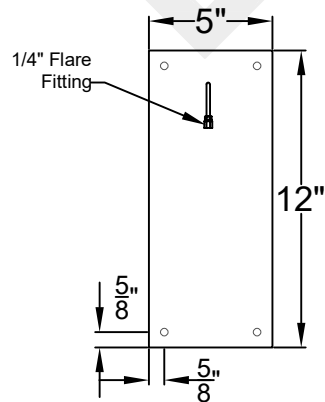
EQUESTRIAN SMALL WALL MOUNT HALF YOKE

Shortest Height $31\frac{1}{8}"$



Front View

Side View



Backplate



St. James
LIGHTING

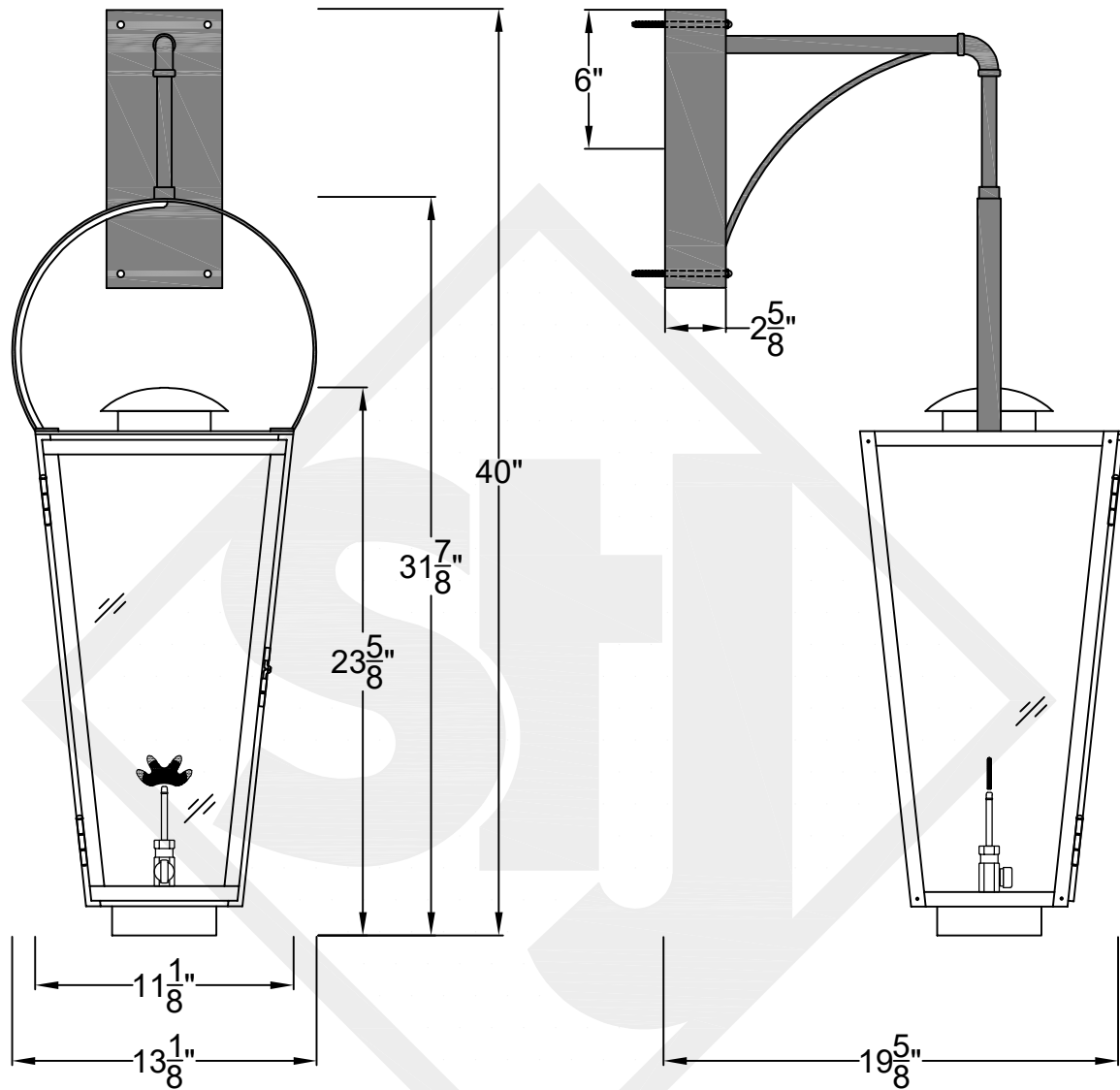
SCALE: N.T.S.	DRAFT: M. Buckley
FILE: EQU	APP'D: J. Ragan
JOB: X	DATE: 3/26/24

Lights are handcrafted.
Dimensions may vary by 1/4"

B.T.U. Rating
Natural Gas: 2730 B.T.U.
Propane: 2080 B.T.U.

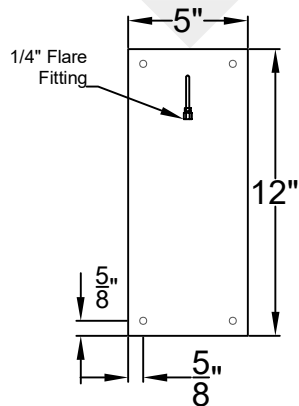
EQUESTRIAN MEDIUM WALL MOUNT HALF YOKE

Shortest Height $33\frac{7}{8}"$



Front View

Side View



Backplate



St. James
LIGHTING

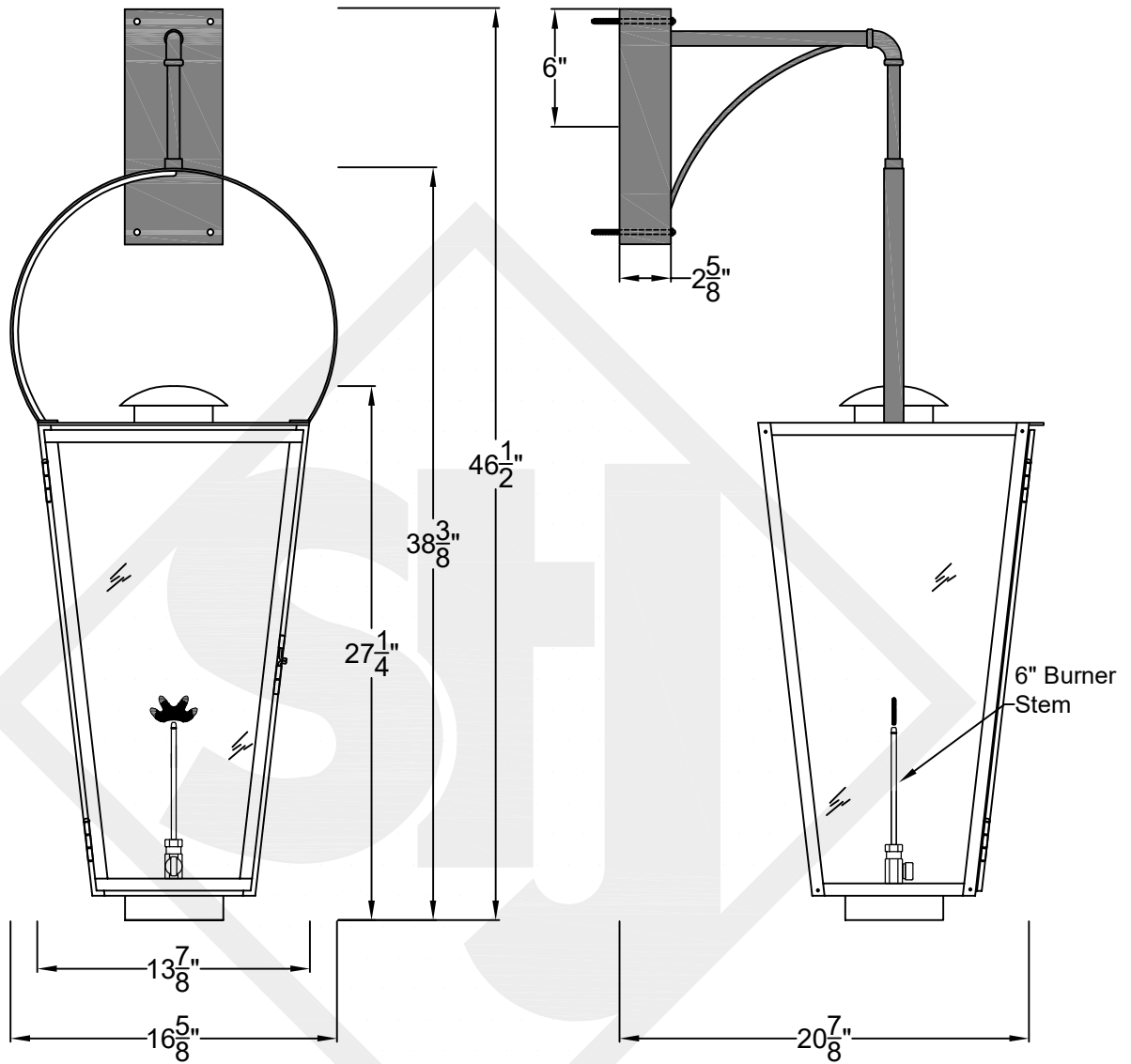
SCALE: N.T.S.	DRAFT: M. Buckley
FILE: EQU	APP'D: J. Ragan
JOB: X	DATE: 3/26/24

Lights are handcrafted.
Dimensions may vary by 1/4"

B.T.U. Rating
Natural Gas: 2730 B.T.U.
Propane: 2080 B.T.U.

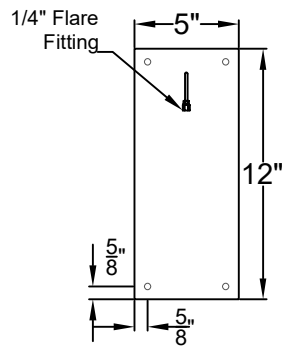
EQUESTRIAN LARGE WALL MOUNT HALF YOKE

Shortest Height 43"



Front View

Side View



Backplate



St. James
LIGHTING

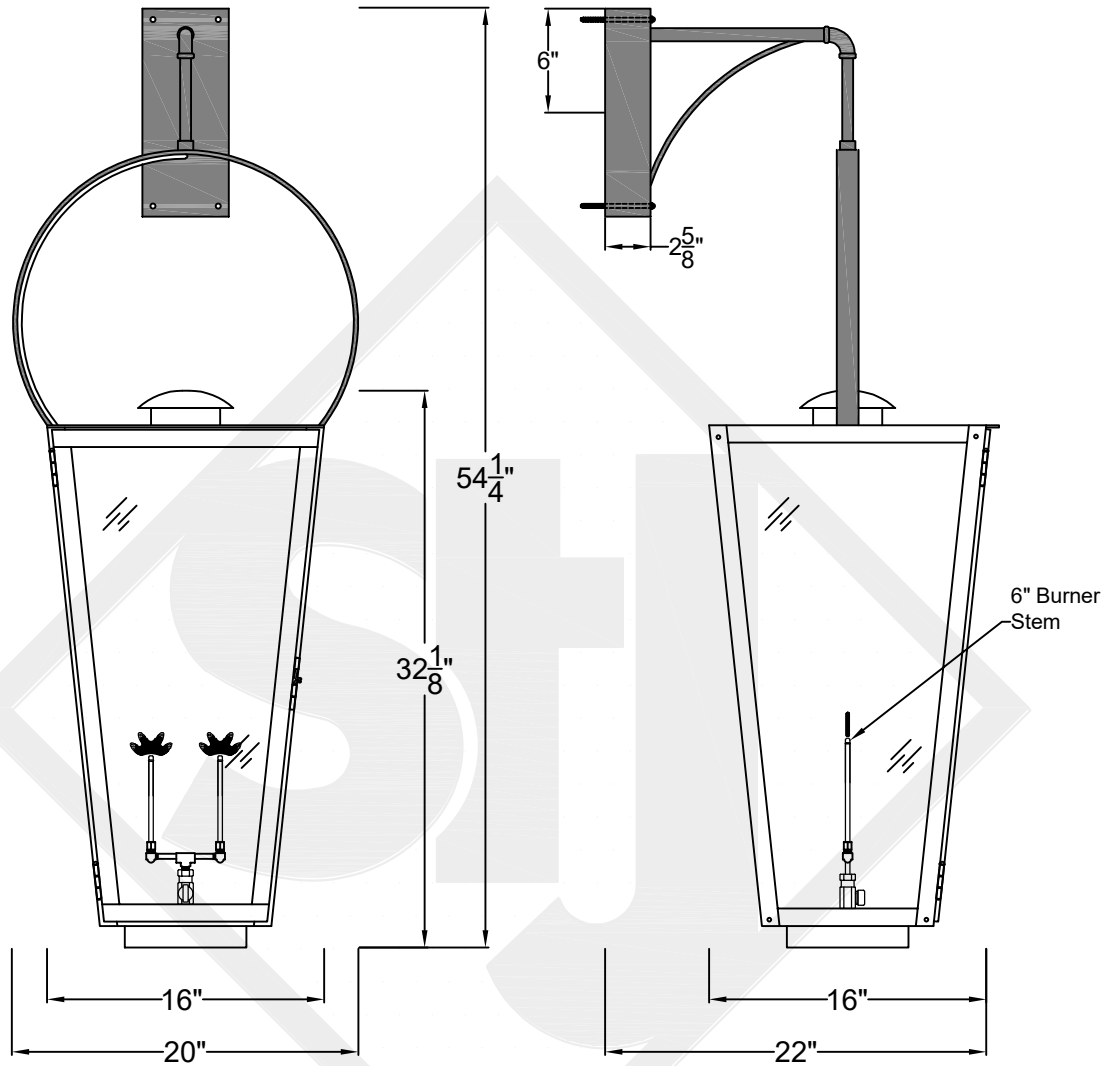
SCALE: N.T.S.	DRAFT: Y. McCullough
FILE: EQUJ	APP'D: J. Ragan
JOB: X	DATE: 12/14/23

Lights are handcrafted.
Dimensions may vary by 1/4"

B.T.U. Rating
Natural Gas: 2730 B.T.U.
Propane: 2080 B.T.U.

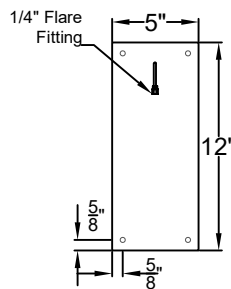
EQUESTRIAN GRANDE WALL MOUNT HALF YOKE

Shortest Height 50 $\frac{3}{8}$ "



Front View

Side View



Backplate



**St. James
LIGHTING**

SCALE: N.T.S.	DRAFT: Y. McCullough
FILE: EQUG	APP'D: J. Ragan
JOB: X	DATE: 12/14/23

Lights are handcrafted.
Dimensions may vary by 1/4"

B.T.U. Rating
Natural Gas: 5460 B.T.U.
Propane: 4160 B.T.U.