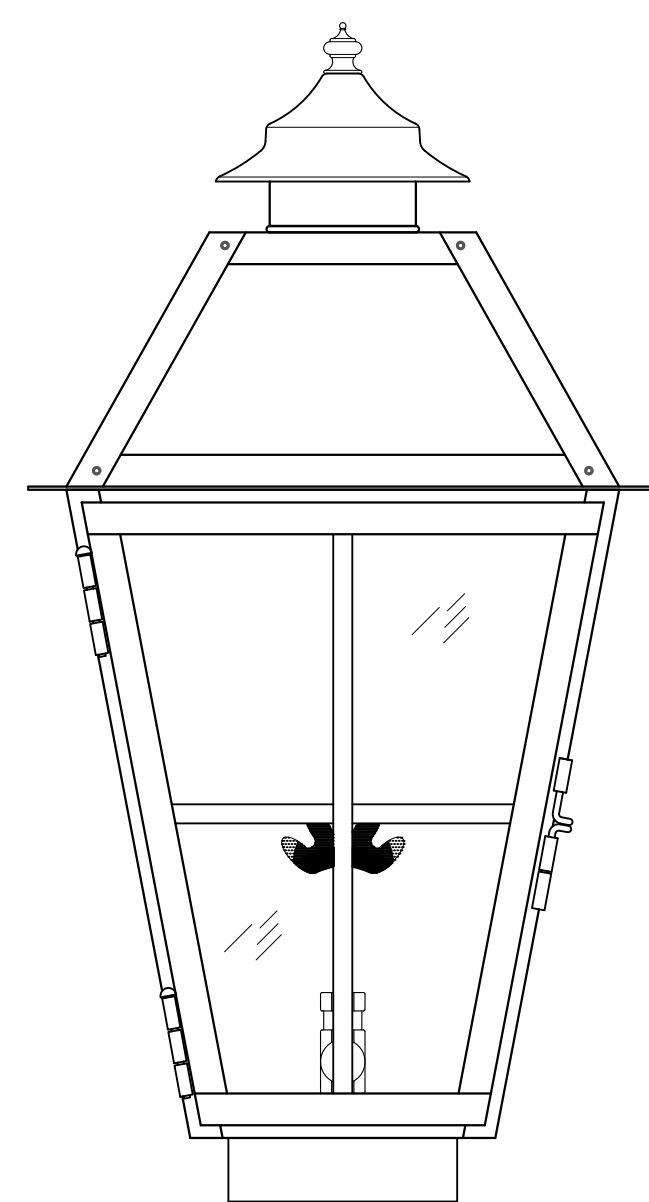
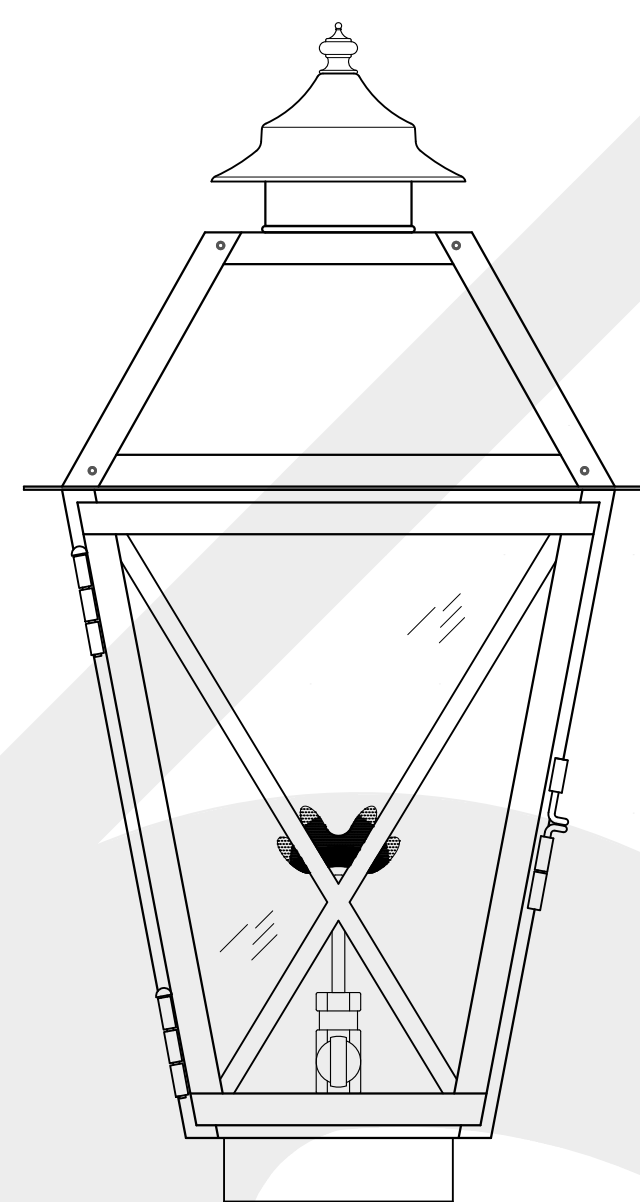


WINDOW STRAP PROFILE

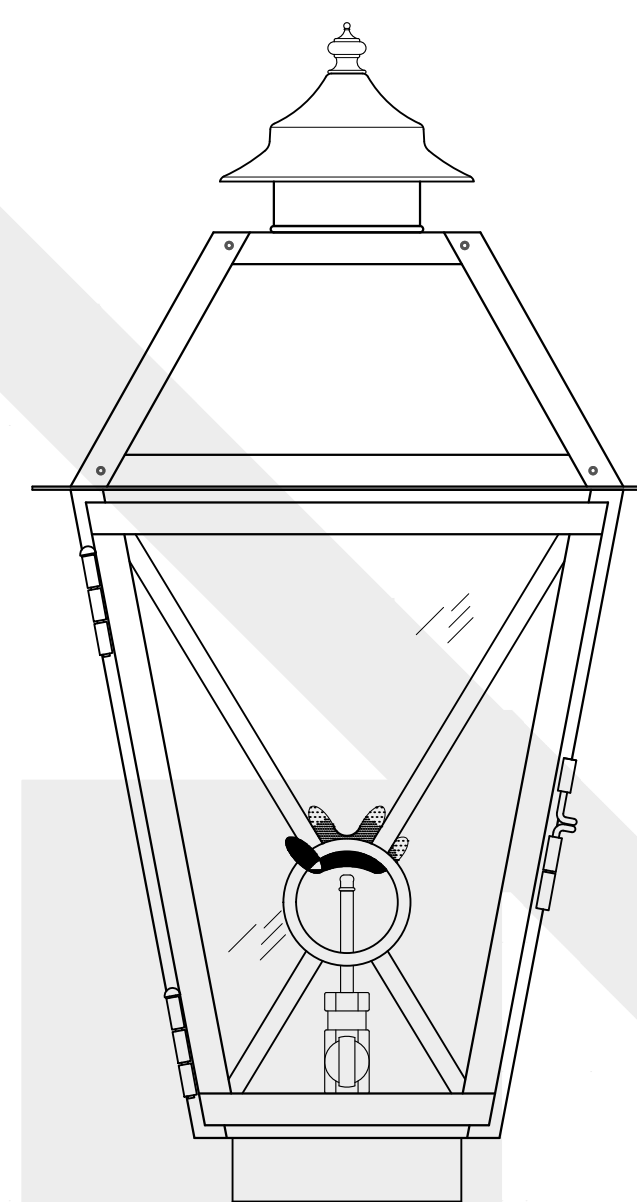
WS-1S
WS-1W



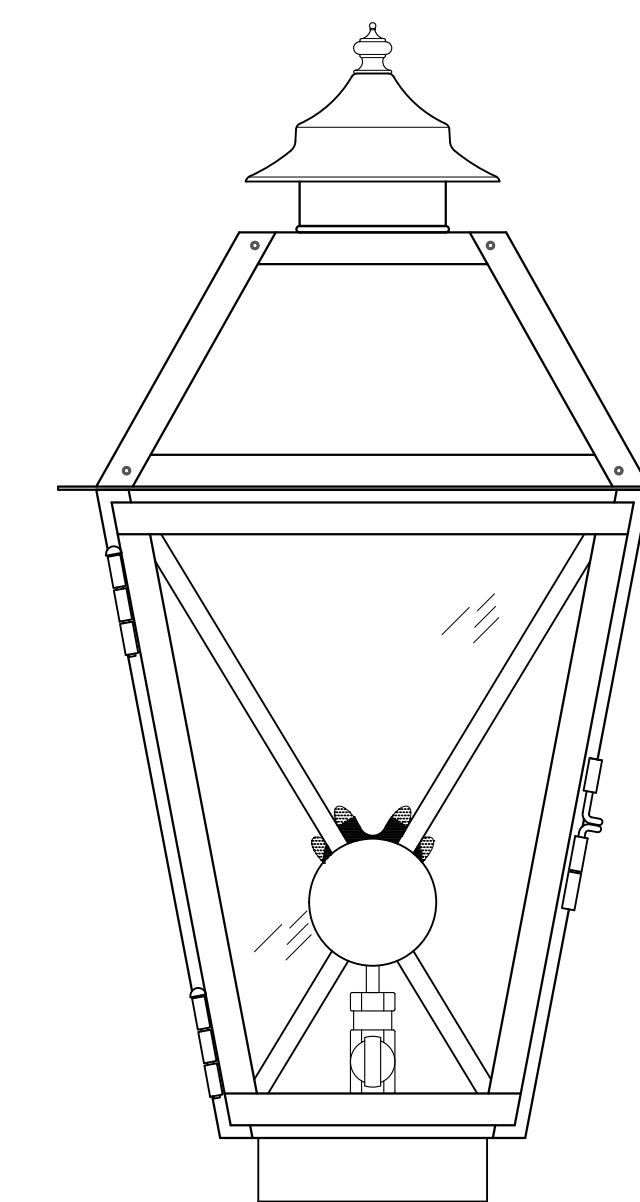
WS-2S
WS-2W



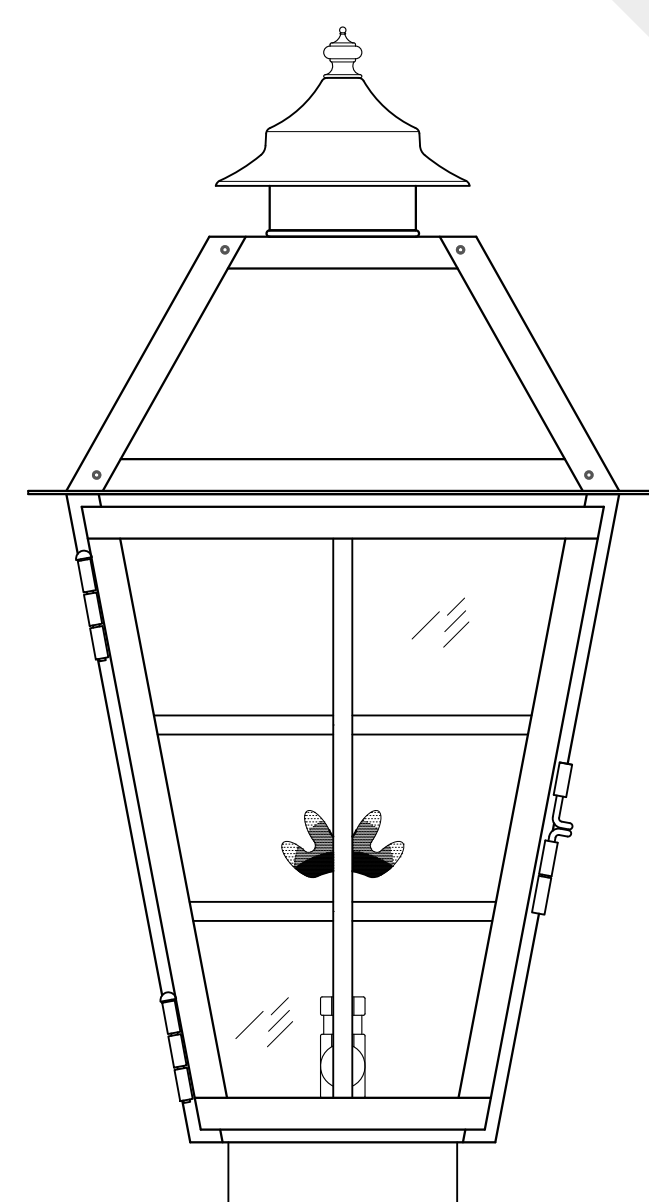
WS-3S
WS-3W



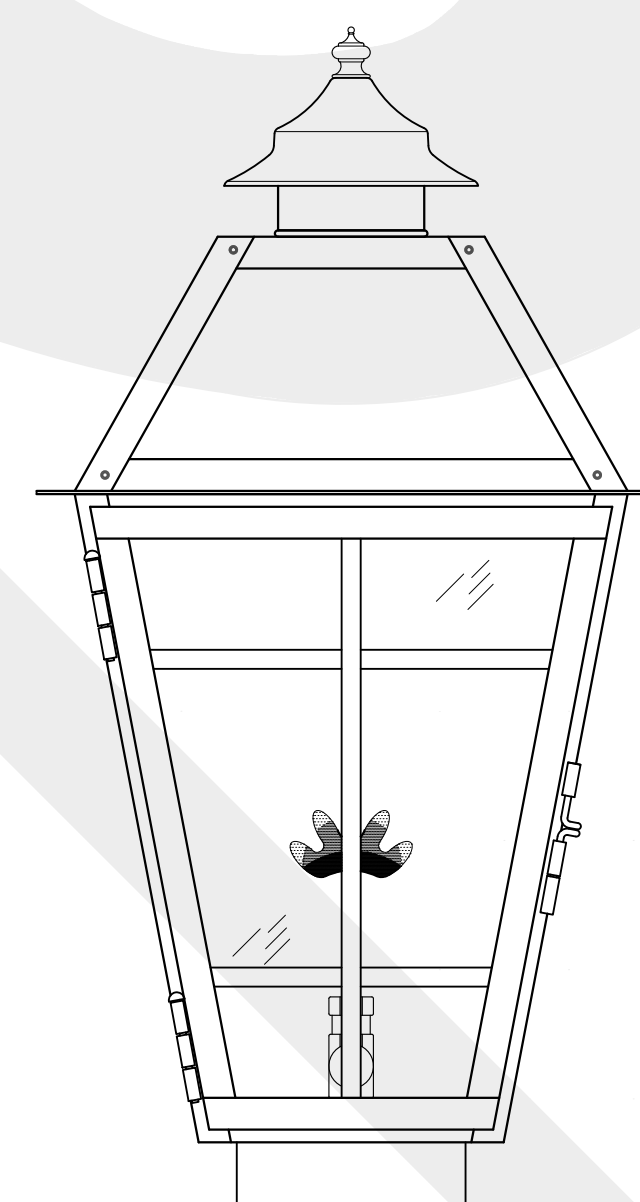
WS-4S
WS-4W



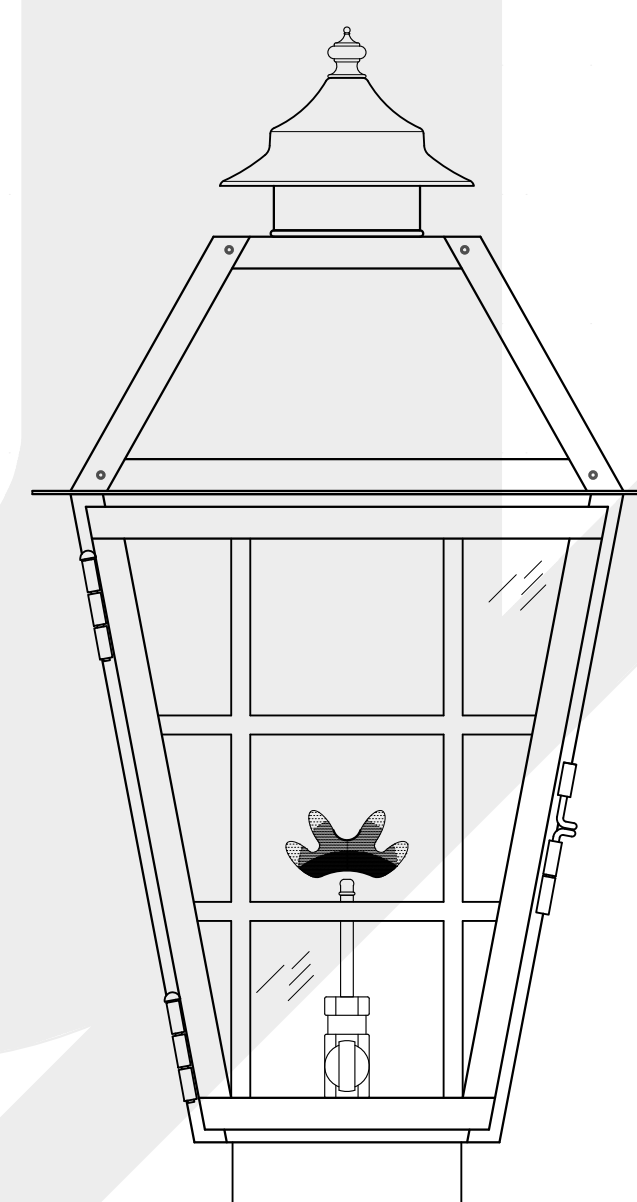
WS-5S
WS-5W



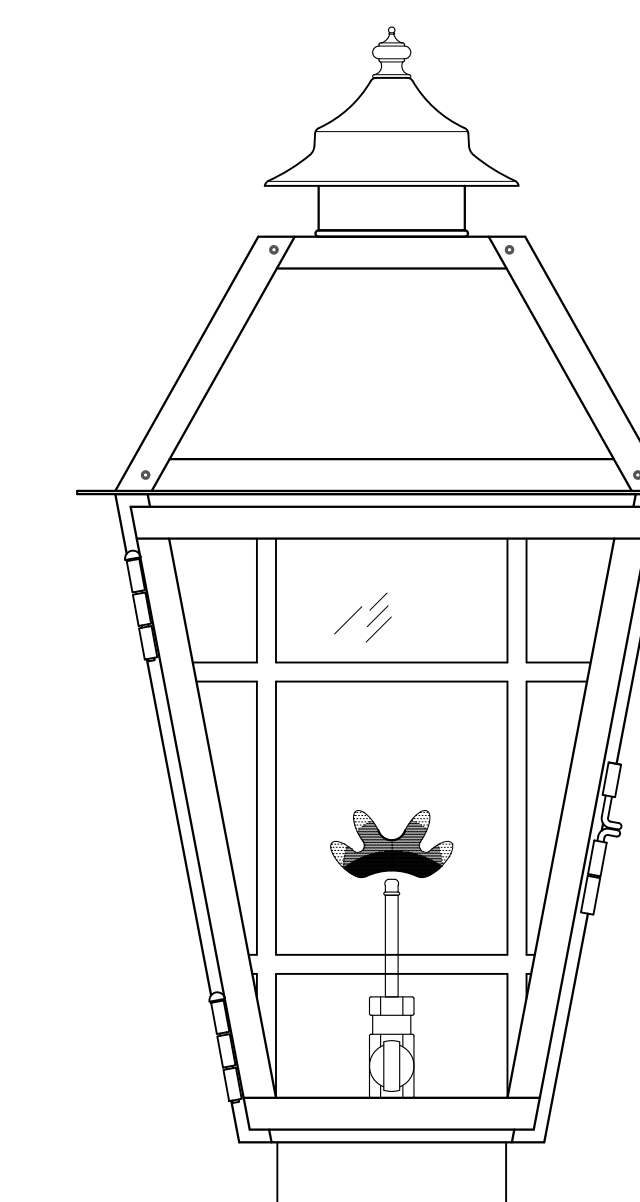
WS-6S
WS-6W



WS-7S
WS-7W



WS-8S
WS-8W



Window Straps
3/8" Wide

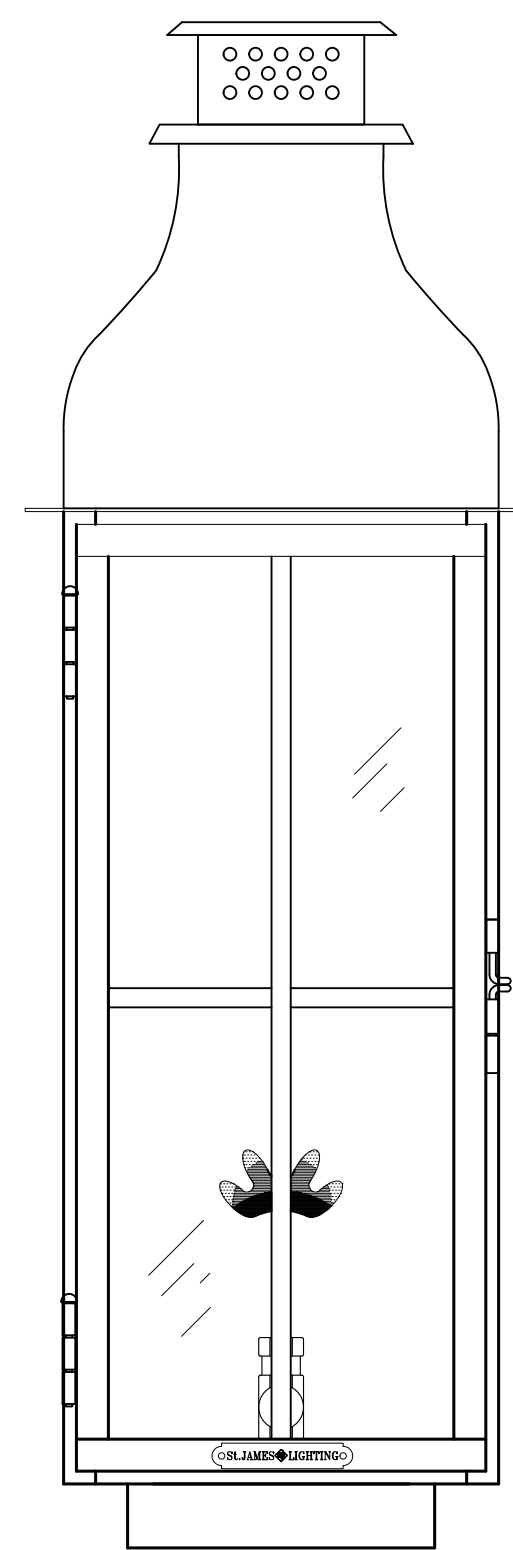
S = Strap

W = Wire

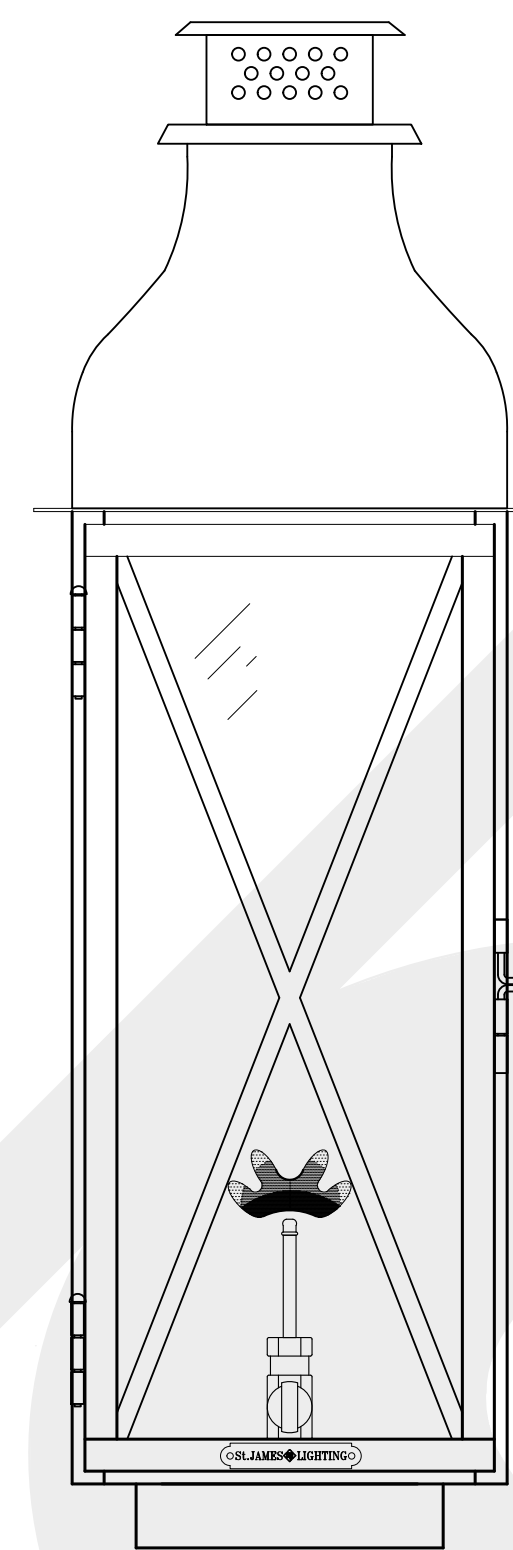
Window Straps	
	St. James LIGHTING
SCALE: N.T.S.	DRAFT: M. Buckley
FILE: X	APP'D: J. Ragan
JOB: X	DATE: 4/16/14

WINDOW STRAP PROFILE

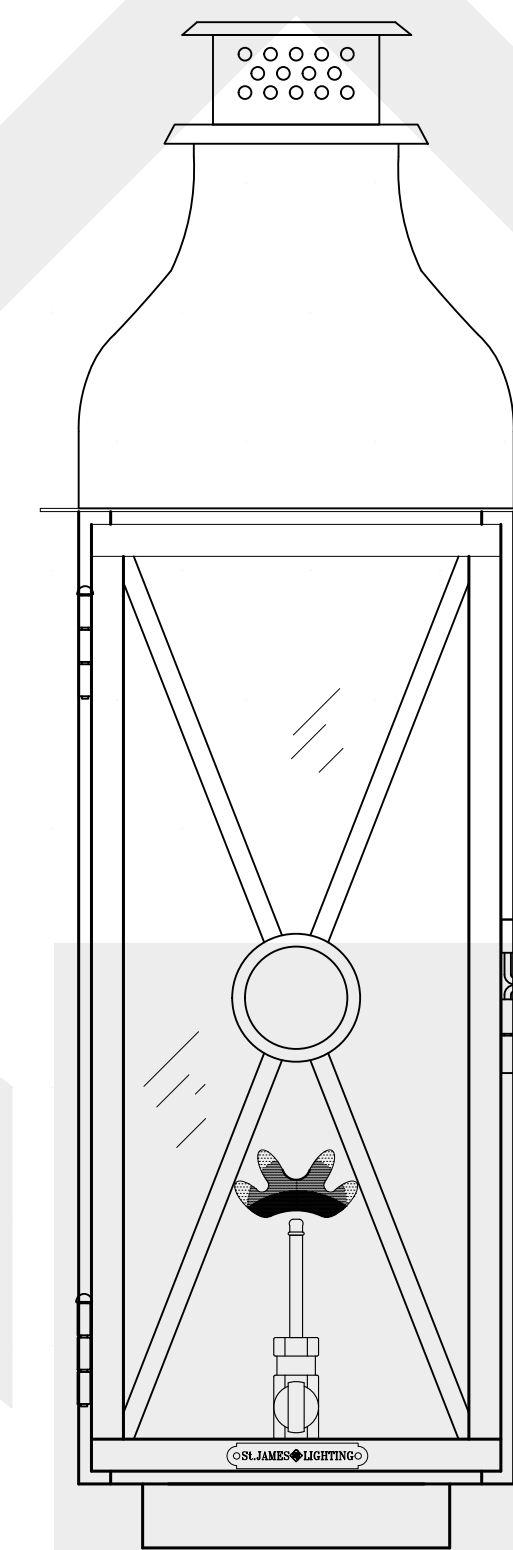
WS-1S
WS-1W



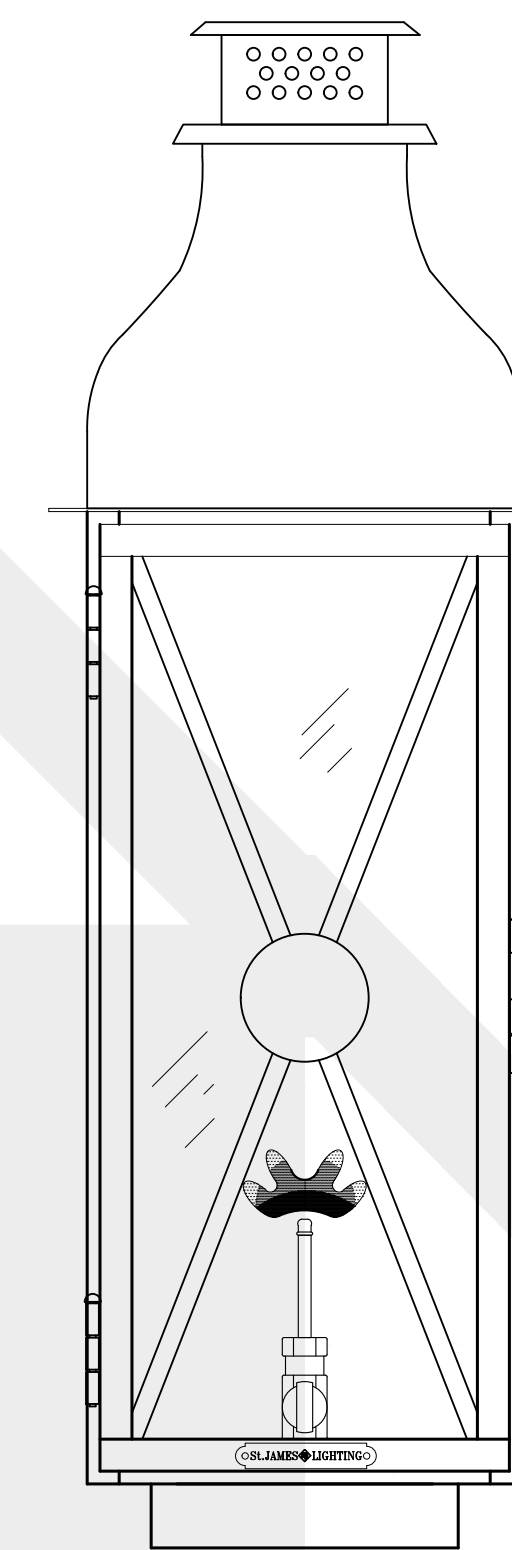
WS-2S
WS-2W



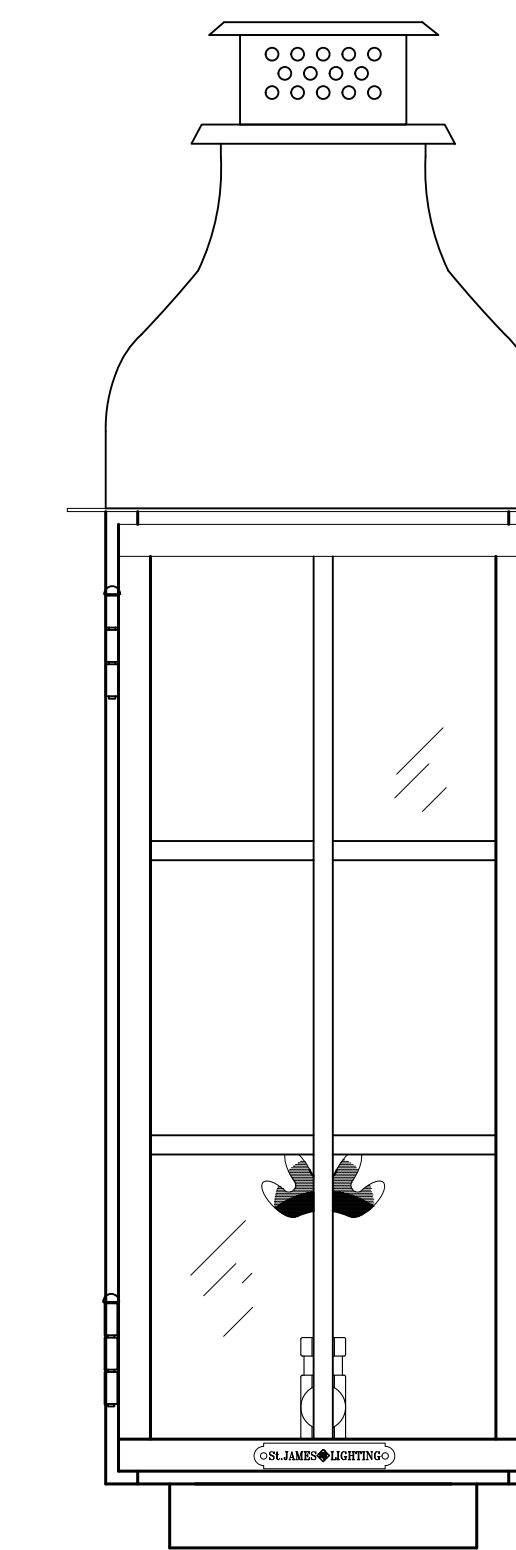
WS-3S
WS-3W



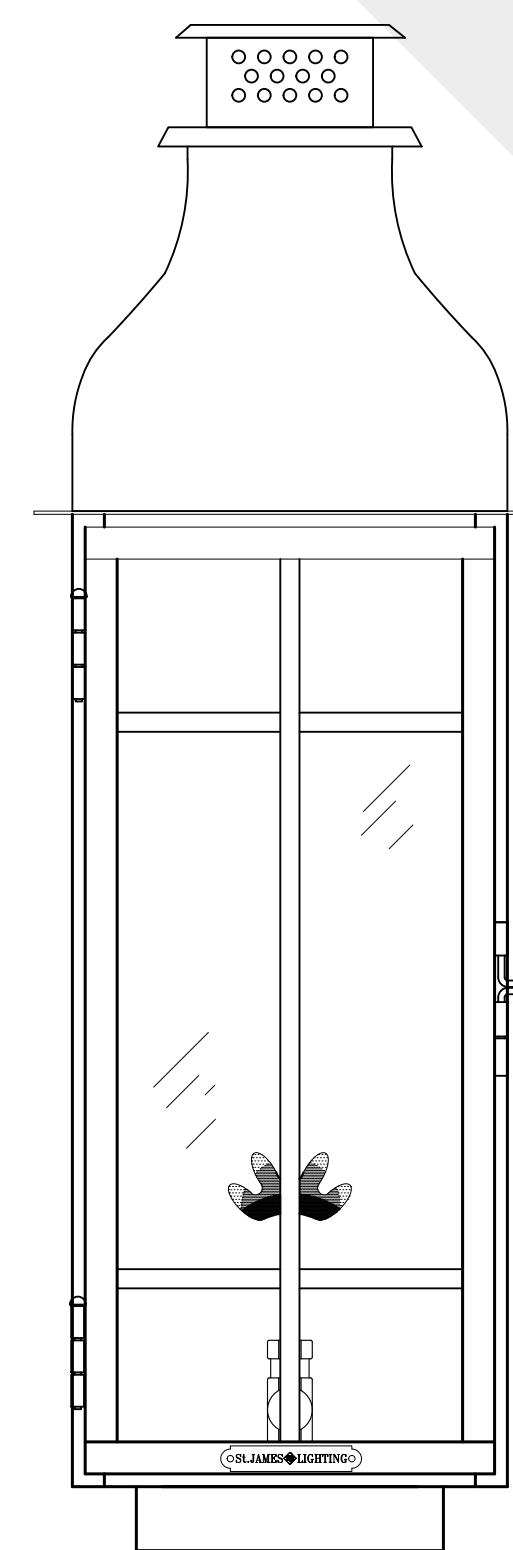
WS-4S
WS-4W



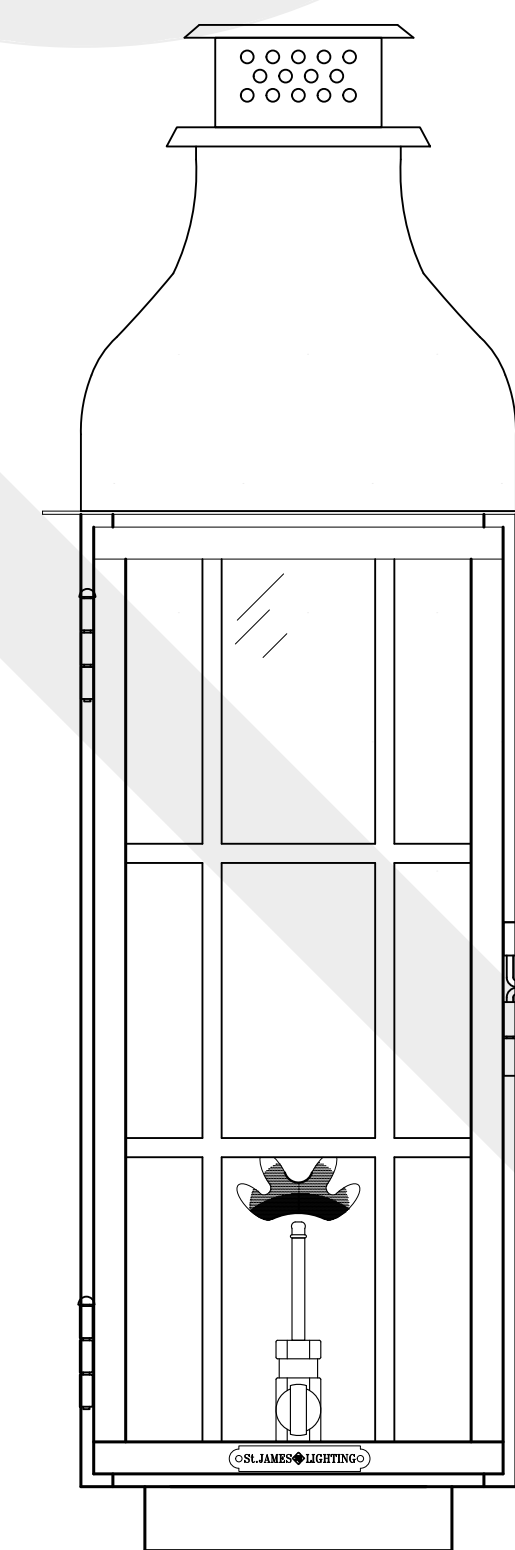
WS-5S
WS-5W



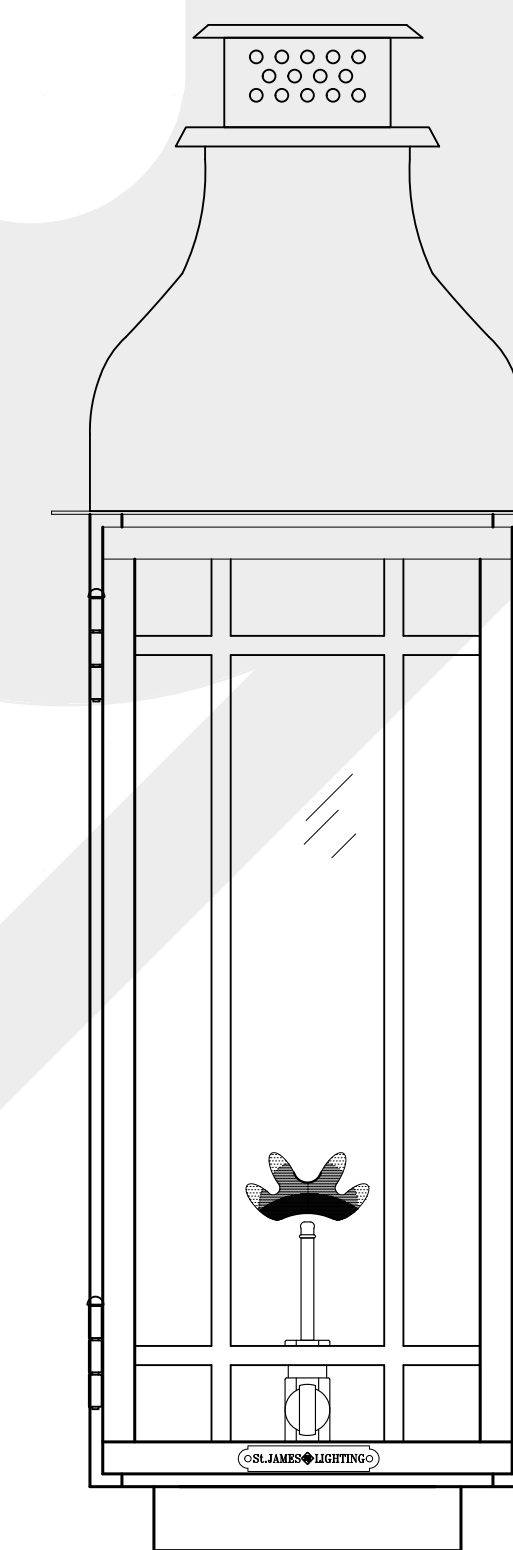
WS-6S
WS-6W



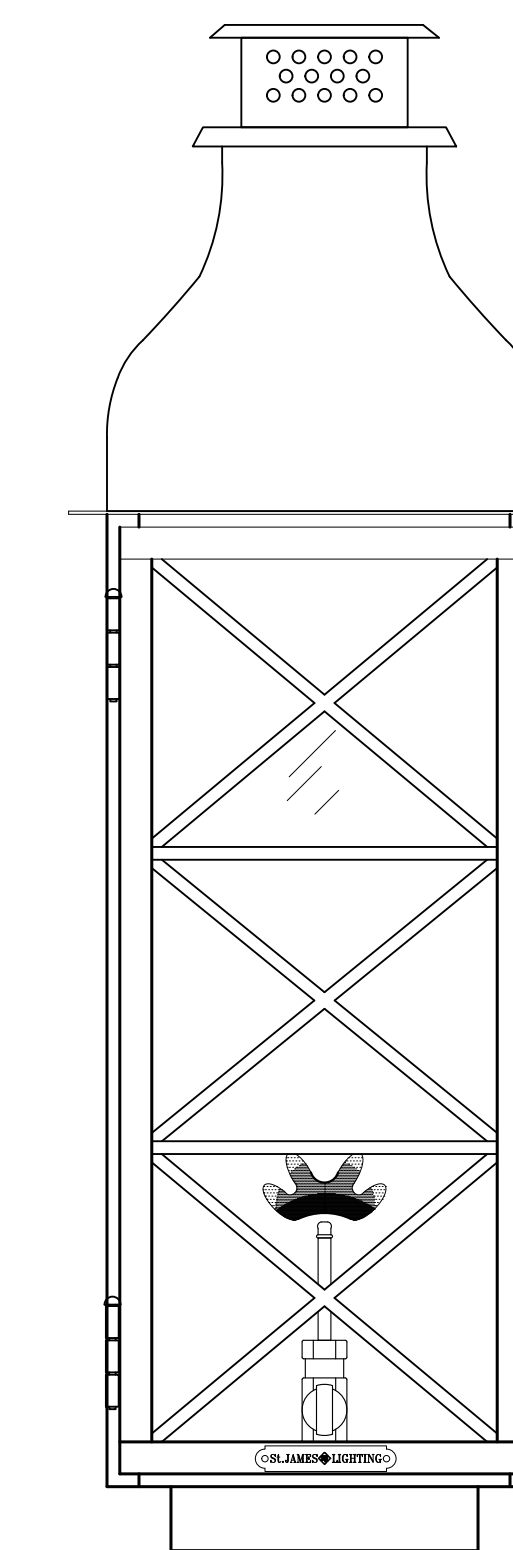
WS-7S
WS-7W



WS-8S
WS-8W




WS-9S
WS-9W



Window Straps
3/8" Wide

S = Strap

W = Wire

Window Straps	
	St. James LIGHTING
SCALE: N.T.S.	DRAFT: M. Buckley
FILE: X	APP'D: J. Ragan
JOB: X	DATE: 4/16/14