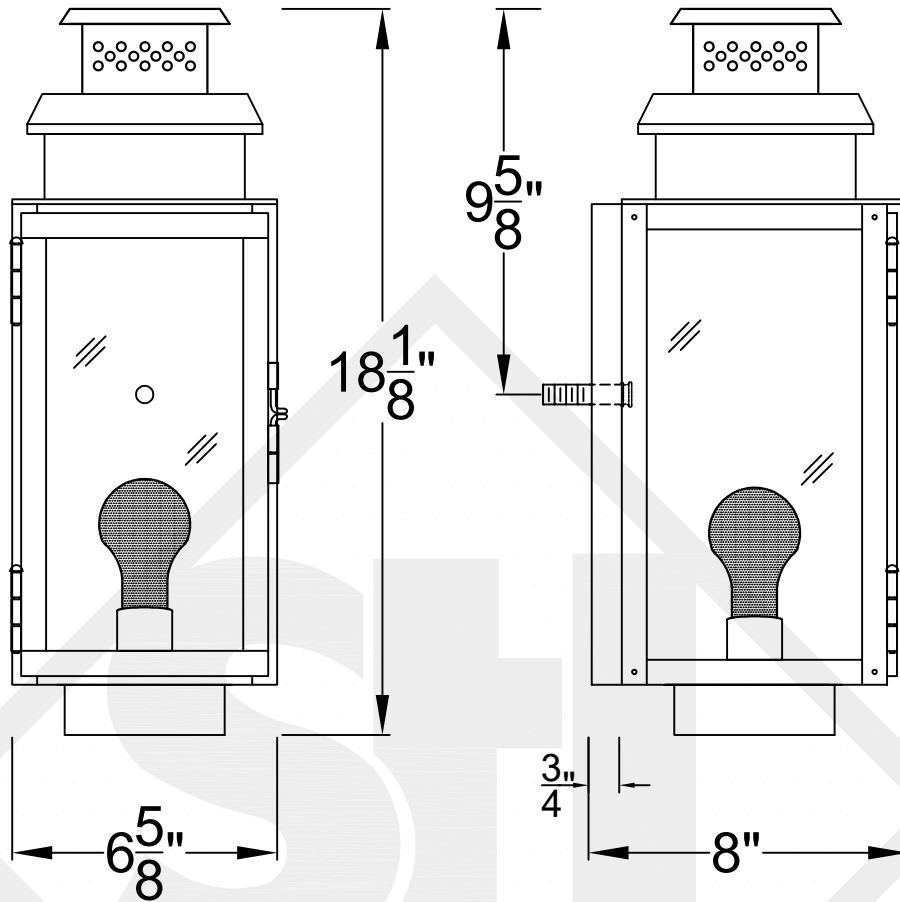
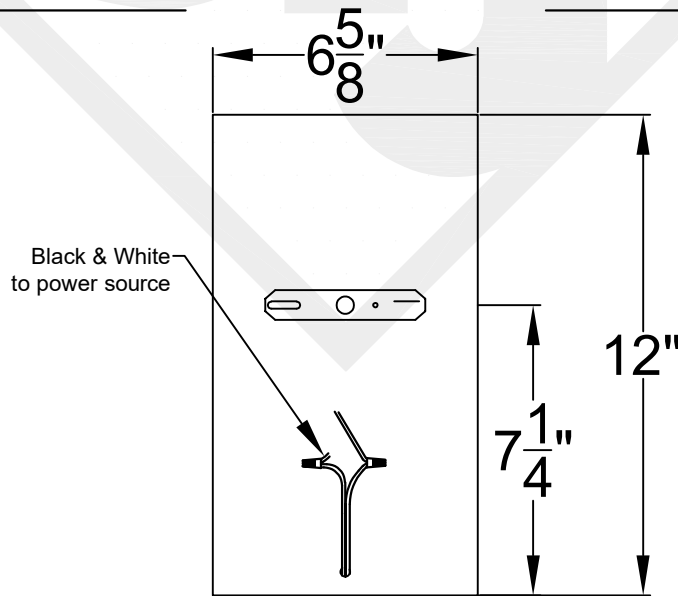


CHICAGO MINI COPPER WALL BRACKET



Front View

Side View



Backplate



St. James
LIGHTING

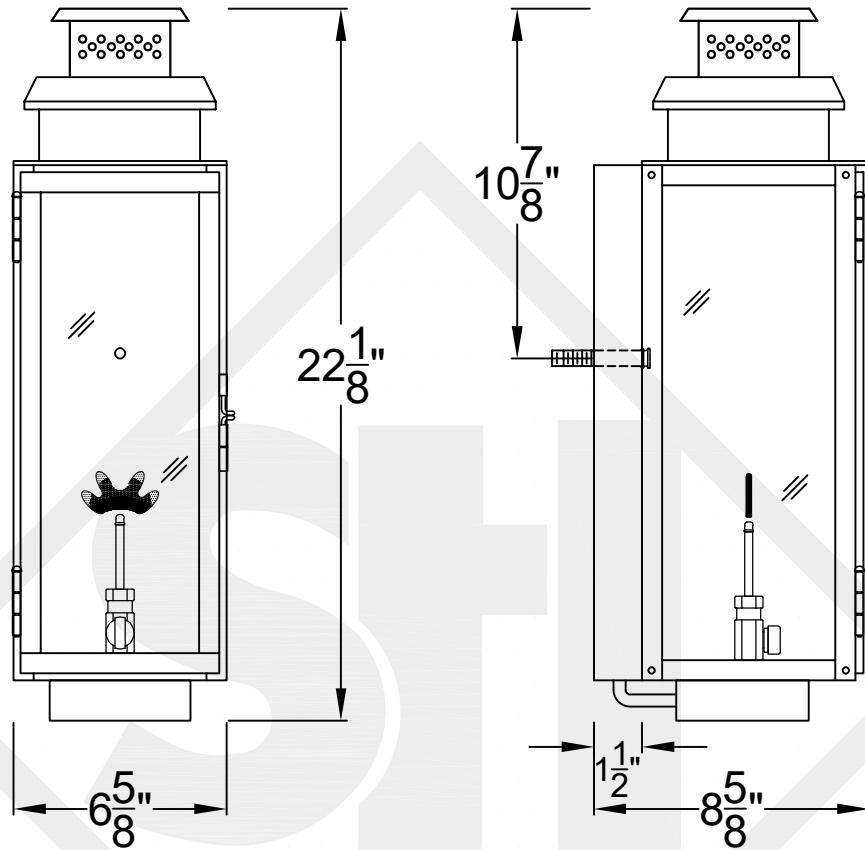
SCALE: N.T.S.	DRAFT: Y. McCullough
FILE: CHIMINI	APP'D: J. Ragan
JOB: X	DATE: 3/25/24

Lights are handcrafted.
Dimensions may vary by 1/4"

Mini not Available in Gas

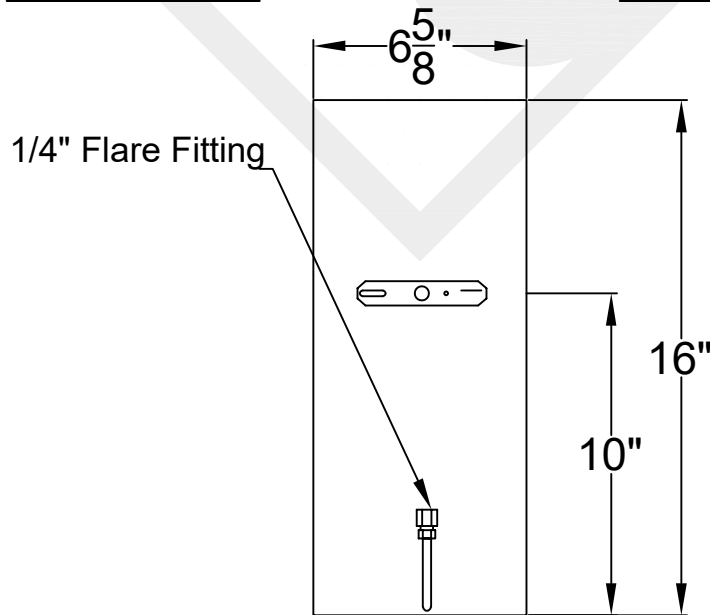
UL Certified
Candelabra- Max 60 Watt Bulb
Edison- Max 660 Watt Bulb

CHICAGO SMALL COPPER WALL BRACKET



Front View

Side View



Backplate



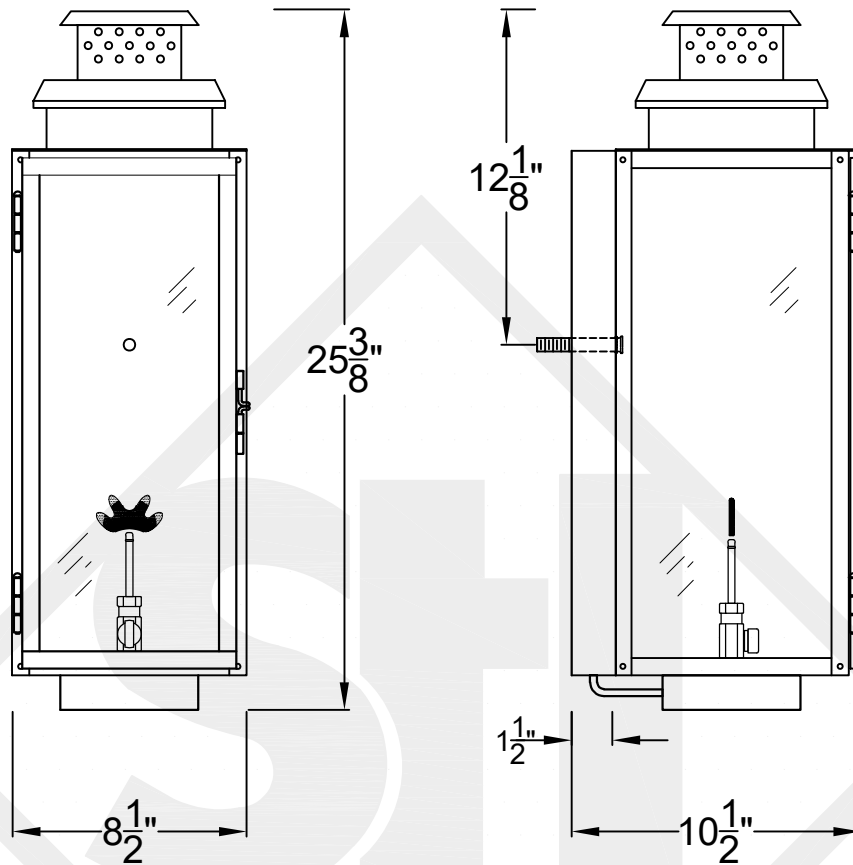
St. James
LIGHTING

SCALE: N.T.S.	DRAFT: T. Herring
FILE: CHIS	APP'D: J. Ragan
JOB: X	DATE: 3-31-2023

Lights are handcrafted.
Dimensions may vary by 1/4"

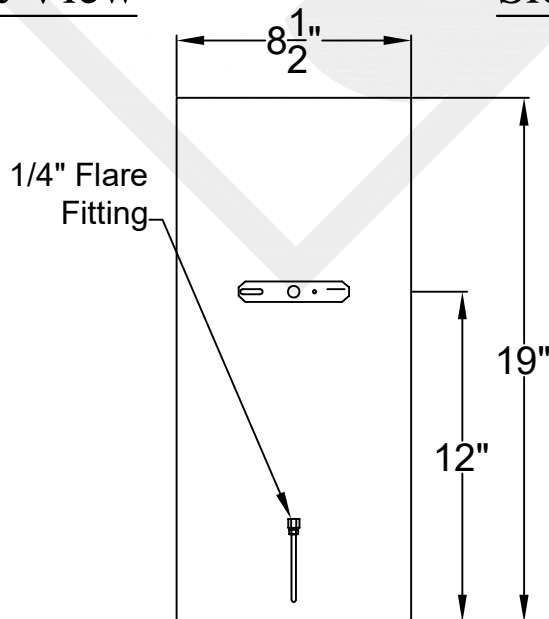
B.T.U. Rating
Natural Gas: 2730 B.T.U.
Propane: 2080 B.T.U.

CHICAGO MEDIUM COPPER WALL BRACKET



Front View

Side View



Backplate



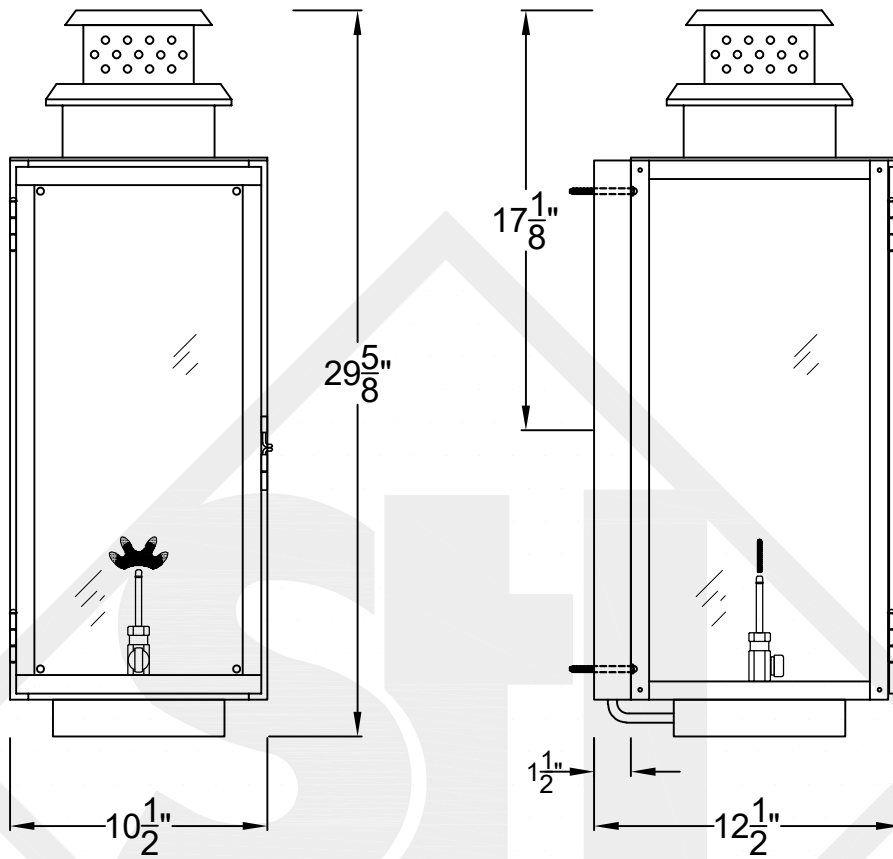
St. James
LIGHTING

SCALE: N.T.S.	DRAFT: T. Herring
FILE: CHIM	APP'D: J. Ragan
JOB: X	DATE: 3-31-2023

Lights are handcrafted.
Dimensions may vary by 1/4"

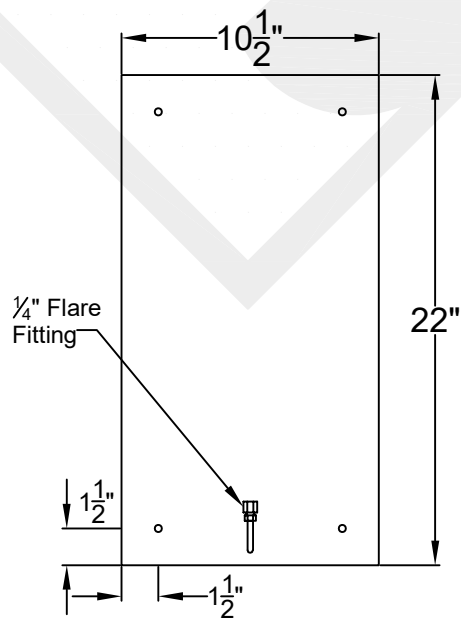
B.T.U. Rating
Natural Gas: 2730 B.T.U.
Propane: 2080 B.T.U.

CHICAGO LARGE COPPER WALL BRACKET



Front View

Side View



Backplate



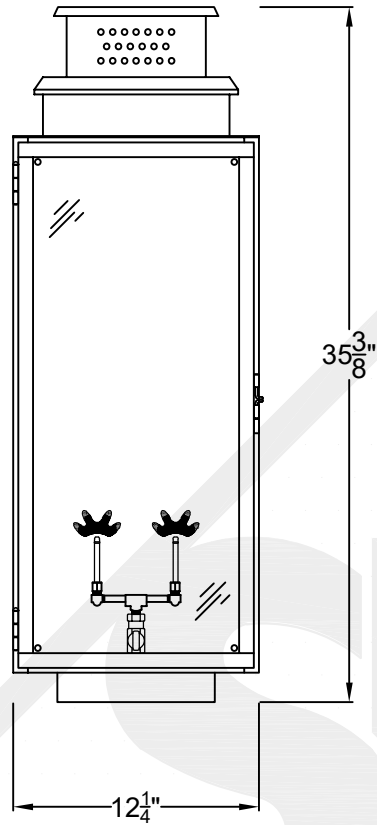
St. James
LIGHTING

SCALE: N.T.S.	DRAFT: Y. McCullough
FILE: CHIL	APP'D: J. Ragan
JOB: X	DATE: 12/6/23

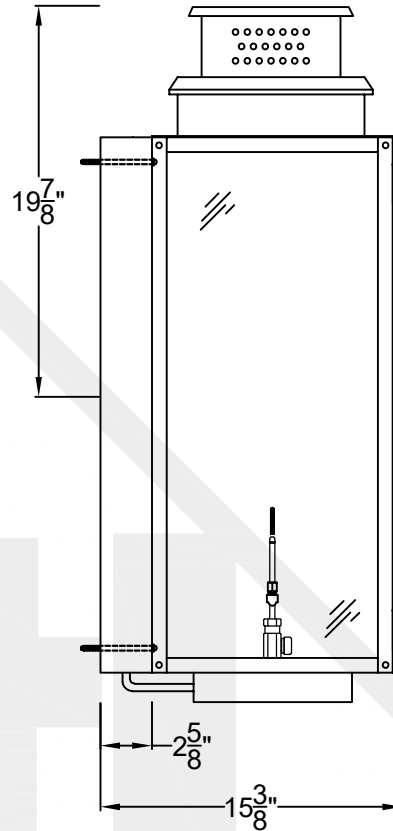
Lights are handcrafted.
Dimensions may vary by 1/4"

B.T.U. Rating
Natural Gas: 2730 B.T.U.
Propane: 2080 B.T.U.

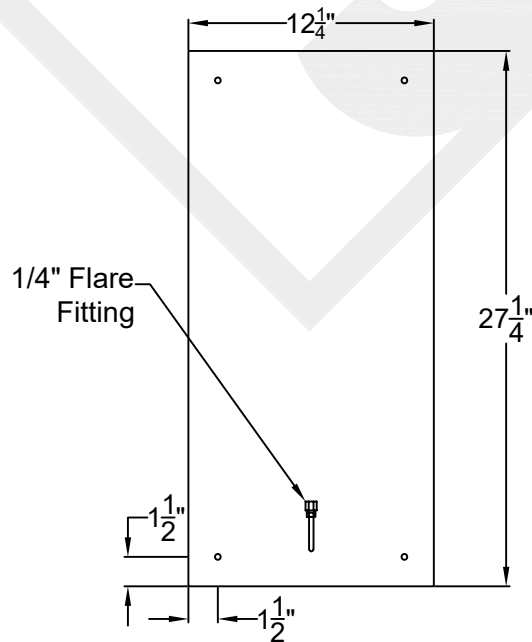
CHICAGO GRANDE COPPER WALL BRACKET



Front View



Side View



Backplate



St. James
LIGHTING

SCALE: N.T.S.	DRAFT: Y. McCullough
FILE: CHIG	APP'D: J. Ragan
JOB: X	DATE: 12/6/23

Lights are handcrafted.
Dimensions may vary by 1/4"

B.T.U. Rating
Natural Gas: 5460 B.T.U.
Propane: 4160 B.T.U.