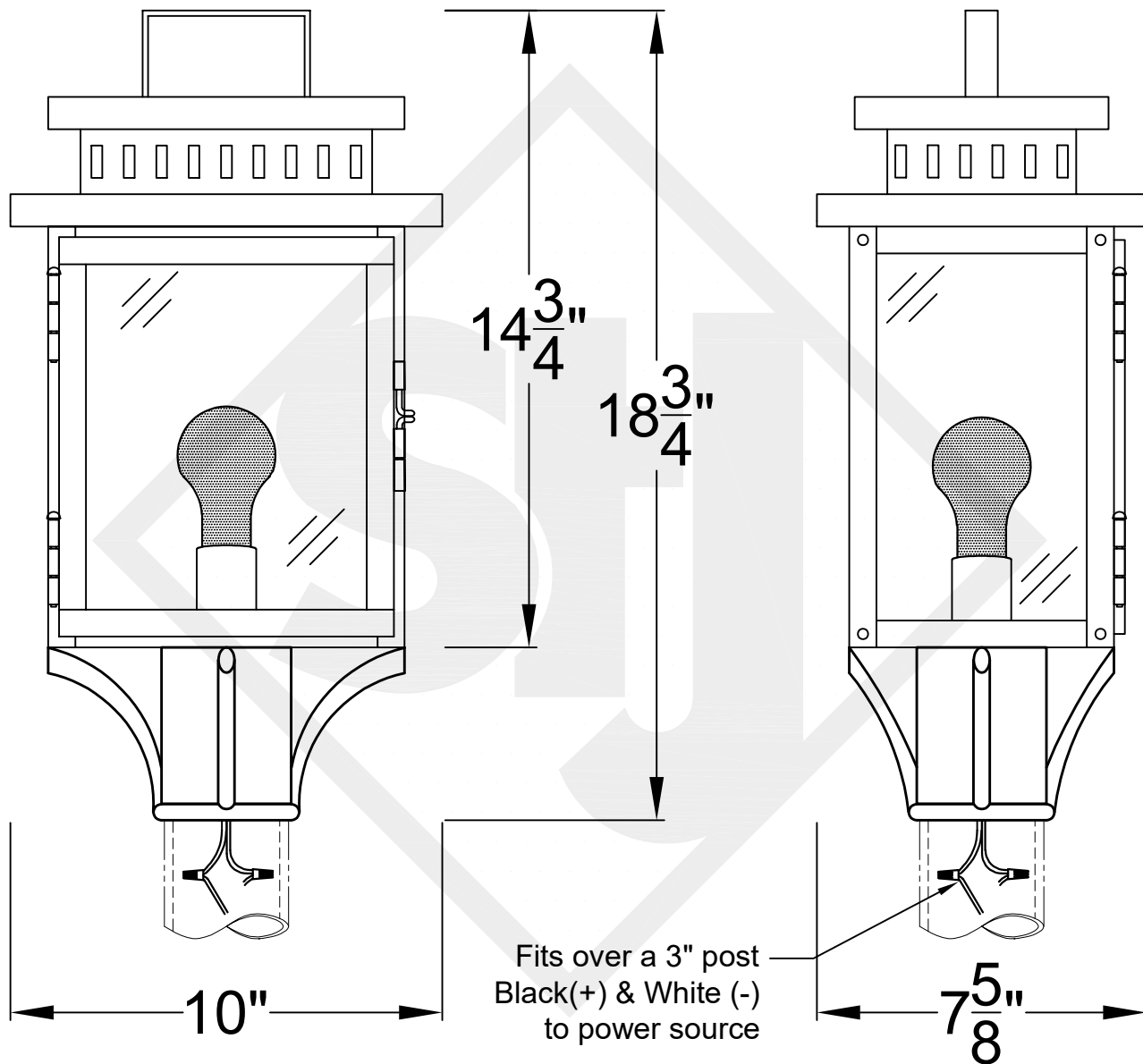


HARPER MINI COPPER POST MOUNT



Front View

Side View



St. James
LIGHTING

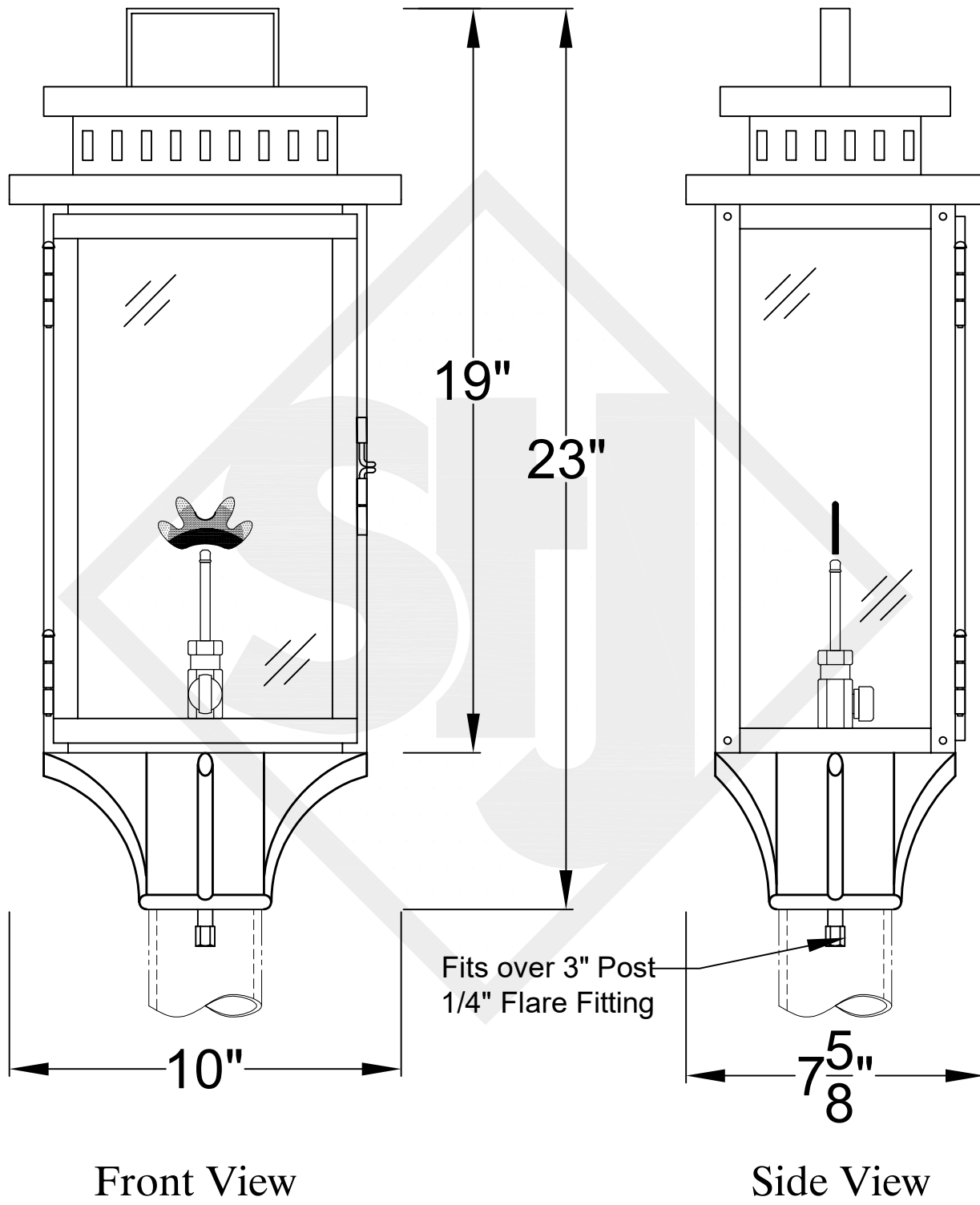
SCALE: N.T.S. DRAFT: Y. McCullough
FILE: HARMINI APP'D: J. Ragan
JOB: X DATE: 12/11/23

Lights are handcrafted.
Dimensions may vary by 1/4"

UL Certified
Candelabra- Max 60 Watt Bulb
Edison- Max 660 Watt Bulb

Mini not available in gas

HARPER SMALL COPPER POST MOUNT



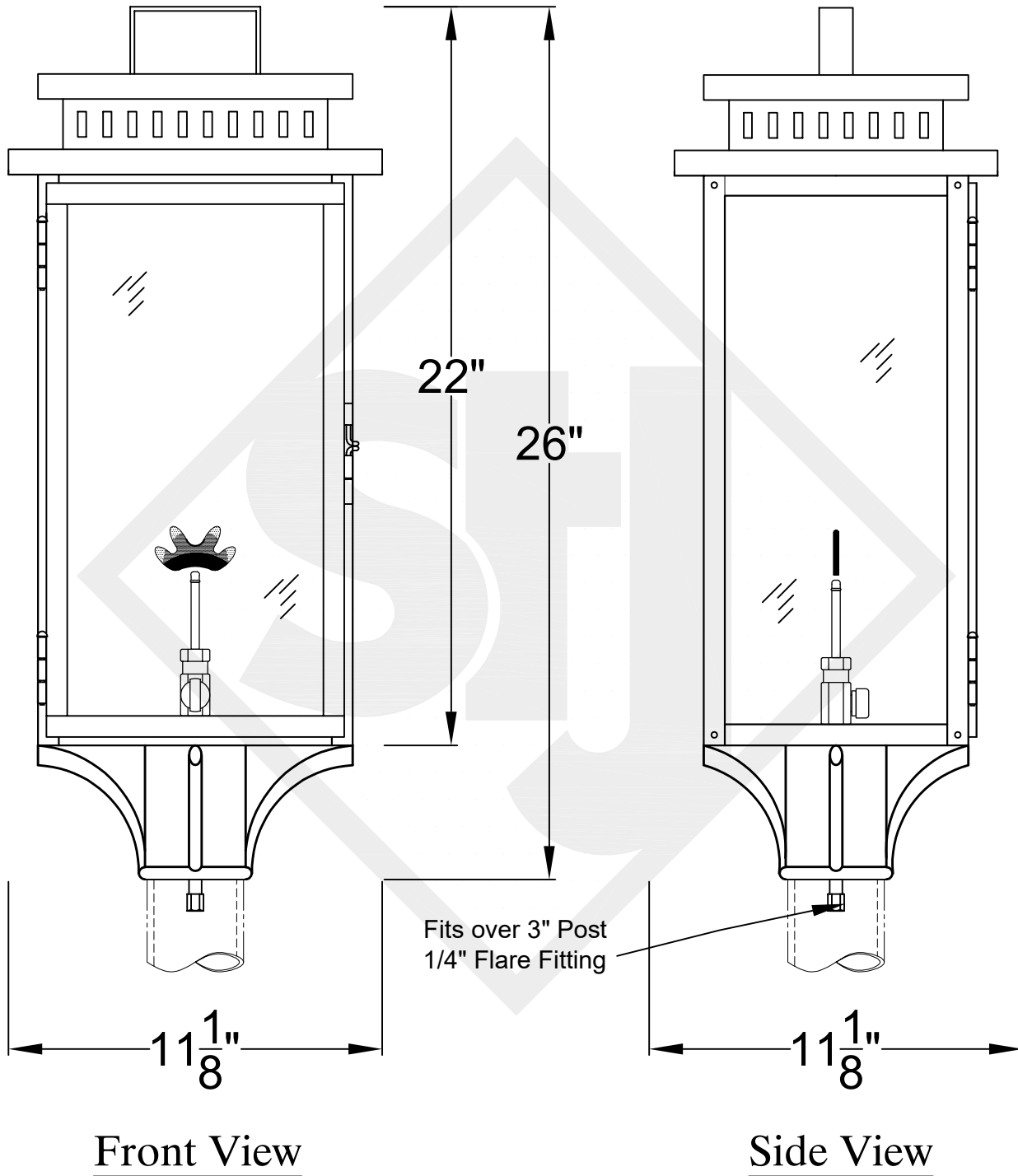
St. James
LIGHTING

SCALE: N.T.S. DRAFT: T. Herring
FILE: HARS APP'D: J. Ragan
JOB: X DATE: 7-27-2023

Lights are handcrafted.
Dimensions may vary by 1/4"

B.T.U. Rating
Natural Gas: 2730 B.T.U.
Propane: 2080 B.T.U.

HARPER MEDIUM COPPER POST MOUNT



Front View

Side View



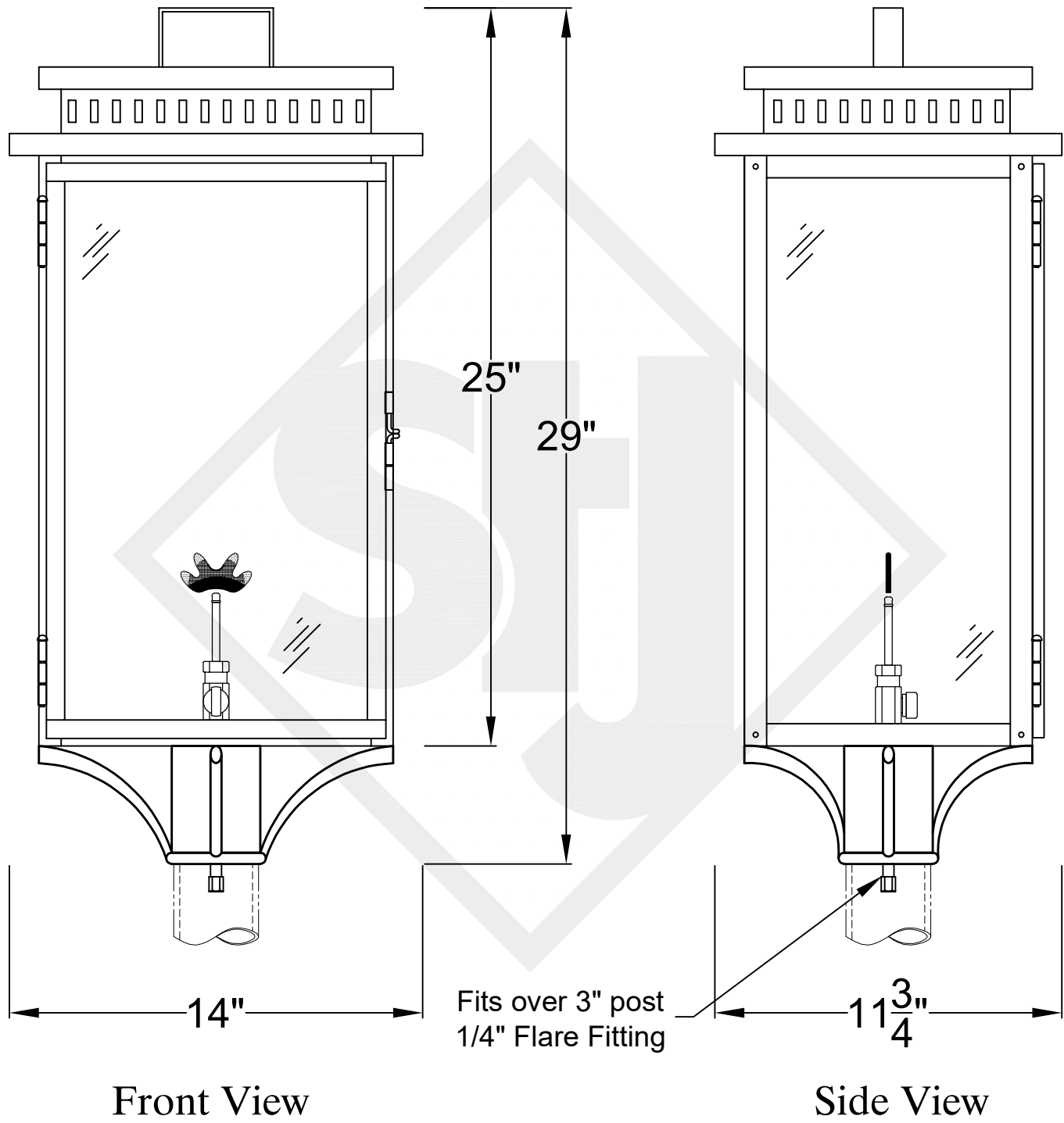
St. James
LIGHTING

SCALE: N.T.S.	DRAFT: T. Herring
FILE: HARM	APP'D: J. Ragan
JOB: X	DATE: 6-28-2023

Lights are handcrafted.
Dimensions may vary by 1/4"

B.T.U. Rating
Natural Gas: 2730 B.T.U.
Propane: 2080 B.T.U.

HARPER LARGE COPPER POST MOUNT



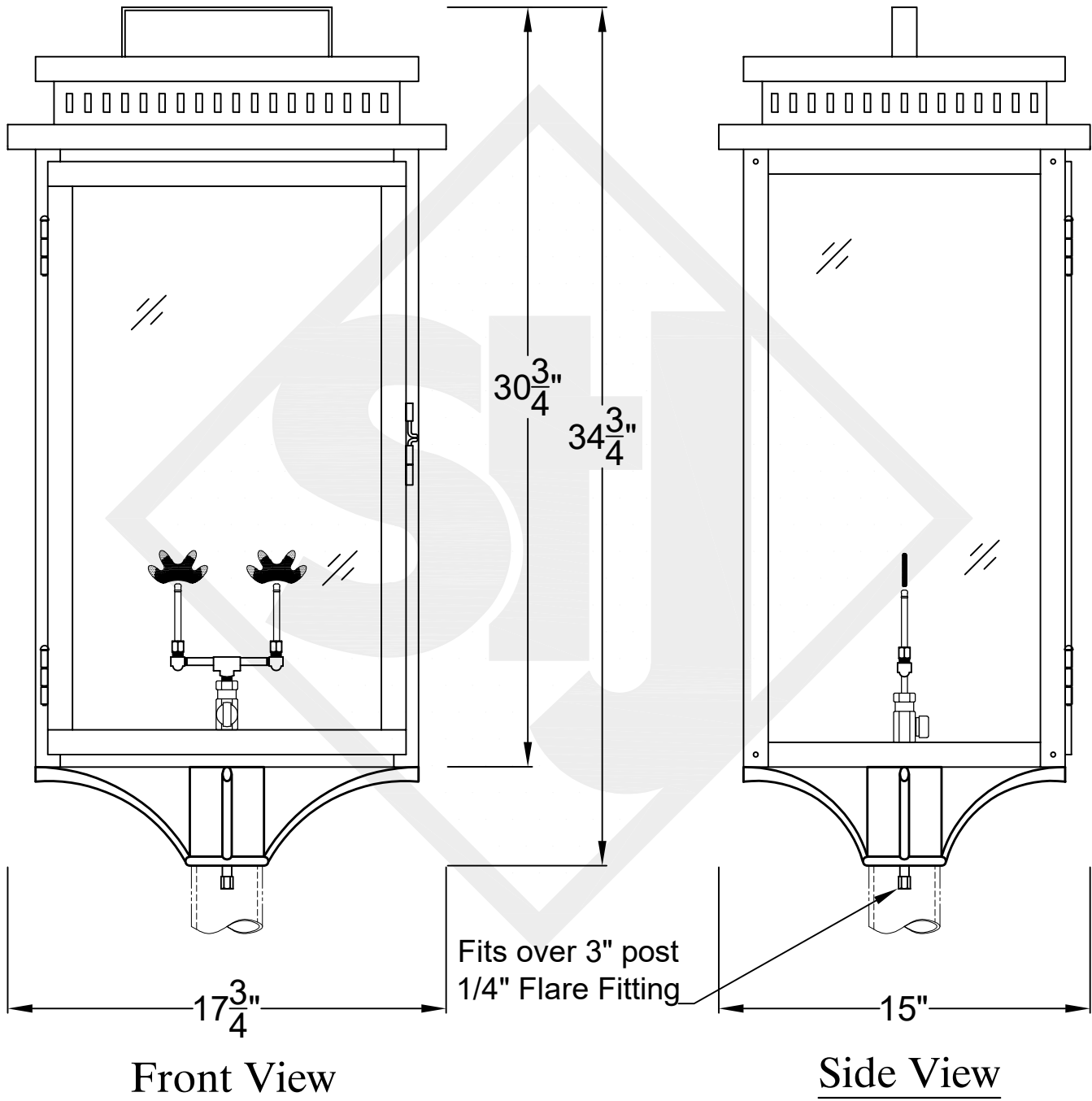
St. James
LIGHTING

SCALE: N.T.S. DRAFT: T. Herring
FILE: HARL APP'D: J. Ragan
JOB: X DATE: 7-31-2023

Lights are handcrafted.
Dimensions may vary by 1/4"

B.T.U. Rating
Natural Gas: 2730 B.T.U.
Propane: 2080 B.T.U.

HARPER GRANDE COPPER POST MOUNT



Front View

Side View



St. James
LIGHTING

SCALE: N.T.S.	DRAFT: T. Herring
FILE: HARG	APP'D: J. Ragan
JOB: X	DATE: 7-31-2023

Lights are handcrafted.
Dimensions may vary by 1/4"

B.T.U. Rating
Natural Gas: 5460 B.T.U.
Propane: 4160 B.T.U.