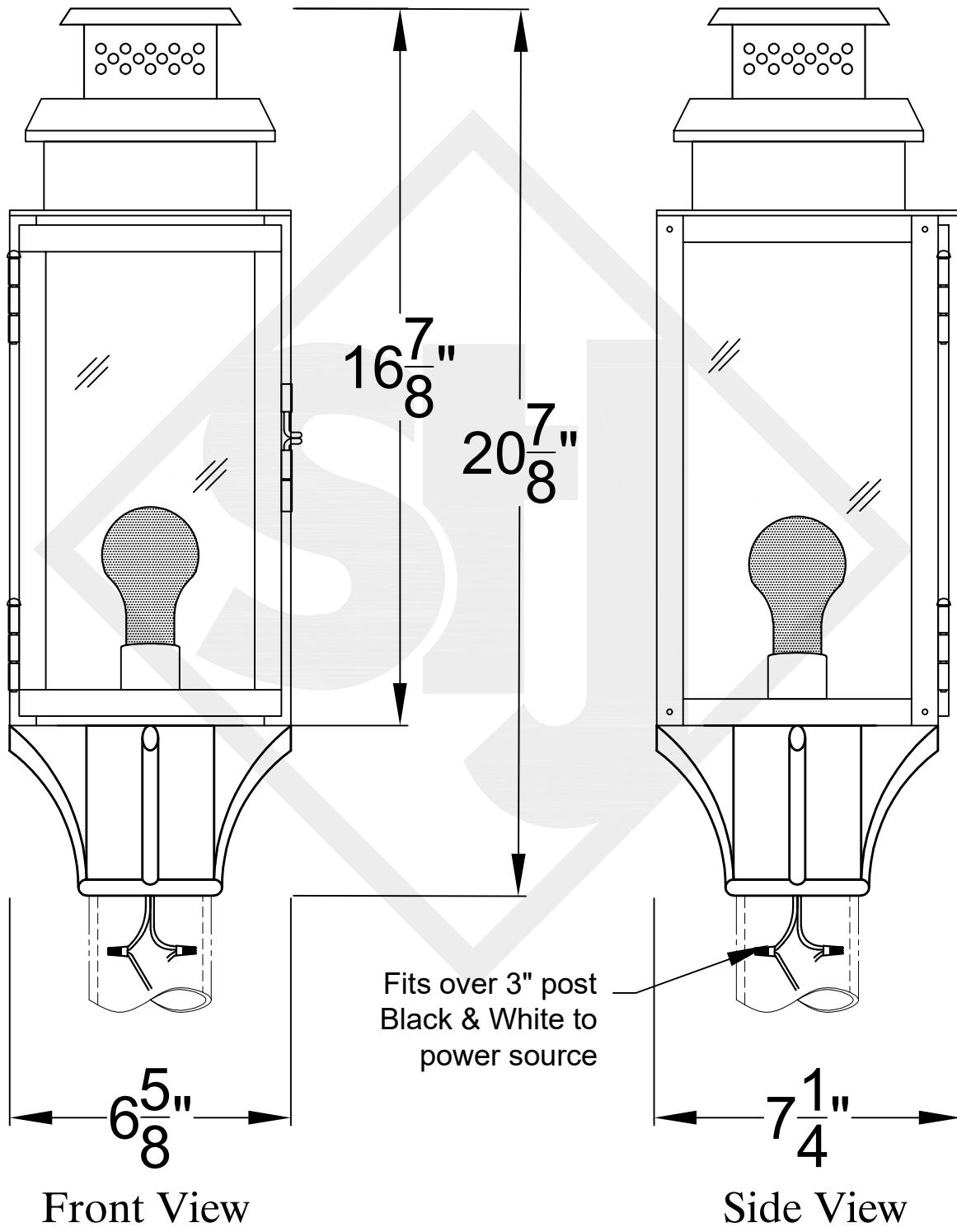



CHICAGO MINI COPPER POST MOUNT

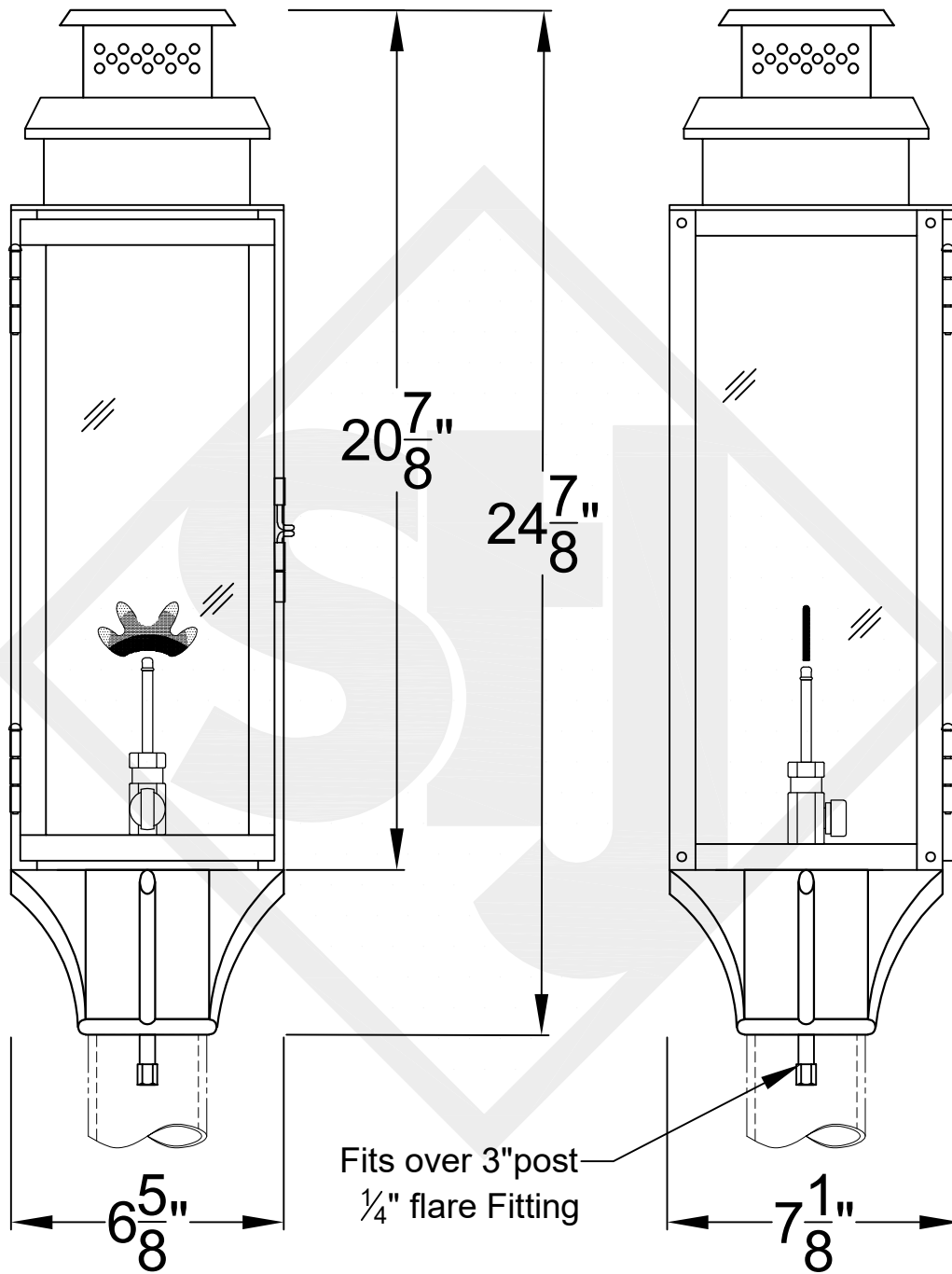


	St. James LIGHTING	
	SCALE: N.T.S.	DRAFT: Y. McCullough
	FILE: CHIMINI	APP'D: J. Ragan
	JOB: X	DATE: 3/26/24

Lights are handcrafted.
Dimensions may vary by 1/4"

Mini not Available in Gas
UL Certified
Candelabra- Max 60 Watt Bulb
Edison- Max 660 Watt Bulb

CHICAGO SMALL COPPER POST MOUNT



Front View

Side View



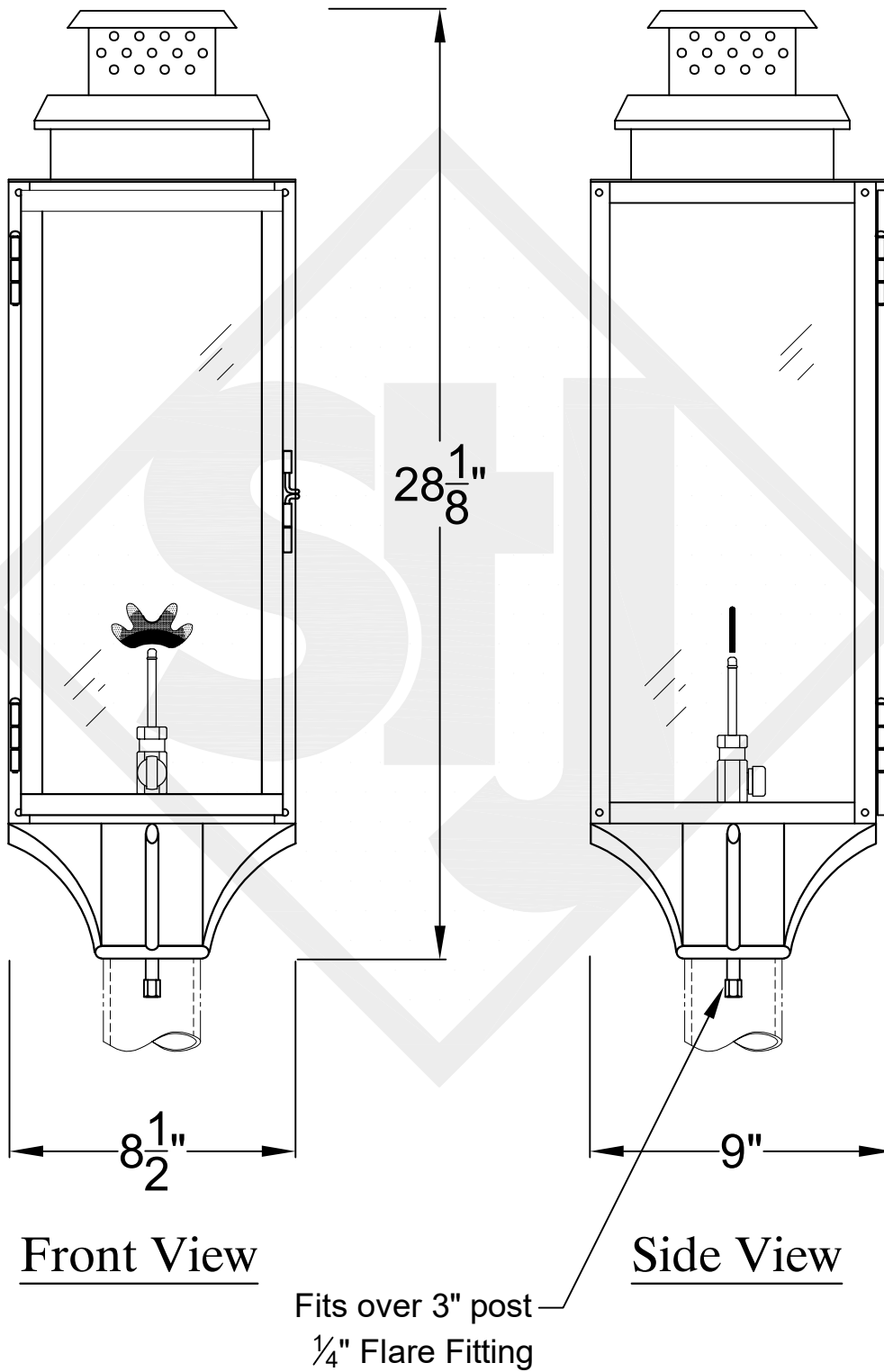
St. James
LIGHTING

SCALE: N.T.S.	DRAFT: Y. McCullough
FILE: CHIS	APP'D: J. Ragan
JOB: X	DATE: 3/26/24

Lights are handcrafted.
Dimensions may vary by 1/4"

B.T.U. Rating
Natural Gas: 2730 B.T.U.
Propane: 2080 B.T.U.

CHICAGO MEDIUM COPPER POST MOUNT



Front View

Side View

Fits over 3" post
1/4" Flare Fitting



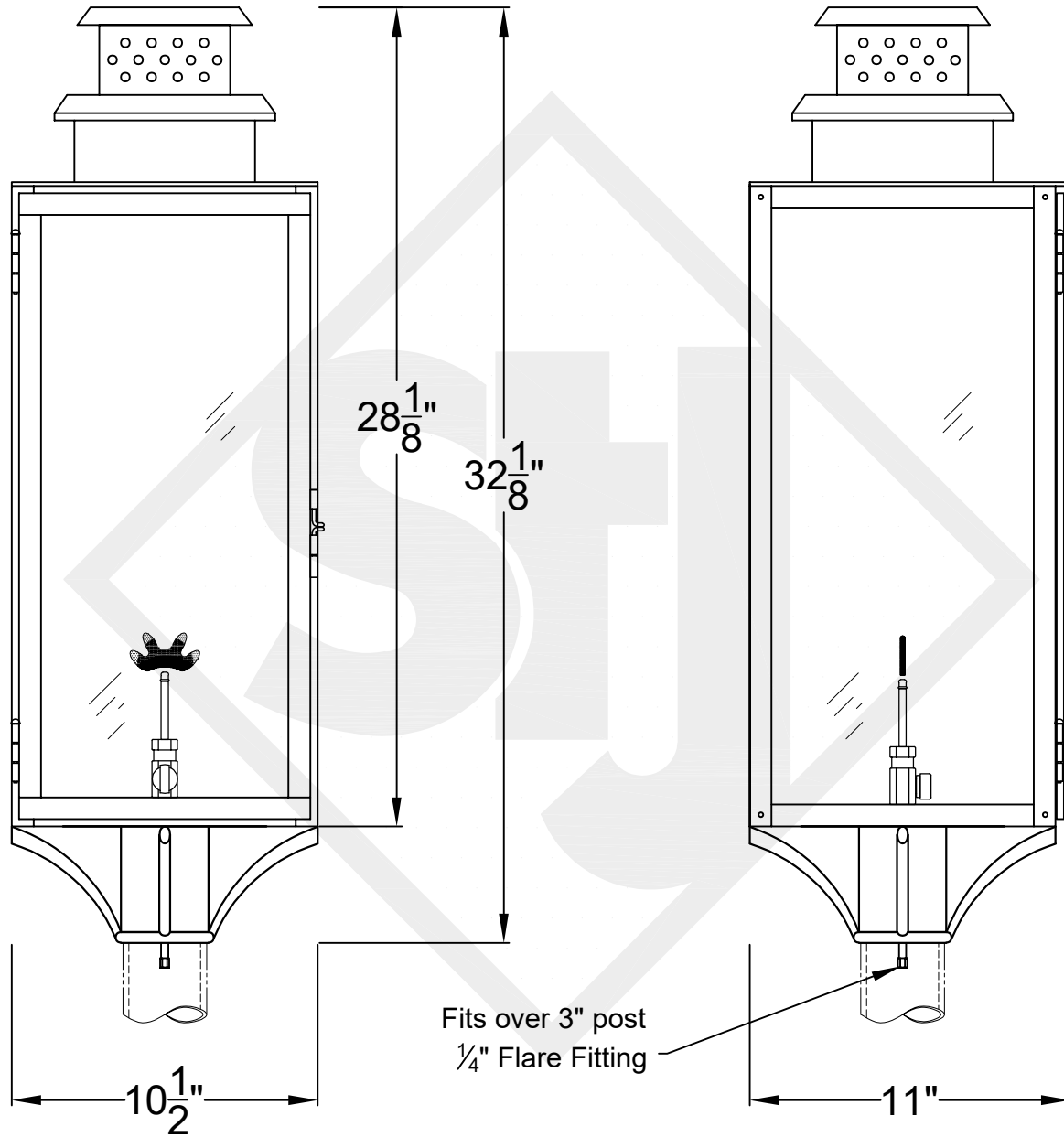
St. James
LIGHTING

SCALE: N.T.S. DRAFT: T. Herring
FILE: CHIM APP'D: J. Ragan
JOB: X DATE: 3-31-2023

Lights are handcrafted.
Dimensions may vary by 1/4"

B.T.U. Rating
Natural Gas: 2730 B.T.U.
Propane: 2080 B.T.U.

CHICAGO LARGE COPPER POST MOUNT



Front View

Side View



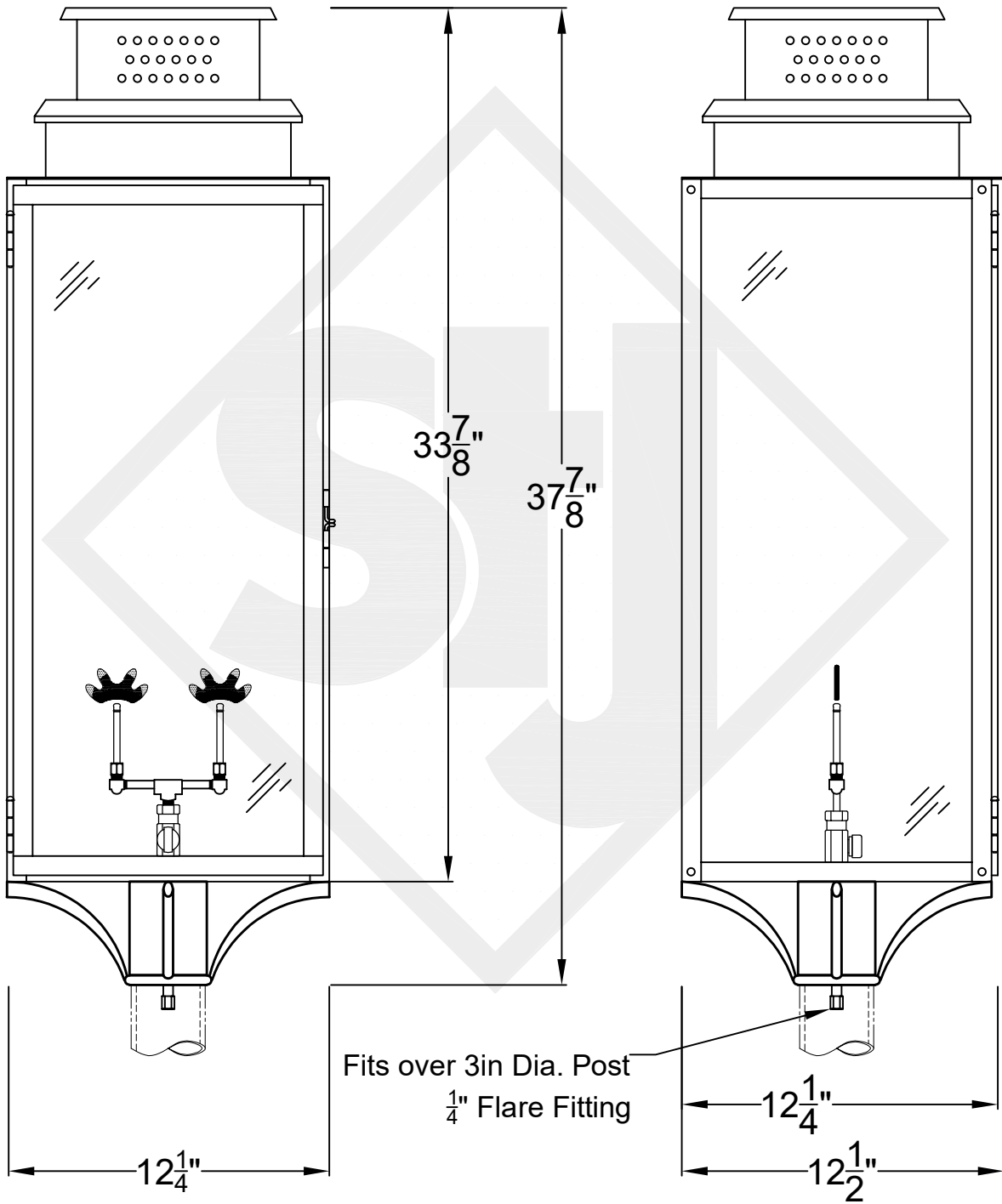
St. James
LIGHTING

SCALE: N.T.S. DRAFT: T. Herring
FILE: CHIL APP'D: J. Ragan
JOB: X DATE: 3-31-2023

Lights are handcrafted.
Dimensions may vary by $\frac{1}{4}$ "

B.T.U. Rating
Natural Gas: 2730 B.T.U.
Propane: 2080 B.T.U.

CHICAGO GRANDE COPPER POST MOUNT



Front View

Side View



St. James
LIGHTING

SCALE: N.T.S.	DRAFT: Y. McCullough
FILE: CHIG	APP'D: J. Ragan
JOB: X	DATE: 11/18/23

Lights are handcrafted.
Dimensions may vary by 1/4"

B.T.U. Rating
Natural Gas: 5460 B.T.U.
Propane: 4160 B.T.U.