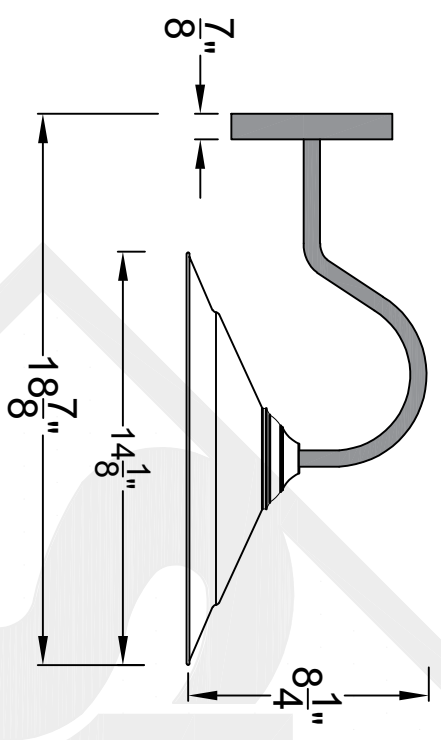
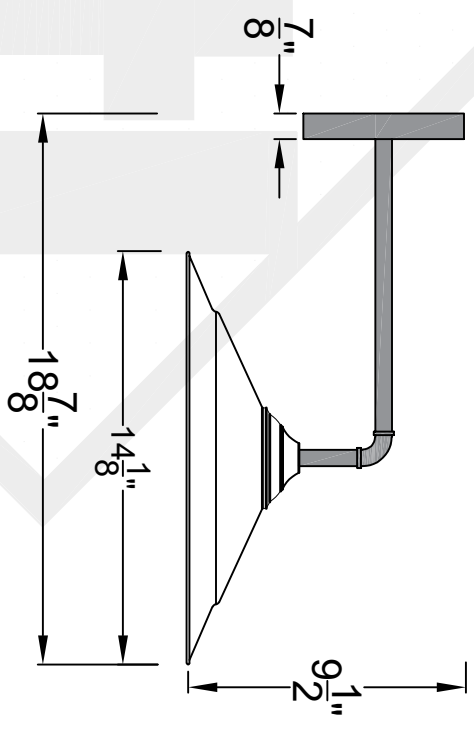


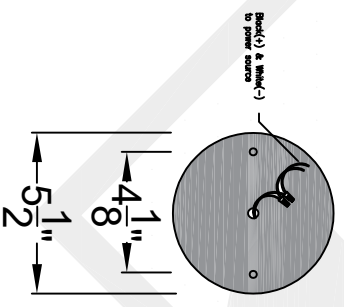
FRANKLIN BARN LIGHT



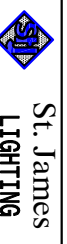
Option A



Option B



Mounting Plate



St. James
LIGHTING

| | |
|---------------|-------------------|
| SCALE: N.T.S. | DRAFT: T. Herring |
| FILE: BARN | APP'D: J. Ragon |
| JOB: X | DATE: 4-19-2023 |

Lights are handcrafted.
Dimensions may vary by 1/4"

UL Certified
Candelabra- Max 60 Watt Bulb
Edison- Max 660 Watt Bulb