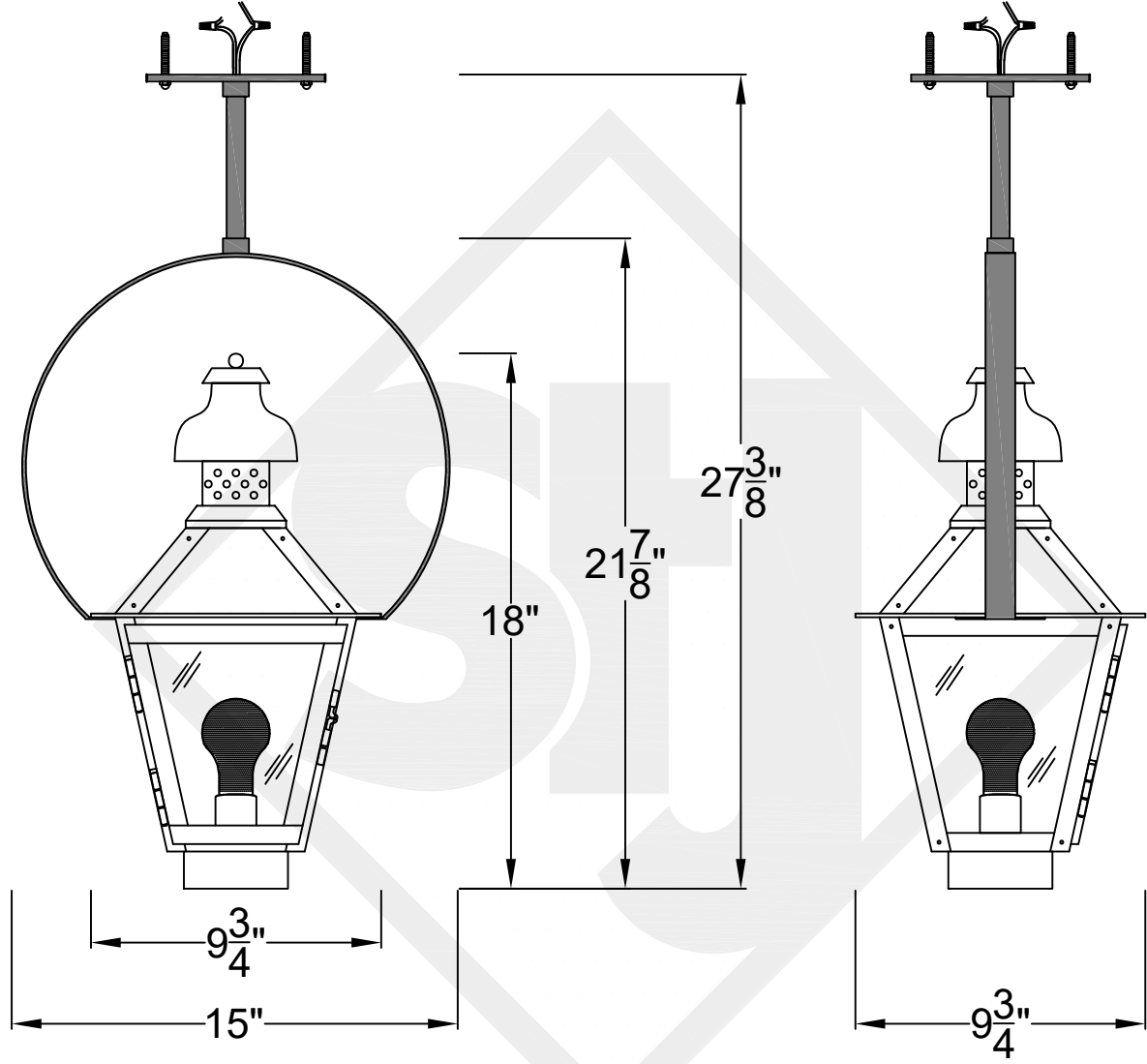


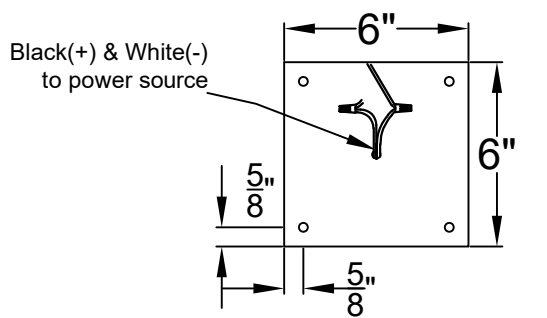
LOGAN MINI CEILING MOUNT HALF YOKE

Available w/ Solid
or Glass Top
Shortest Height 23 ⁵/₈"




Front View

Side View



Ceiling Mount

	St. James LIGHTING
SCALE: N.T.S.	DRAFT: T. Herring
FILE: LOGMINI	APP'D: J. Ragan
JOB: X	DATE: 8-16-2023

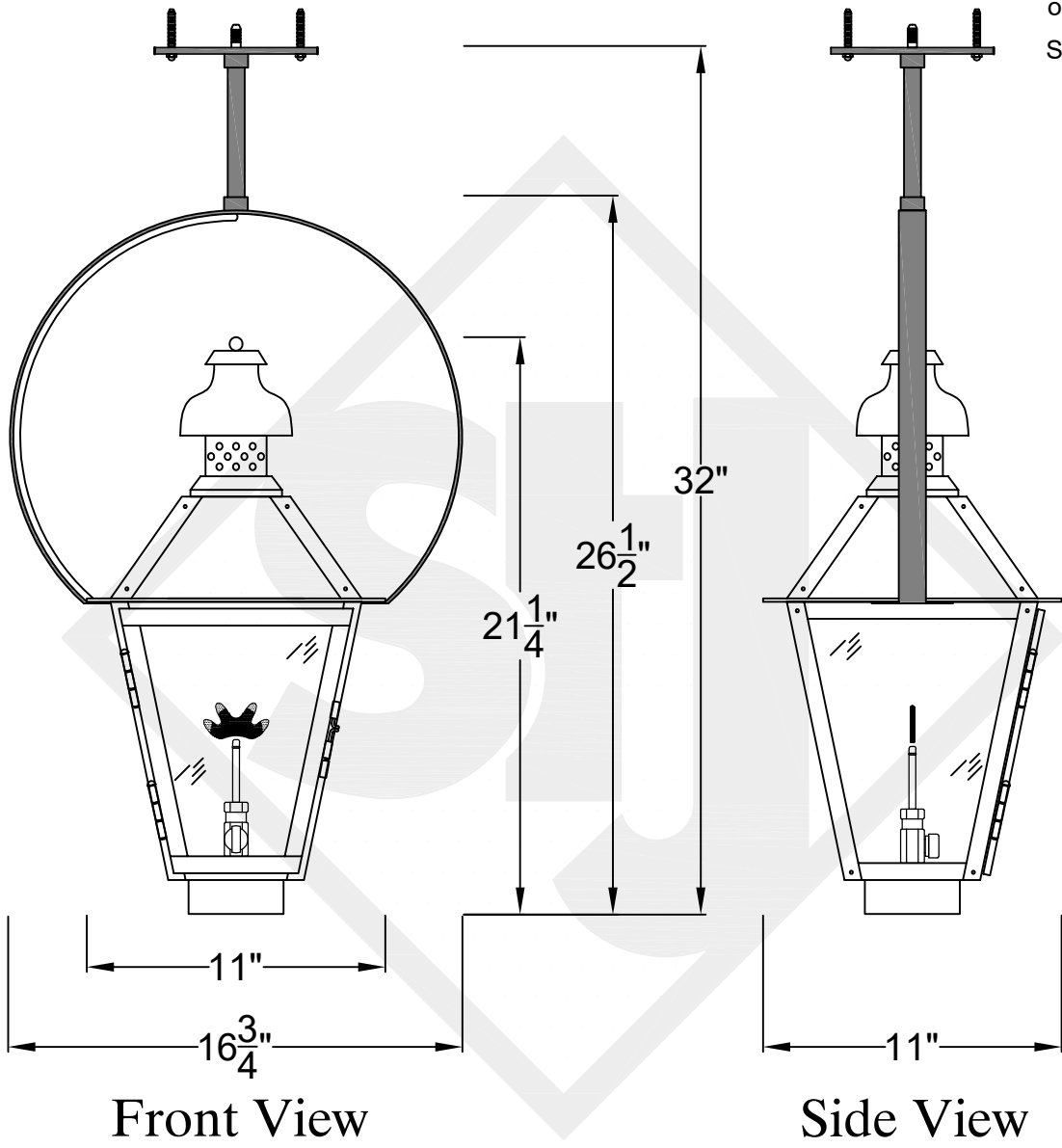
Lights are handcrafted.
Dimensions may vary by 1/4"

Mini not Available in Gas

UL Certified
Candelabra- Max 60 Watt Bulb
Edison- Max 660 Watt Bulb

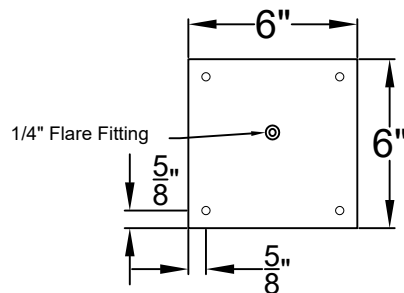
LOGAN SMALL CEILING MOUNT HALF YOKE

Available w/ Solid
or Glass Top
Shortest Height 28 $\frac{1}{4}$ "



Front View

Side View



Ceiling Mount



St. James
LIGHTING

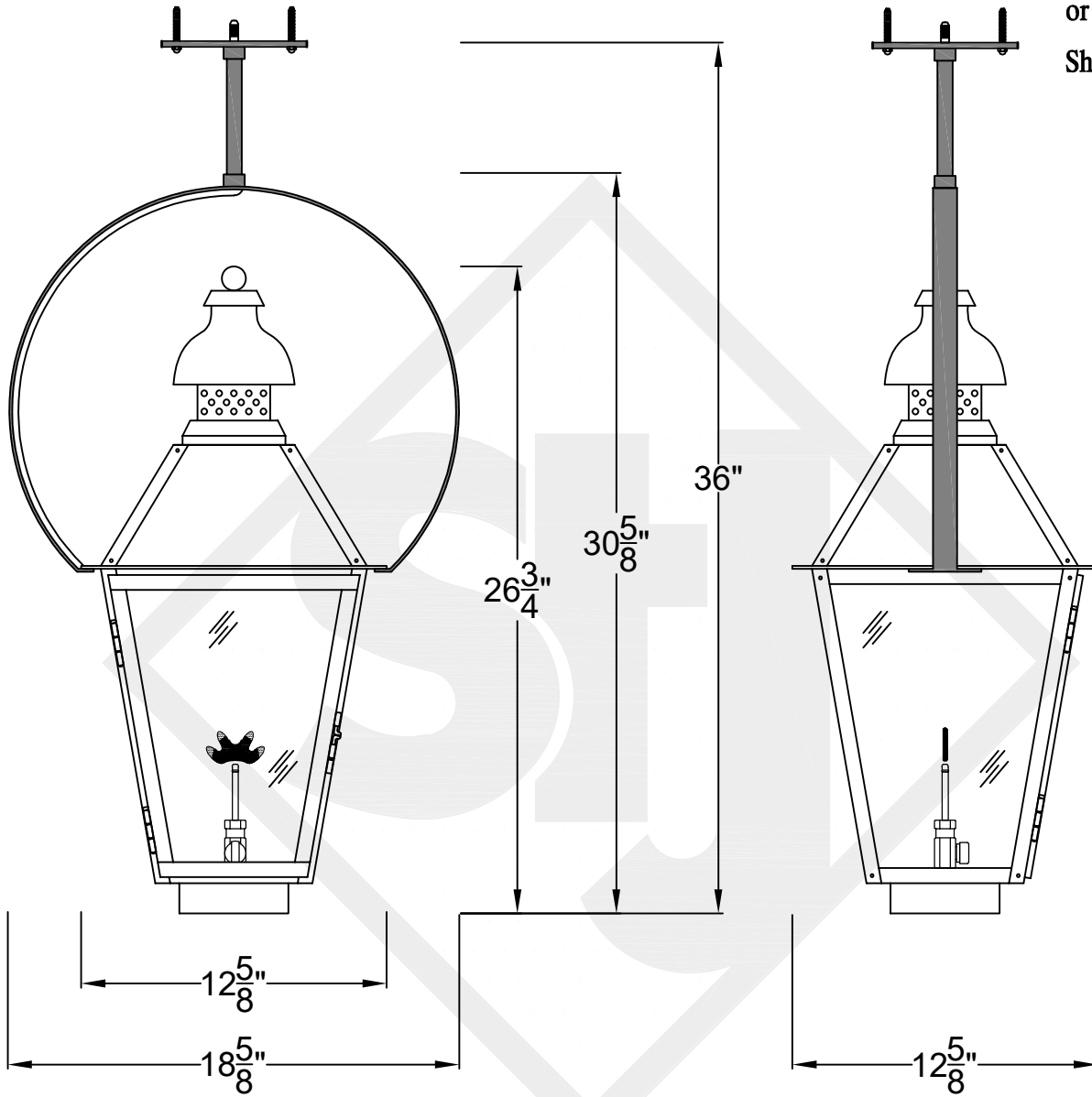
SCALE: N.T.S.	DRAFT: Y. McCullough
FILE: LOGS	APP'D: J. Ragan
JOB: X	DATE: 11/24/23

Lights are handcrafted.
Dimensions may vary by 1/4"

B.T.U. Rating
Natural Gas: 2730 B.T.U.
Propane: 2080 B.T.U.

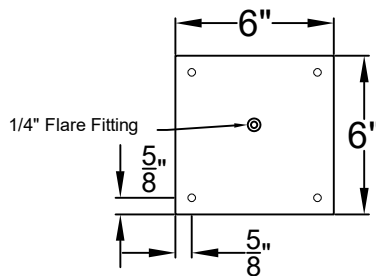
LOGAN MEDIUM CEILING MOUNT HALF YOKE

Available w/ Solid
or Glass Top
Shortest Height $33\frac{3}{4}$ "



Front View

Side View



Ceiling Mount



St. James
LIGHTING

SCALE: N.T.S.	DRAFT: Y. McCullough
FILE: LOGM	APP'D: J. Ragan
JOB: X	DATE: 11/24/23

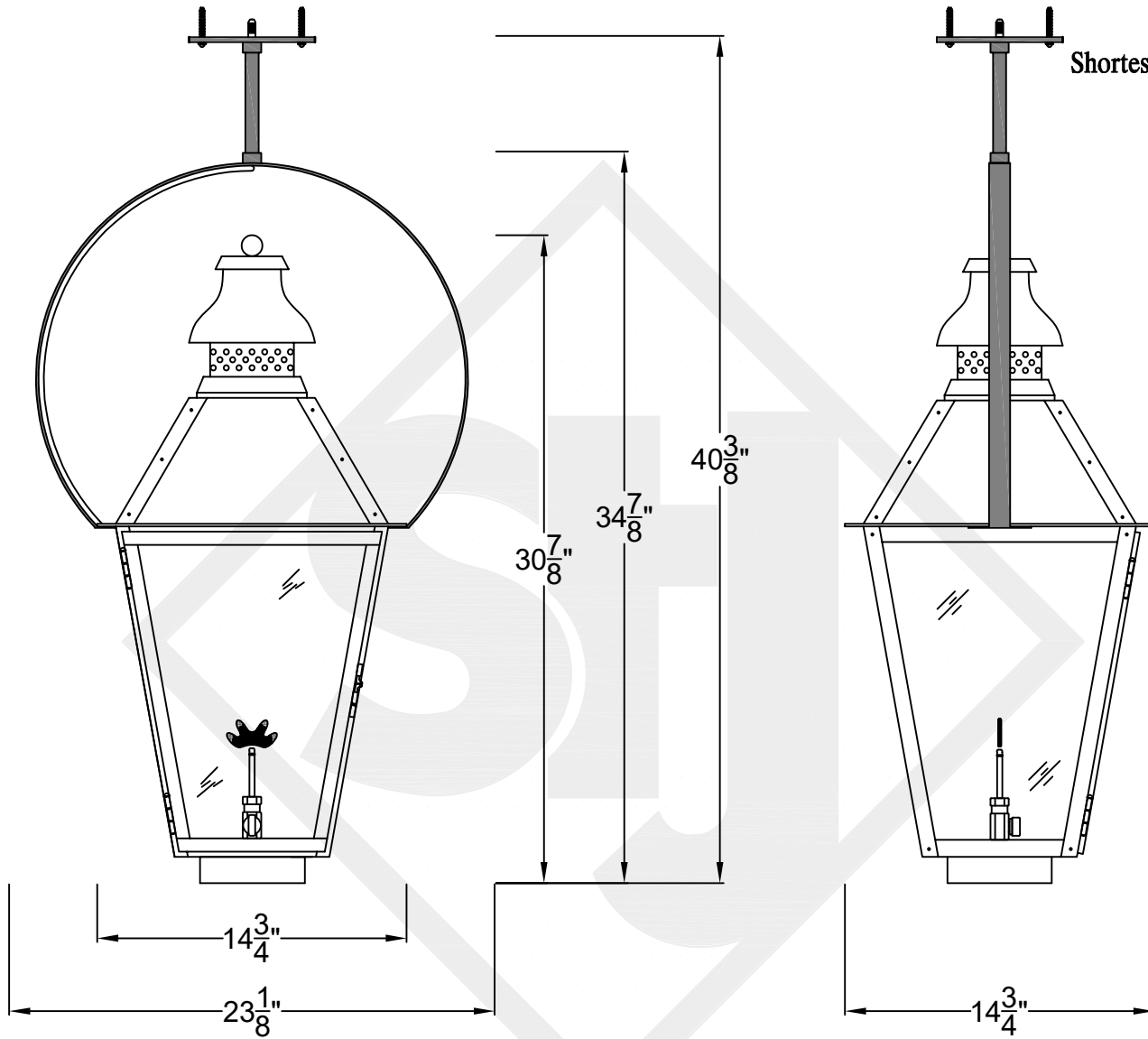
Lights are handcrafted.
Dimensions may vary by 1/4"

B.T.U. Rating
Natural Gas: 2730 B.T.U.
Propane: 2080 B.T.U.

LOGAN LARGE CEILING MOUNT HALF YOKE

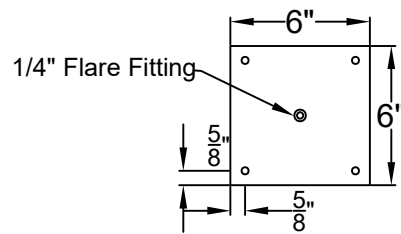
Available w/ Solid
or Glass Top

Shortest Height $37\frac{3}{4}"$



Front View

Side View



Ceiling Mount



St. James
LIGHTING

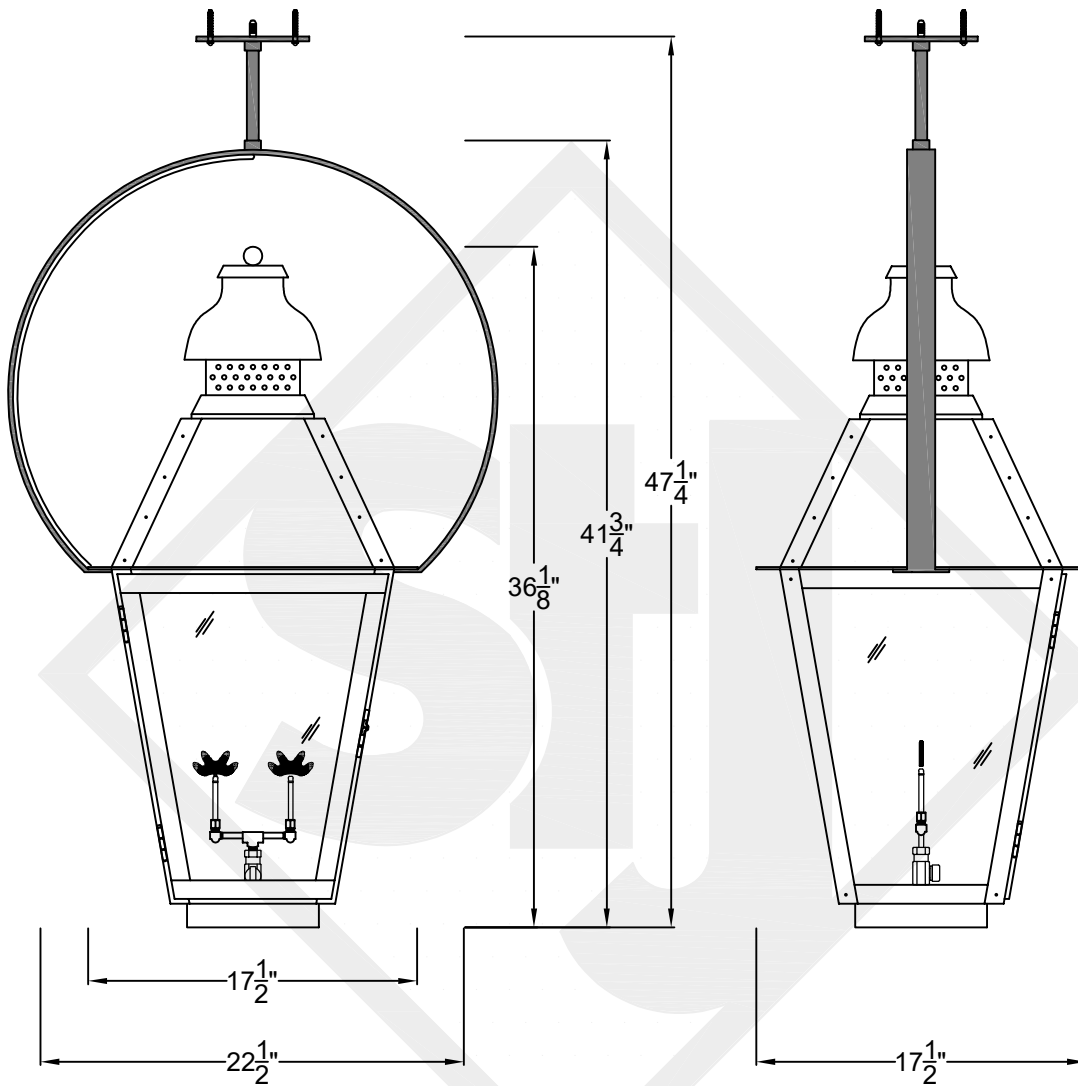
SCALE: N.T.S.	DRAFT: Y. McCullough
FILE: LOGL	APP'D: J. Ragan
JOB: X	DATE: 11/24/23

Lights are handcrafted.
Dimensions may vary by 1/4"

B.T.U. Rating
Natural Gas: 2730 B.T.U.
Propane: 2080 B.T.U.

LOGAN GRANDE CEILING MOUNT HALF YOKE

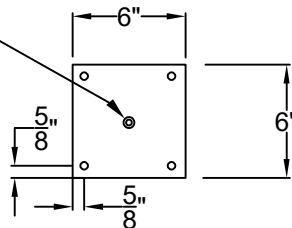
Available w/ Solid or Glass Top
Shortest Height 43 1/2"



Front View

Side View

1/4" Flare Fitting



Ceiling Mount



St. James
LIGHTING

SCALE: N.T.S.	DRAFT: Y. McCullough
FILE: LOGG	APP'D: J. Ragan
JOB: X	DATE: 11/24/23

Lights are handcrafted.
Dimensions may vary by 1/4"

B.T.U. Rating
Natural Gas: 5460 B.T.U.
Propane: 4160 B.T.U.