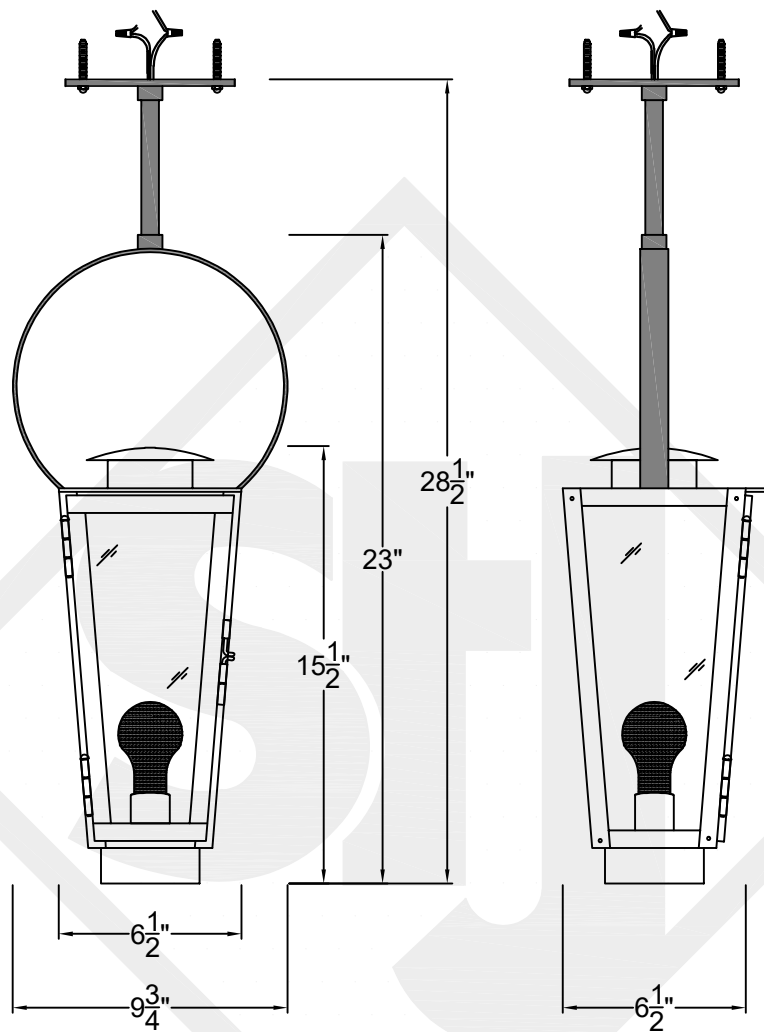


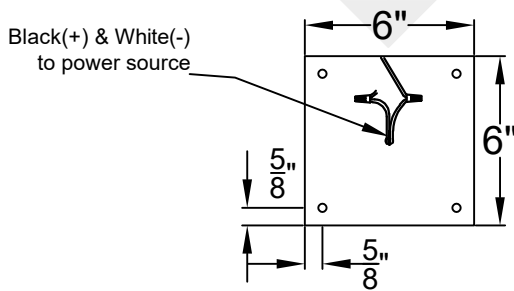
# EQUESTRIAN MINI CEILING MOUNT HALF YOKE

Shortest Height 23 1/2"



Front View

Side View



Ceiling Mount



**St. James  
LIGHTING**

SCALE: N.T.S.      DRAFT: Y. McCullough  
FILE: EQU MINI      APP'D: J. Ragan  
JOB: X              DATE: 12/18/23

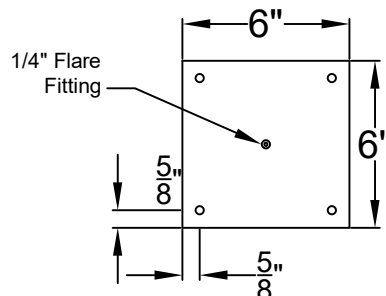
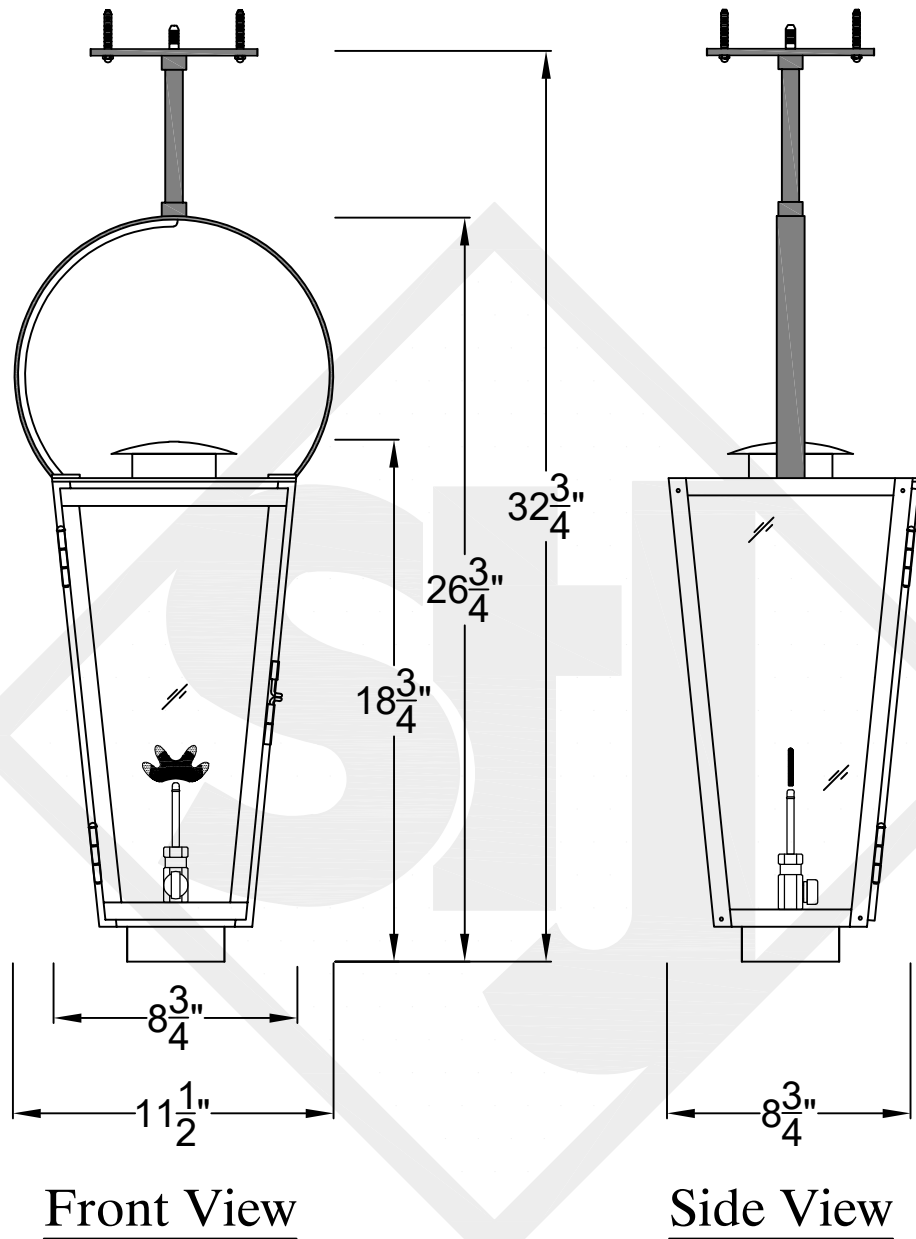
Lights are handcrafted.  
Dimensions may vary by 1/4"

UL Certified  
Candelabra- Max 60 Watt Bulb  
Edison- Max 660 Watt Bulb

**Mini not Available in Gas**

# EQUESTRIAN SMALL CEILING MOUNT HALF YOKE

Shortest Height 30  $\frac{1}{4}$ "



Backplate



St. James  
LIGHTING

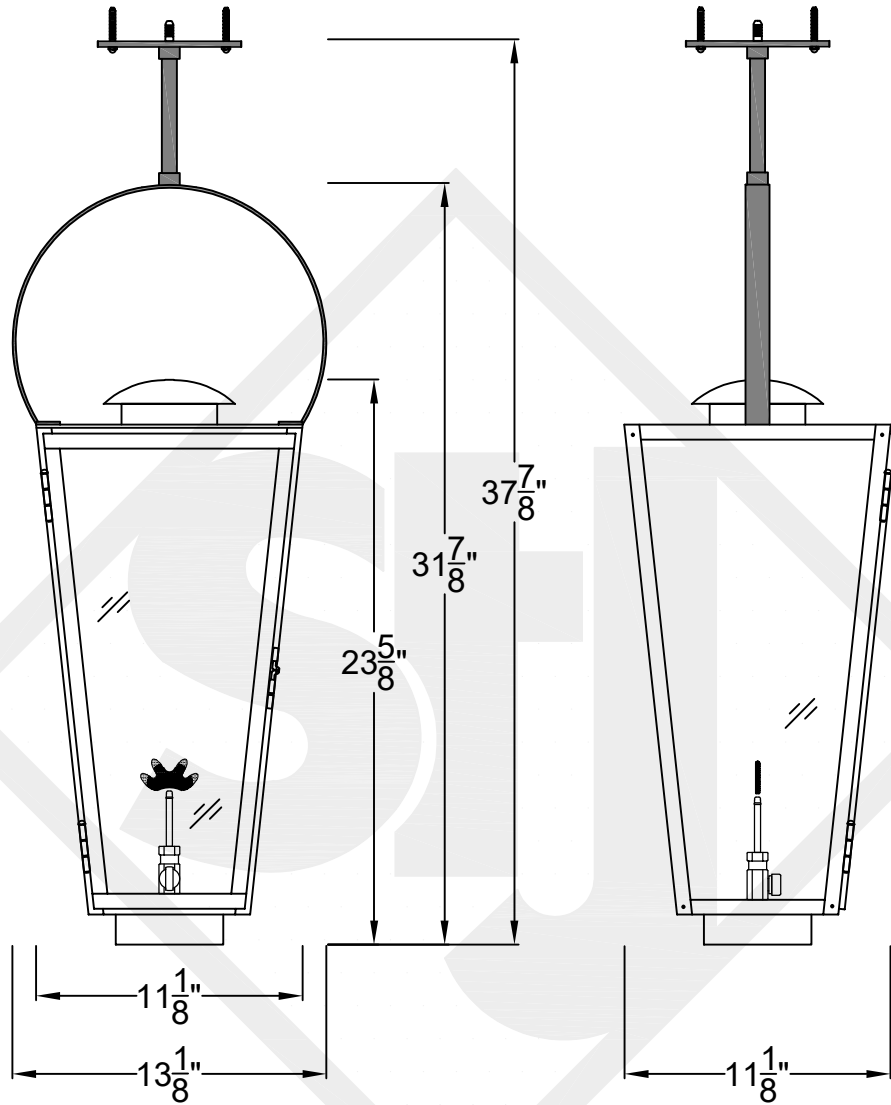
SCALE: N.T.S.	DRAFT: M. Buckley
FILE: EQU8	APP'D: J. Ragan
JOB: X	DATE: 3/26/24

Lights are handcrafted.  
Dimensions may vary by 1/4"

B.T.U. Rating  
Natural Gas: 2730 B.T.U.  
Propane: 2080 B.T.U.

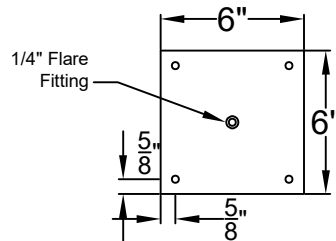
# EQUESTRIAN MEDIUM CEILING MOUNT HALF YOKE

Shortest Height 34 <sup>5</sup>/<sub>8</sub>"



Front View

Side View



Ceiling Mount



St. James  
LIGHTING

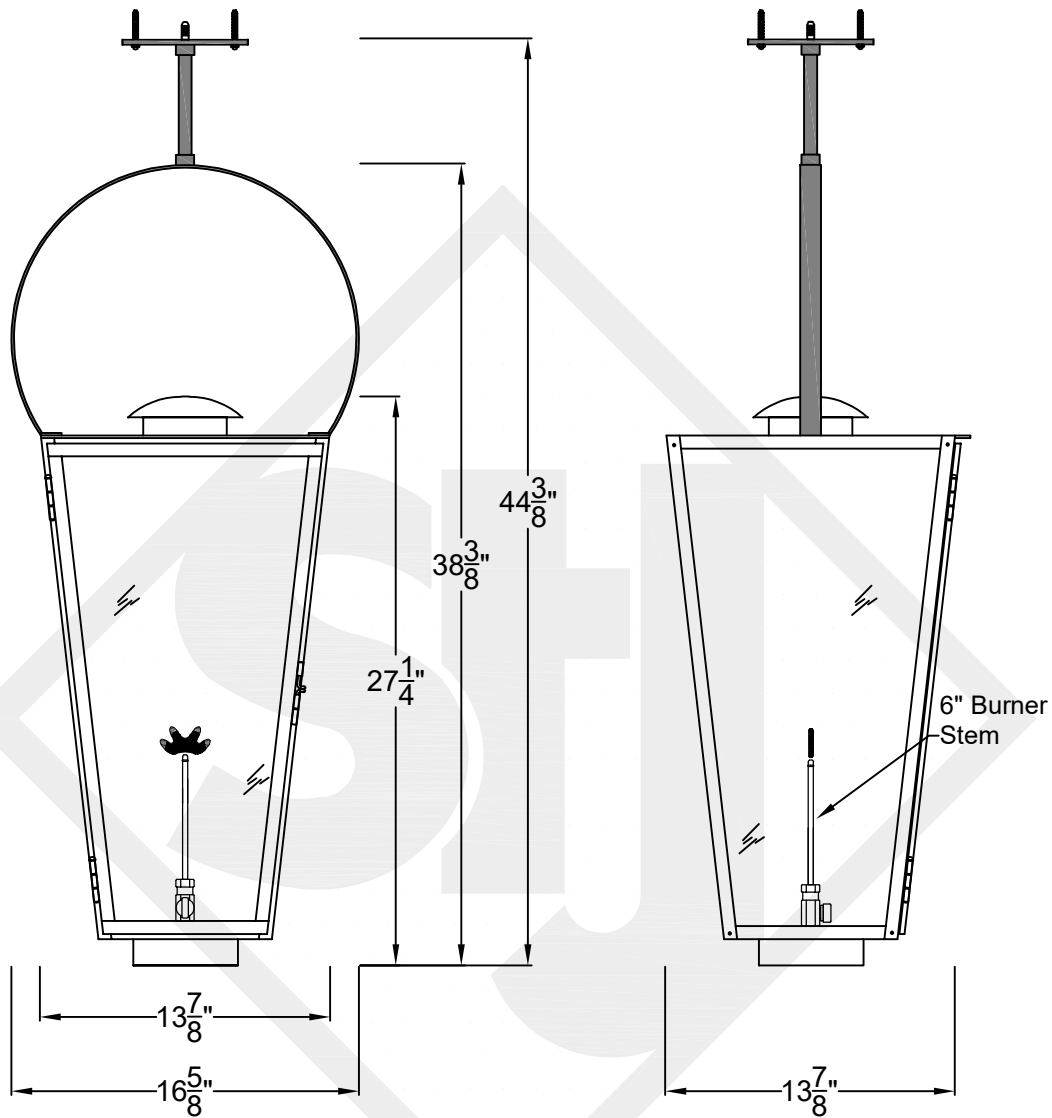
SCALE: N.T.S.	DRAFT: Y. McCullough
FILE: EQU	APP'D: J. Ragan
JOB: X	DATE: 12/14/23

Lights are handcrafted.  
Dimensions may vary by 1/4"

B.T.U. Rating  
Natural Gas: 2730 B.T.U.  
Propane: 2080 B.T.U.

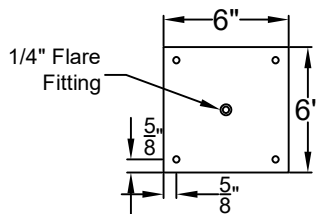
# EQUESTRIAN LARGE CEILING MOUNT HALF YOKE

Shortest Height 40  $\frac{1}{2}$ "



Front View

Side View



Ceiling Mount



St. James  
LIGHTING

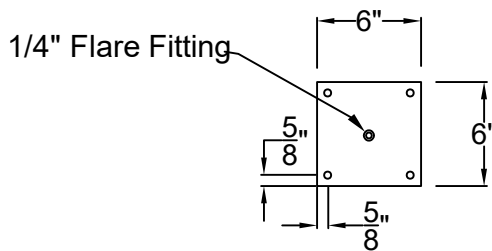
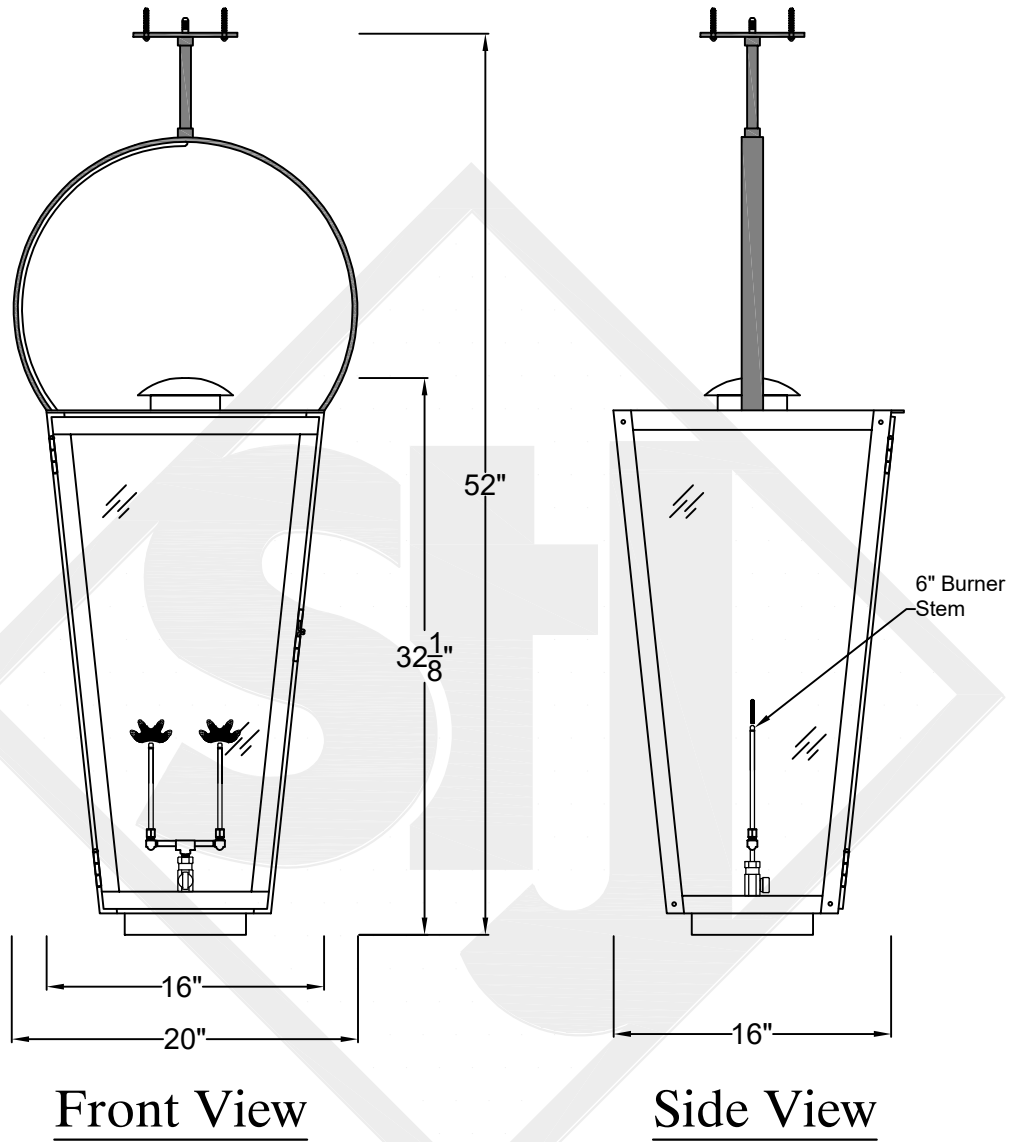
SCALE: N.T.S.	DRAFT: M. Buckley
FILE: EQU	APP'D: J. Ragan
JOB: X	DATE: 3/26/24

Lights are handcrafted.  
Dimensions may vary by 1/4"

B.T.U. Rating  
Natural Gas: 2730 B.T.U.  
Propane: 2080 B.T.U.

# EQUESTRIAN GRANDE CEILING MOUNT HALF YOKE

Shortest Height 48  $\frac{1}{4}$ "



**St. James  
LIGHTING**

SCALE: N.T.S.	DRAFT: Y. McCullough
FILE: EQUG	APP'D: J. Ragan
JOB: X	DATE: 12/14/23

Lights are handcrafted.  
Dimensions may vary by 1/4"

B.T.U. Rating  
Natural Gas: 5460 B.T.U.  
Propane: 4160 B.T.U.