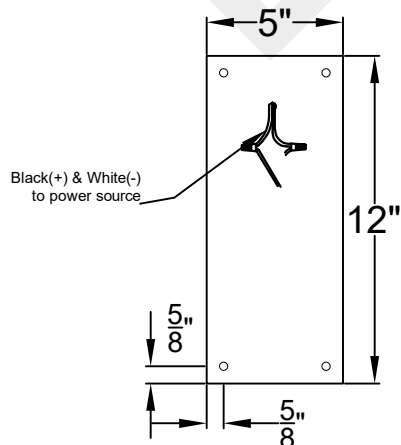
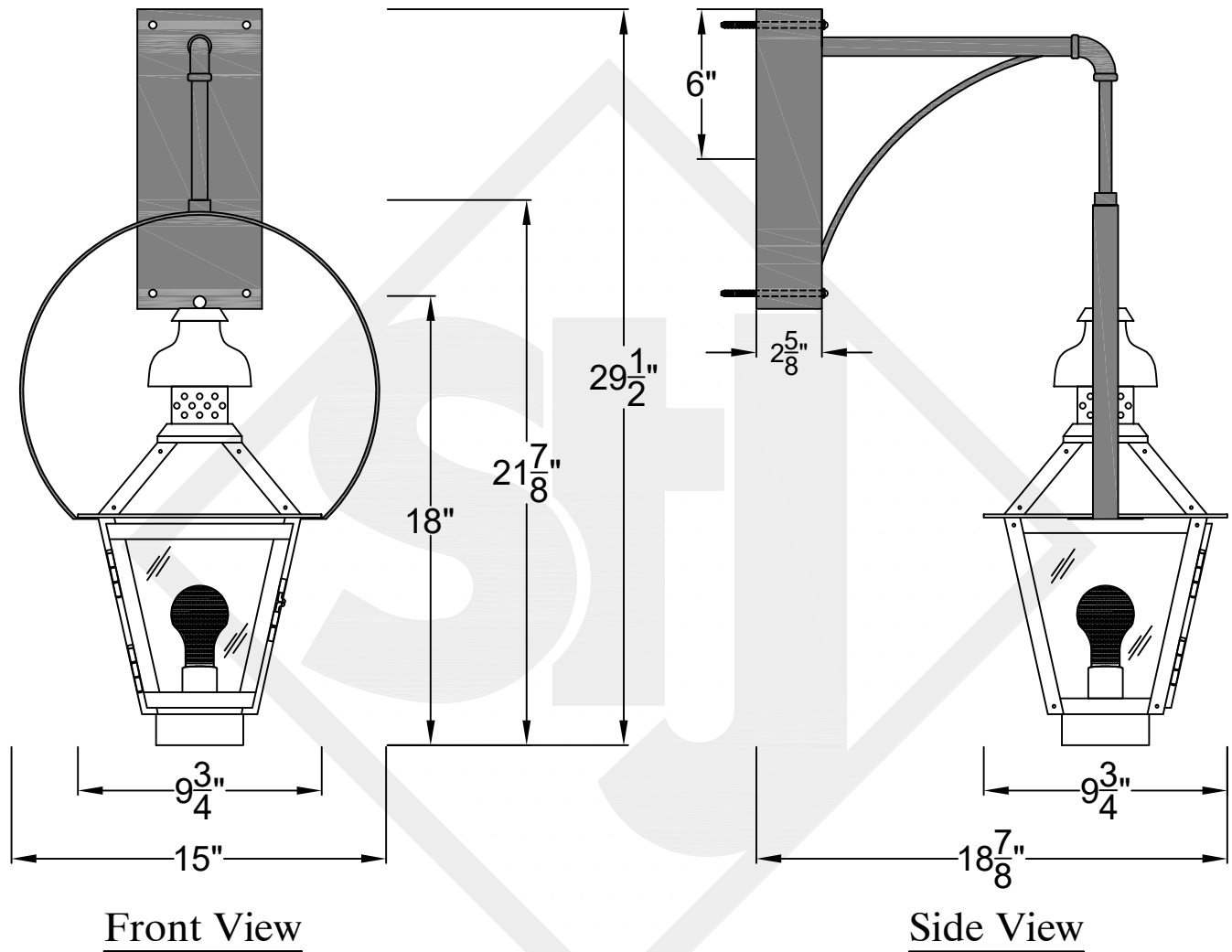



LOGAN MINI WALL MOUNT HALF YOKE

Available w/ Solid
or Glass Top
Shortest Height 26 ³/₈"



Backplate

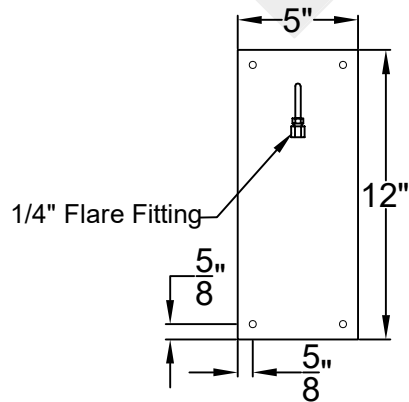
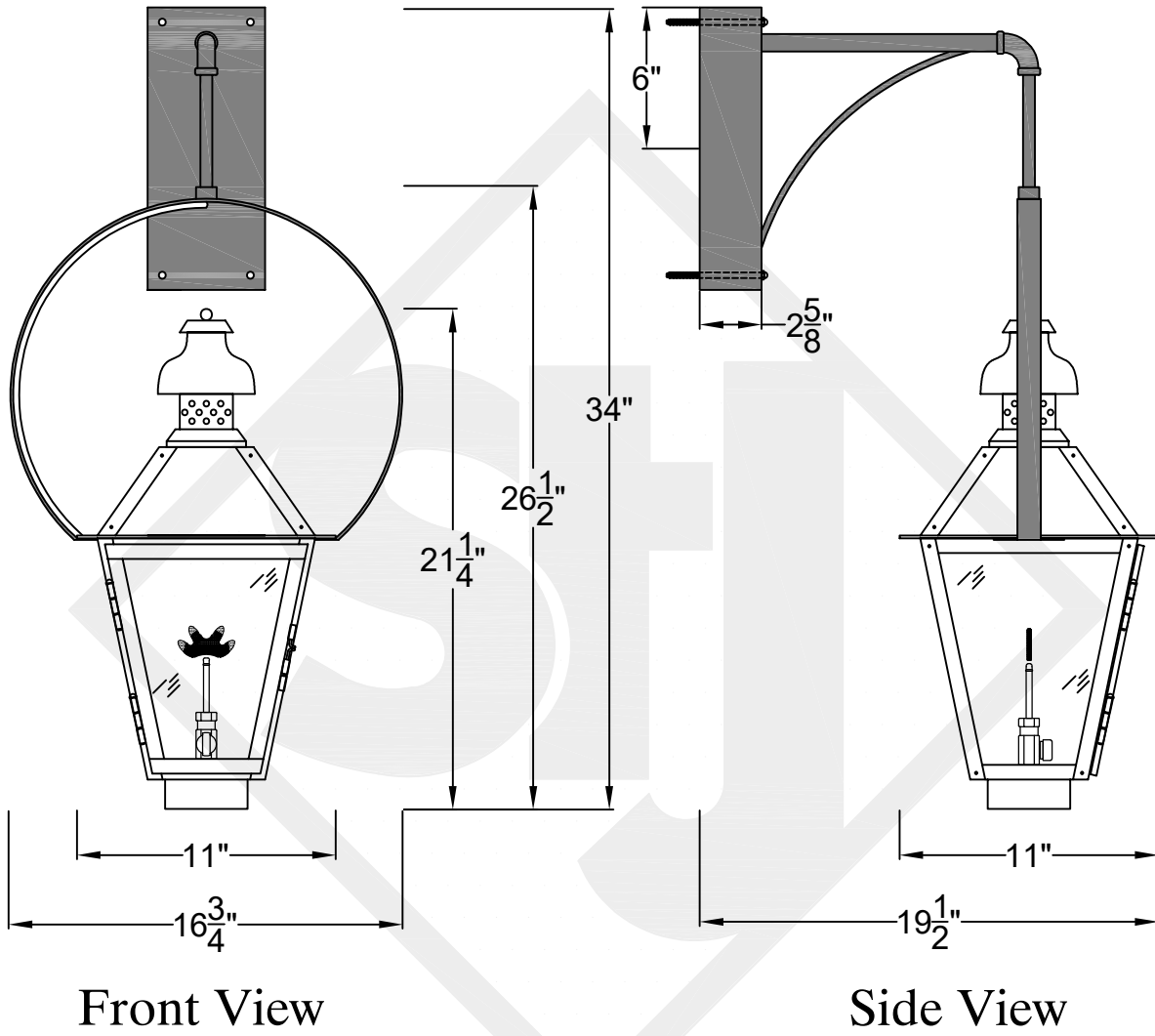
 St. James LIGHTING	
SCALE: N.T.S.	DRAFT: T. Herring
FILE: LOGMINI	APP'D: J. Ragan
JOB: X	DATE: 8-9-2023


Lights are handcrafted.
Dimensions may vary by 1/4"

Mini not Available in Gas
UL Certified
Candelabra- Max 60 Watt Bulb
Edison- Max 660 Watt Bulb

LOGAN SMALL WALL MOUNT HALF YOKE

Available w/ Solid
or Glass Top
Shortest Height 28 $\frac{1}{4}$ "



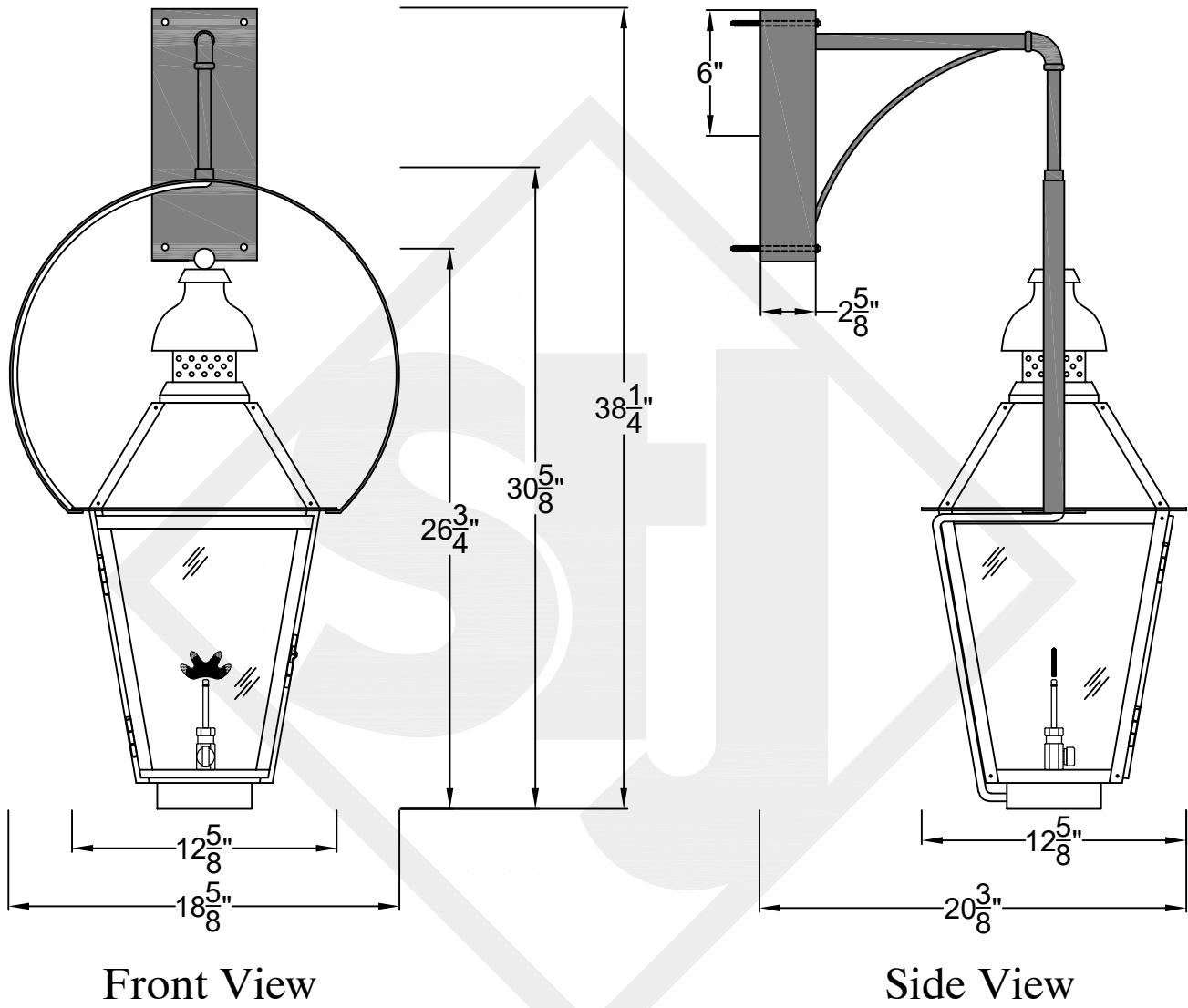
	St. James LIGHTING	
	SCALE: N.T.S.	DRAFT: T. Herring
	FILE: LOGS	APP'D: J. Ragan
	JOB: X	DATE: 8-3-2023

Lights are handcrafted.
Dimensions may vary by 1/4"

B.T.U. Rating
Natural Gas: 2730 B.T.U.
Propane: 2080 B.T.U.

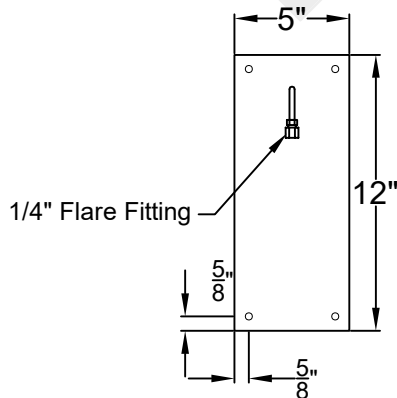
LOGAN MEDIUM WALL MOUNT HALF YOKE

Available w/ Solid
or Glass Top
Shortest Height $34\frac{1}{2}$ "



Front View

Side View



Backplate



St. James
LIGHTING

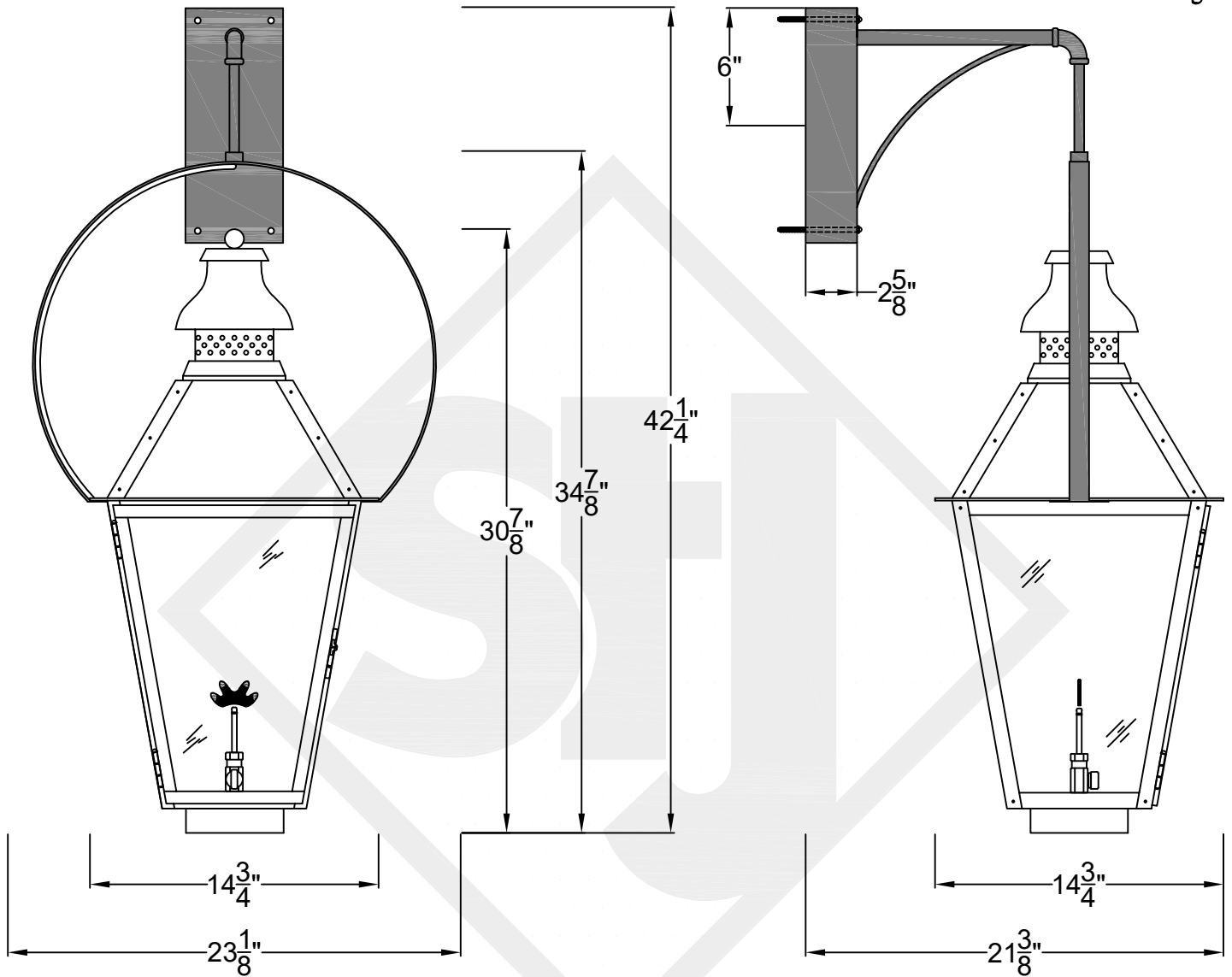
SCALE: N.T.S.	DRAFT: Y. McCullough
FILE: LOGM	APP'D: J. Ragan
JOB: X	DATE: 11/24/23

Lights are handcrafted.
Dimensions may vary by 1/4"

B.T.U. Rating
Natural Gas: 2730 B.T.U.
Propane: 2080 B.T.U.

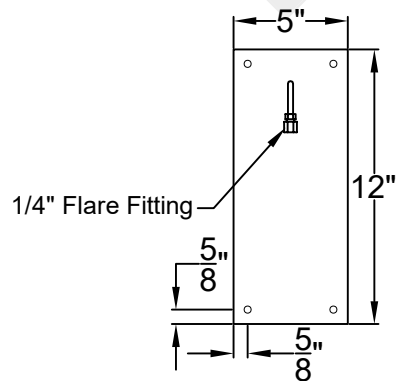
LOGAN LARGE WALL MOUNT HALF YOKE

Available w/ Solid
or Glass Top
Shortest Height $38\frac{3}{4}$ "



Front View

Side View



Backplate



St. James
LIGHTING

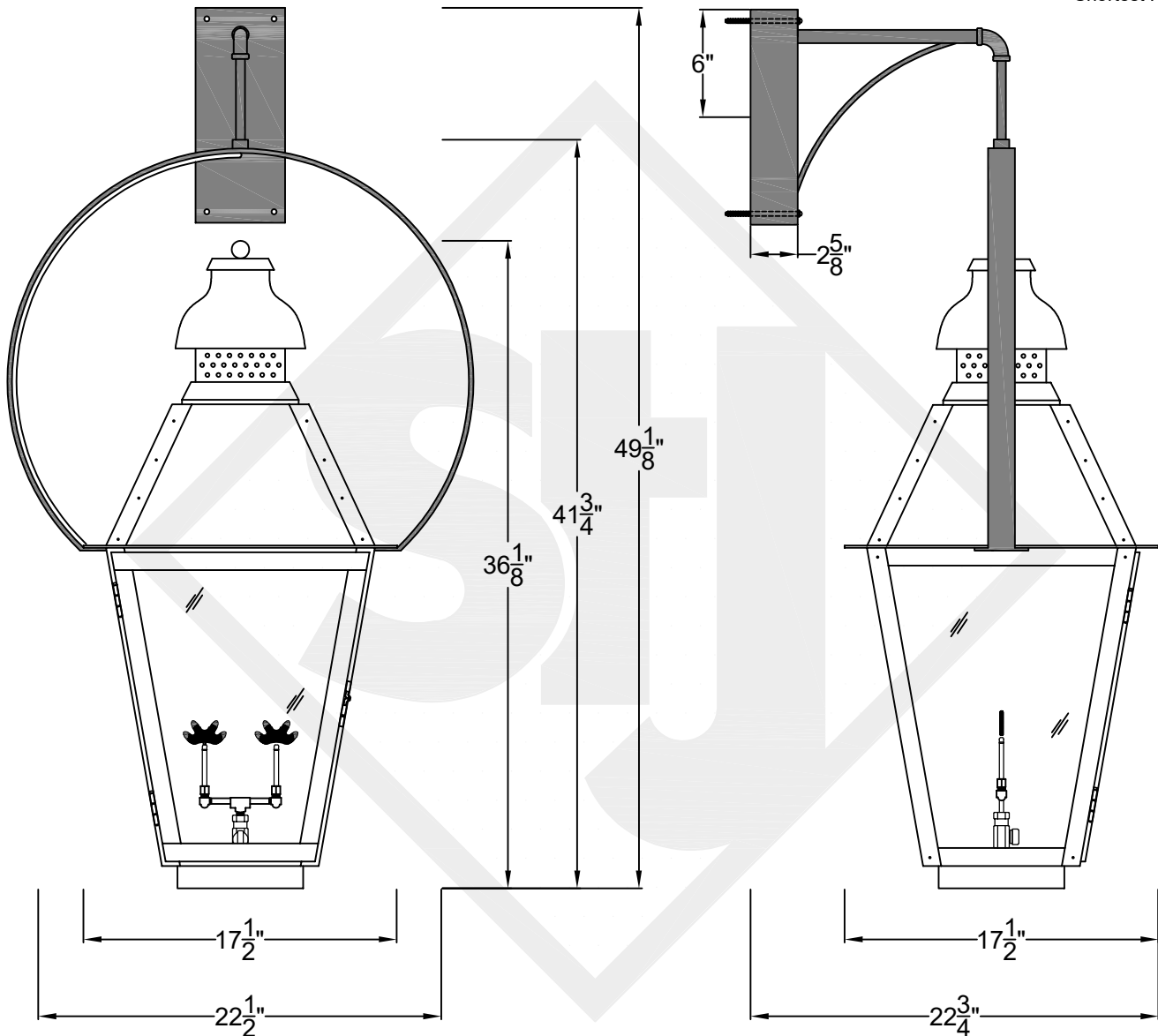
SCALE: N.T.S.	DRAFT: Y. McCullough
FILE: LOGL	APP'D: J. Ragan
JOB: X	DATE: 11/24/23

Lights are handcrafted.
Dimensions may vary by 1/4"

B.T.U. Rating
Natural Gas: 2730 B.T.U.
Propane: 2080 B.T.U.

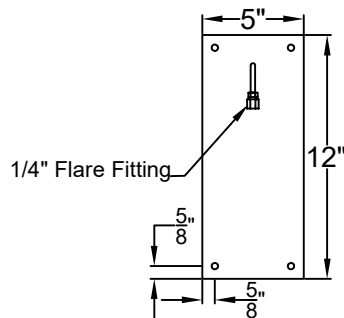
LOGAN GRANDE WALL MOUNT HALF YOKE

Available w/ Solid or
Glass Top
Shortest Height $45\frac{5}{8}"$



Front View

Side View



Backplate



St. James
LIGHTING

SCALE: N.T.S.	DRAFT: T. Herring
FILE: LOGG	APP'D: J. Ragan
JOB: X	DATE: 8-17-2023

Lights are handcrafted.
Dimensions may vary by 1/4"

B.T.U. Rating
Natural Gas: 5460 B.T.U.
Propane: 4160 B.T.U.