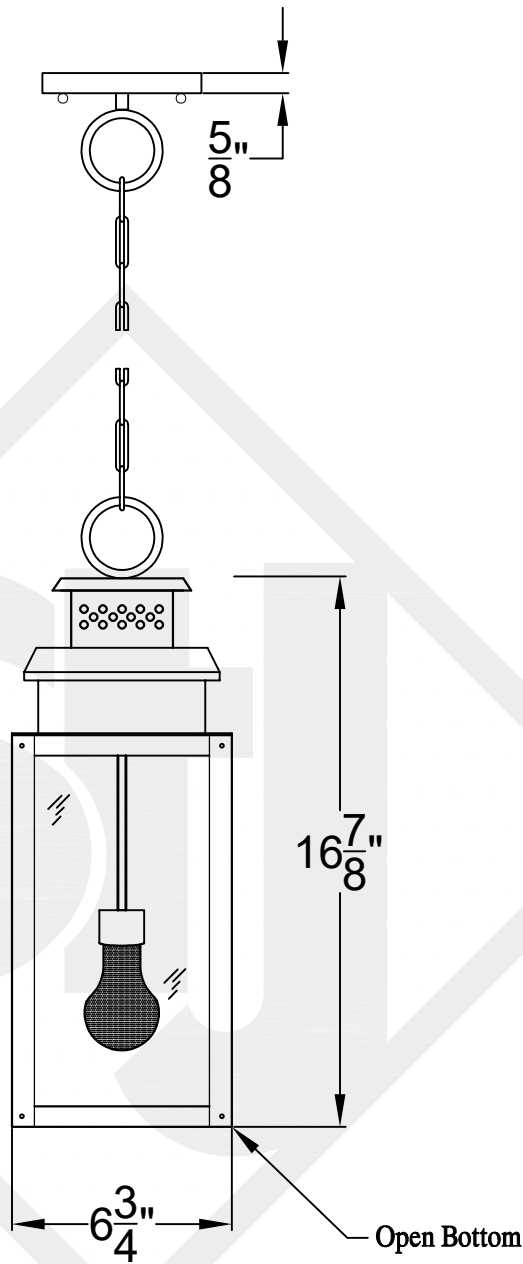
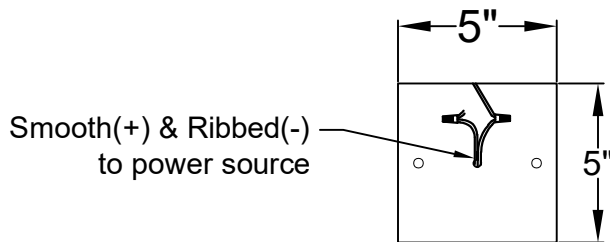


CHICAGO MINI CHAIN HUNG PENDANT

Comes Standard
w/ 6' of chain



Front View



Ceiling Mount



St. James
LIGHTING

SCALE: N.T.S.	DRAFT: T. Herring
FILE: CHIMINI	APP'D: J. Ragan
JOB: X	DATE: 3-31-2023

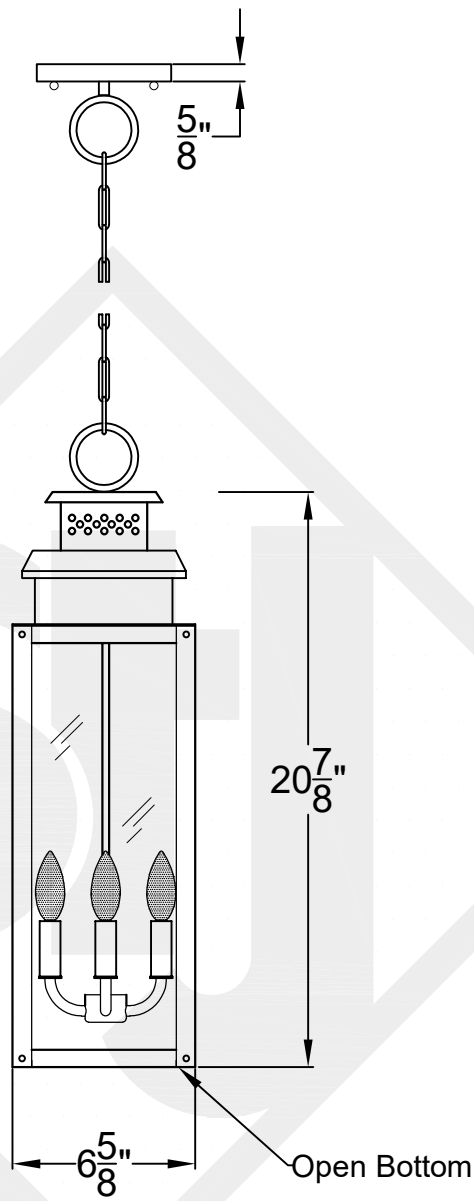
Lights are handcrafted.
Dimensions may vary by 1/4"

UL Certified
Candelabra- Max 60 Watt Bulb
Edison- Max 660 Watt Bulb

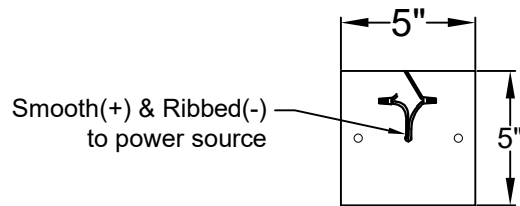
Mini not Available in Gas

CHICAGO SMALL CHAIN HUNG PENDANT

Comes Standard w/
6' of chain



Front View



Ceiling Mount



St. James
LIGHTING

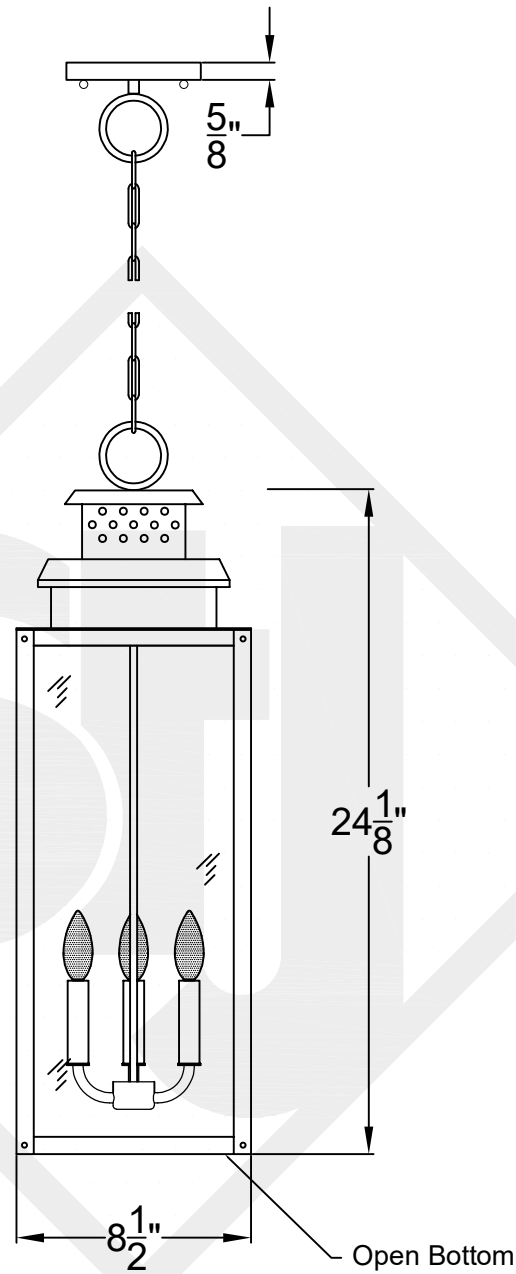
SCALE: N.T.S.	DRAFT: T. Herring
FILE: CHIM	APP'D: J. Ragan
JOB: X	DATE: 3-31-2023

Lights are handcrafted.
Dimensions may vary by 1/4"

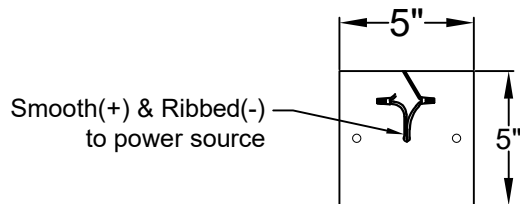
UL Certified
Candelabra- Max 60 Watt Bulb
Edison- Max 660 Watt Bulb

CHICAGO MEDIUM CHAIN HUNG PENDANT

Comes Standard w/
6' of chain



Front View



Ceiling Mount



St. James
LIGHTING

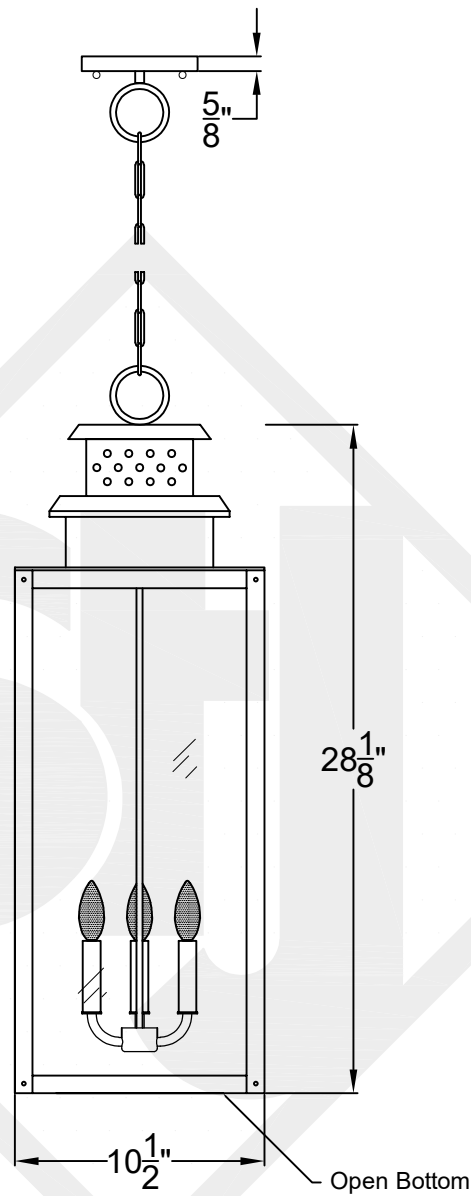
SCALE: N.T.S.	DRAFT: T. Herring
FILE: CHIS	APP'D: J. Ragan
JOB: X	DATE: 3-31-2023

Lights are handcrafted.
Dimensions may vary by 1/4"

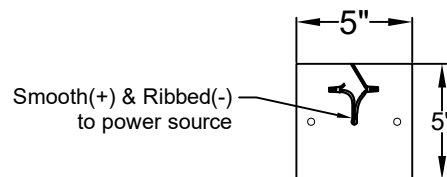
UL Certified
Candelabra- Max 60 Watt Bulb
Edison- Max 660 Watt Bulb

CHICAGO LARGE CHAIN HUNG PENDANT

Comes Standard
w/ 6' of chain



Front View



Ceiling Mount



St. James
LIGHTING

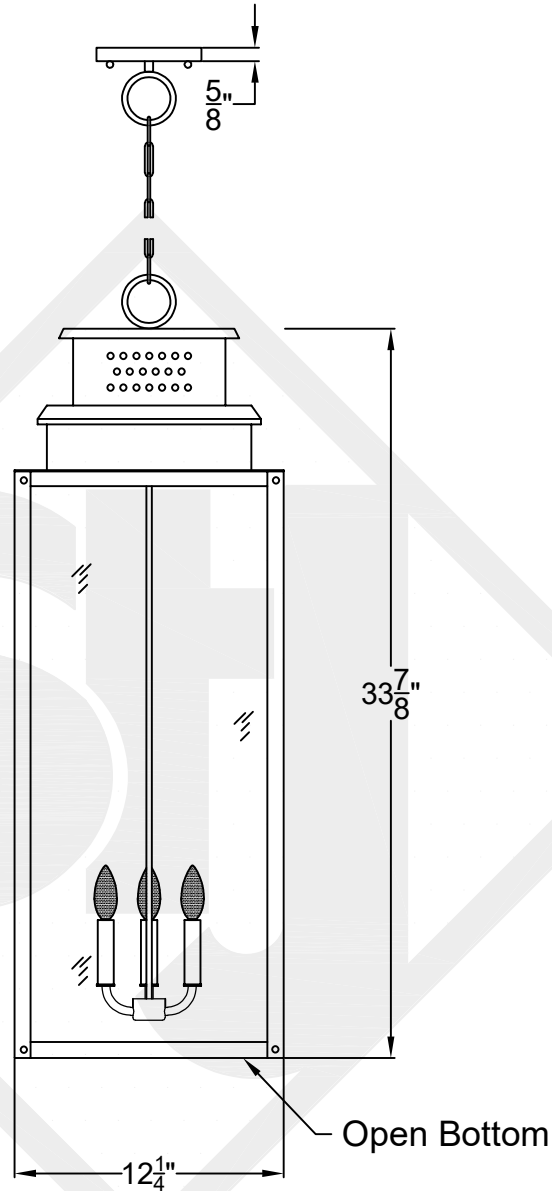
SCALE: N.T.S.	DRAFT: T. Herring
FILE: CHIL	APP'D: J. Ragan
JOB: X	DATE: 3-31-2023

Lights are handcrafted.
Dimensions may vary by 1/4"

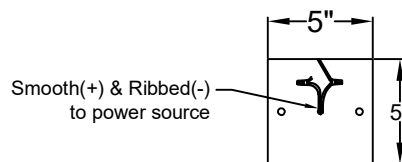
B.T.U. Rating
Natural Gas: 2730 B.T.U.
Propane: 2080 B.T.U.

CHICAGO GRANDE CHAIN HUNG PENDANT

Comes standard
w/ 6' of chain



Front View



Ceiling Mount



St. James
LIGHTING

SCALE: N.T.S.	DRAFT: Y. McCullough
FILE: CHIG	APP'D: J. Ragan
JOB: X	DATE: 11/18/23

Lights are handcrafted.
Dimensions may vary by 1/4"

UL Certified
Candelabra- Max 60 Watt Bulb
Edison- Max 660 Watt Bulb