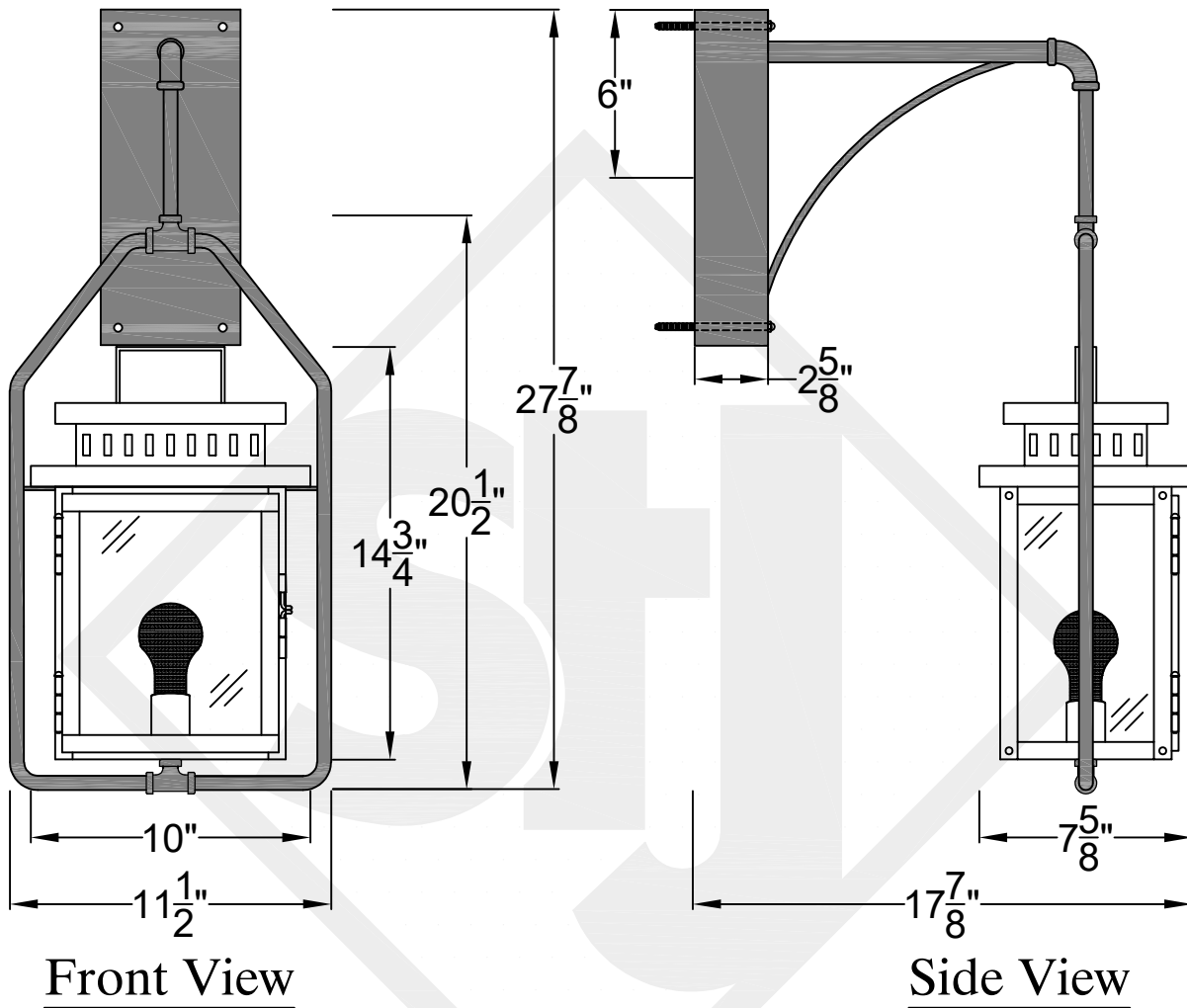


HARPER MINI WALL MOUNT FULL YOKE

Shortest Height: 21 $\frac{1}{2}$ "



Front View

Side View

Backplate



St. James
LIGHTING

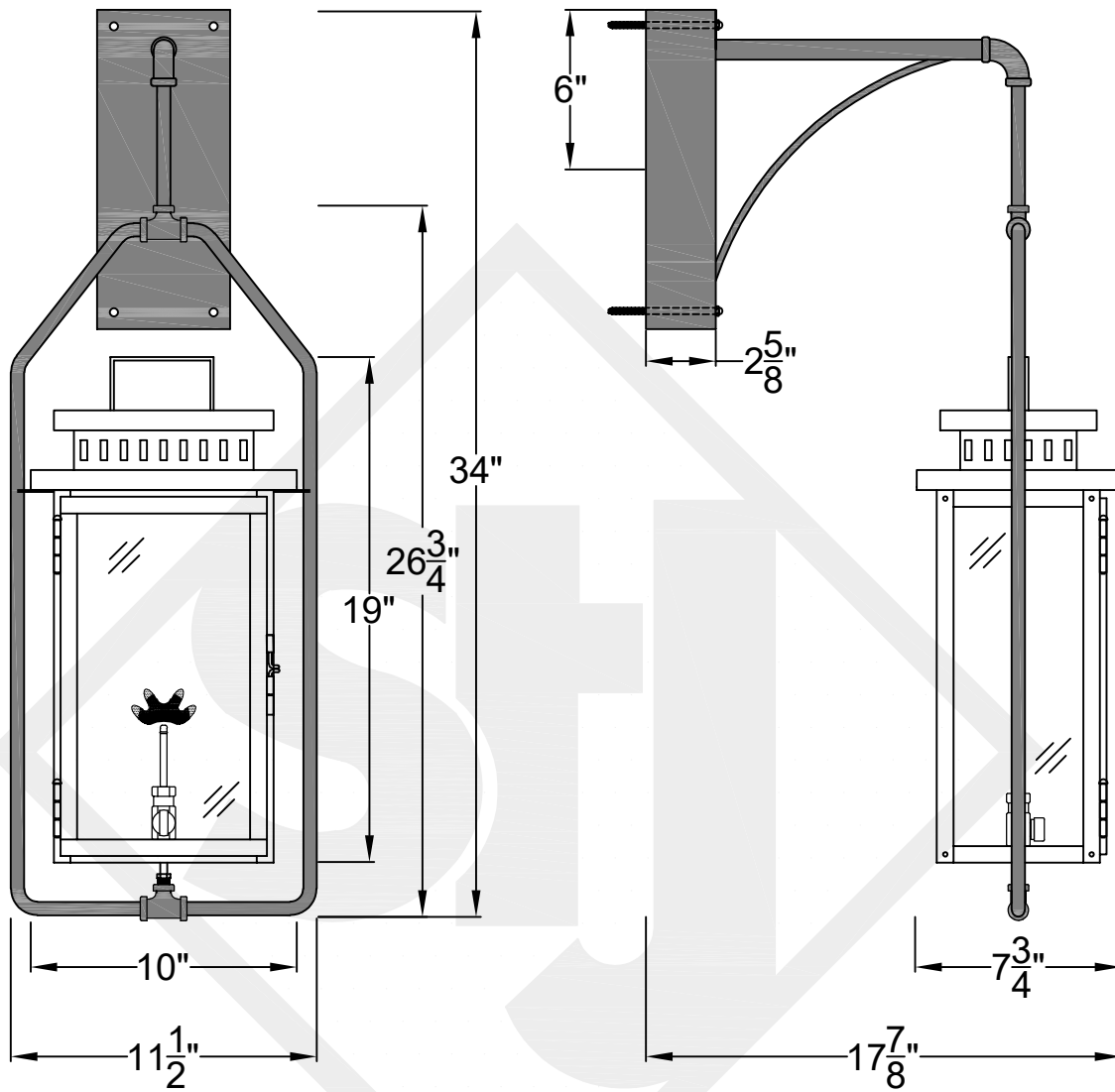
SCALE: N.T.S.	DRAFT: Y. McCullough
FILE: HARMINI	APP'D: J. Ragan
JOB: X	DATE: 12/11/23

Lights are handcrafted.
Dimensions may vary by 1/4"

UL Certified
Candelabra- Max 60 Watt Bulb
Edison- Max 660 Watt Bulb

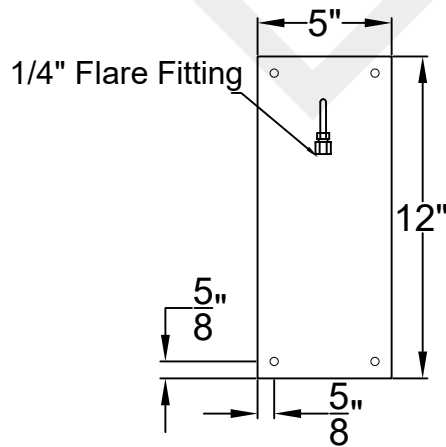
HARPER SMALL WALL MOUNT FULL YOKE

Shortest Height 30 $\frac{5}{8}$ "



Front View

Side View



Backplate



St. James
LIGHTING

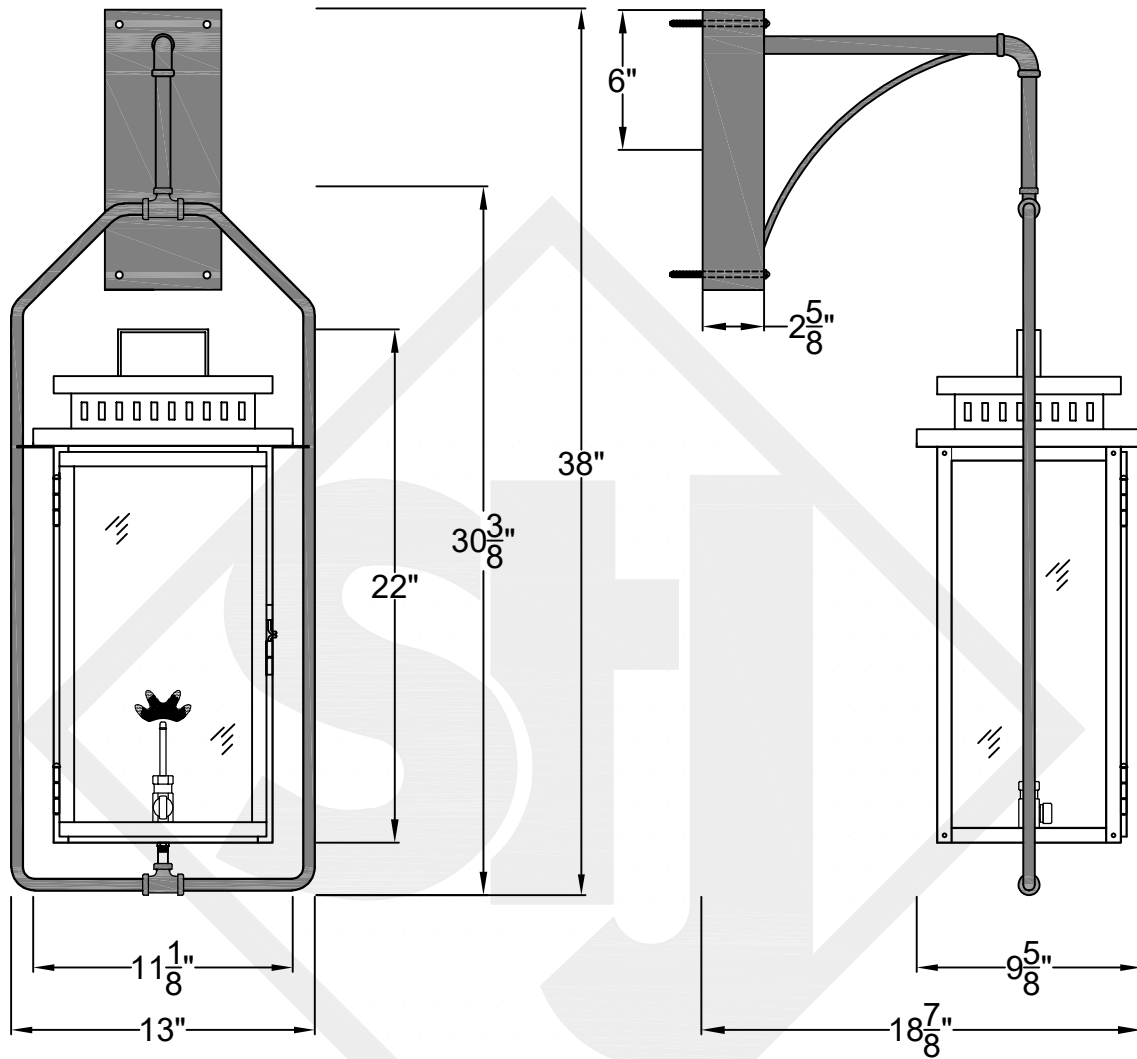
SCALE: N.T.S.	DRAFT: T. Herring
FILE: HARS	APP'D: J. Ragan
JOB: X	DATE: 7-27-2023

Lights are handcrafted.
Dimensions may vary by 1/4"

B.T.U. Rating
Natural Gas: 2730 B.T.U.
Propane: 2080 B.T.U.

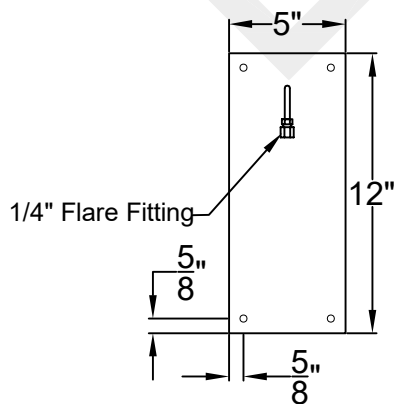
HARPER MEDIUM WALL MOUNT FULL YOKE

Shortest Height 34 $\frac{1}{4}$ "



Front View

Side View



Backplate



St. James
LIGHTING

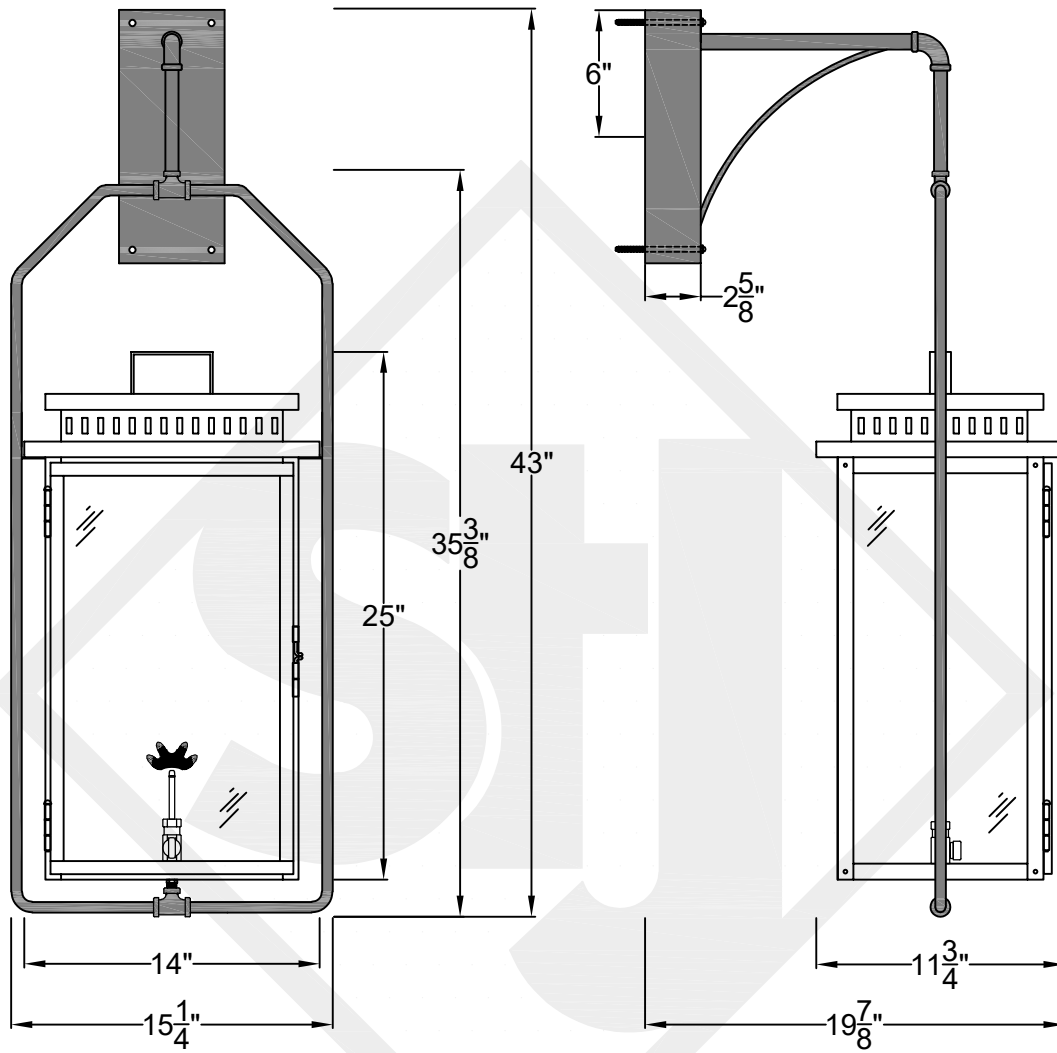
SCALE: N.T.S.	DRAFT: Y. McCullough
FILE: HARM	APP'D: J. Ragan
JOB: X	DATE: 12/11/23

Lights are handcrafted.
Dimensions may vary by 1/4"

B.T.U. Rating
Natural Gas: 2730 B.T.U.
Propane: 2080 B.T.U.

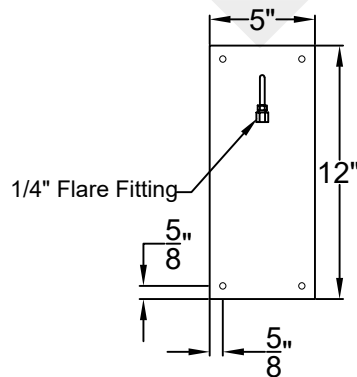
HARPER LARGE WALL MOUNT FULLYOKE

Shortest Height 39 ¹/₄"



Front View

Side View



Backplate



St. James
LIGHTING

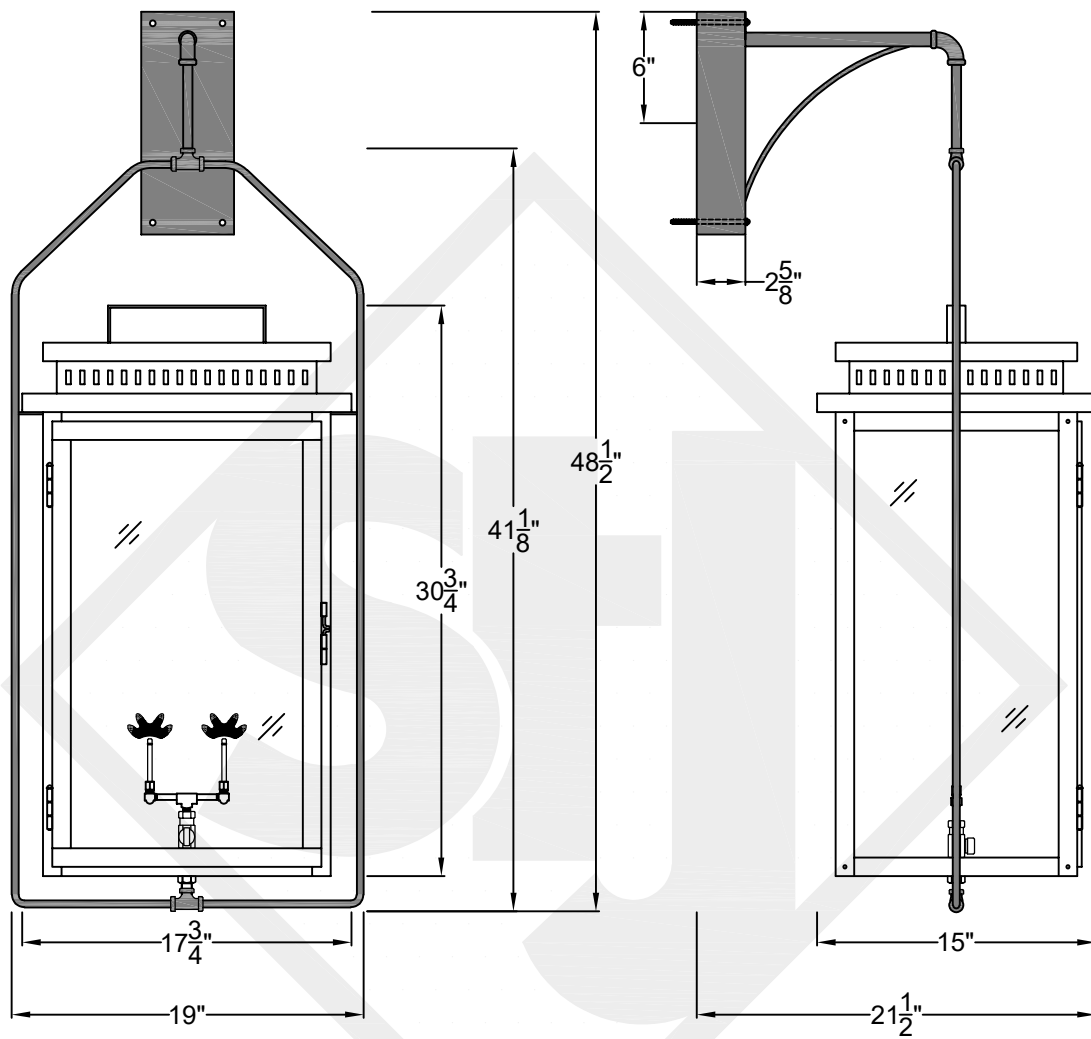
SCALE: N.T.S.	DRAFT: T. Herring
FILE: HARL	APP'D: J. Ragan
JOB: X	DATE: 7-28-2023

Lights are handcrafted.
Dimensions may vary by 1/4"

B.T.U. Rating
Natural Gas: 2730 B.T.U.
Propane: 2080 B.T.U.

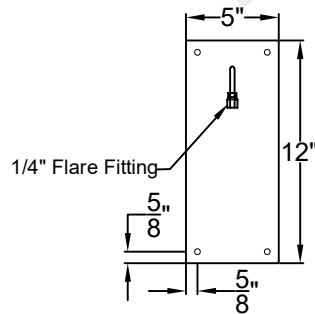
HARPER GRANDE WALL MOUNT FULL YOKE

Shortest Height 45"



Front View

Side View



Backplate



St. James
LIGHTING

SCALE: N.T.S.	DRAFT: Y. McCullough
FILE: HARG	APP'D: J. Ragan
JOB: X	DATE: 12/11/23

Lights are handcrafted.
Dimensions may vary by 1/4"

B.T.U. Rating
Natural Gas: 5460 B.T.U.
Propane: 4160 B.T.U.