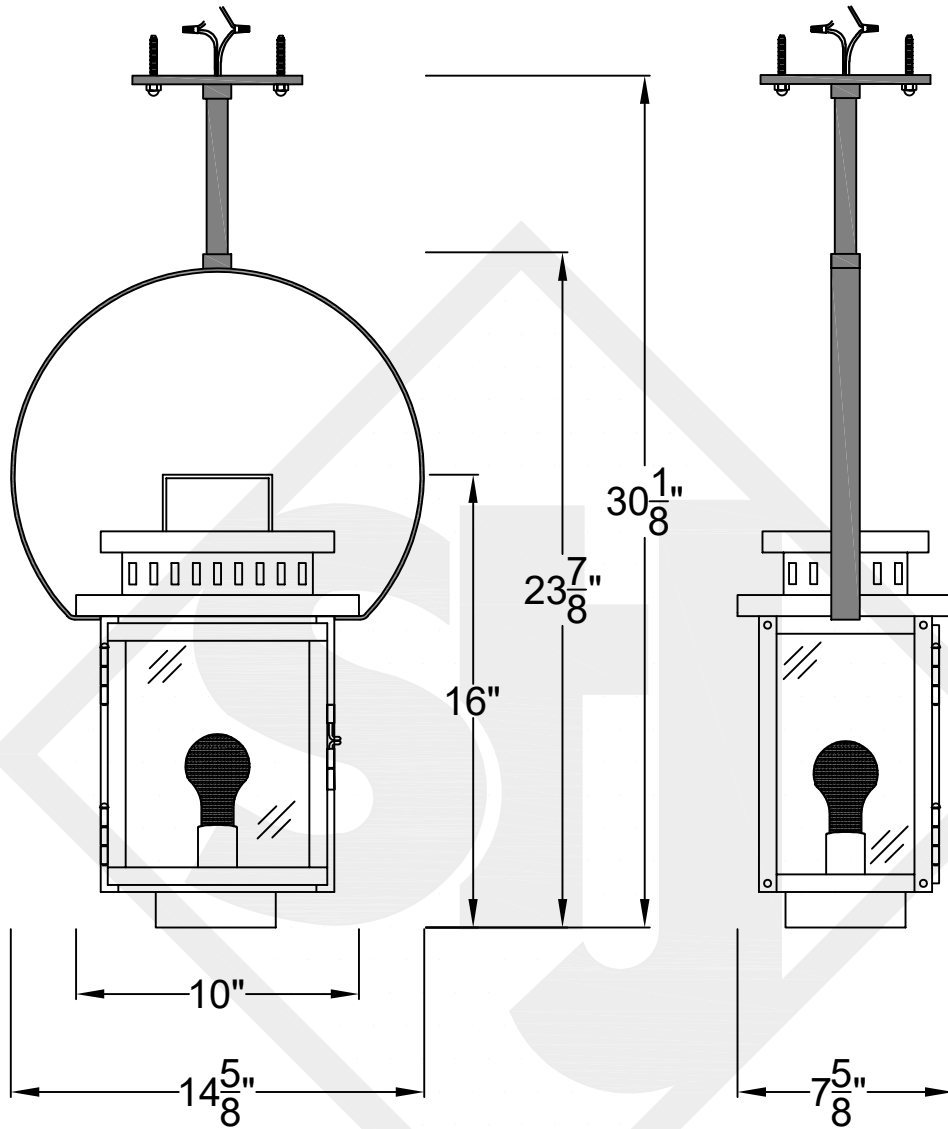


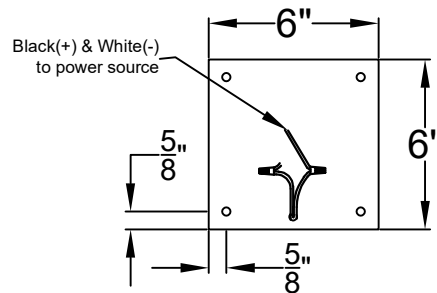
HARPER MINI CEILING MOUNT HALF YOKE

Shortest Height: 24 $\frac{3}{4}$ "



Front View

Side View



Ceiling Mount



St. James
LIGHTING

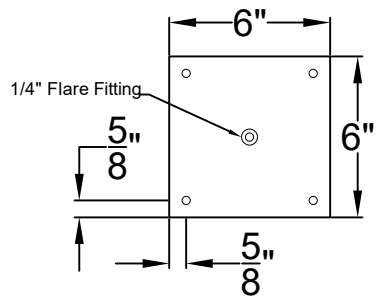
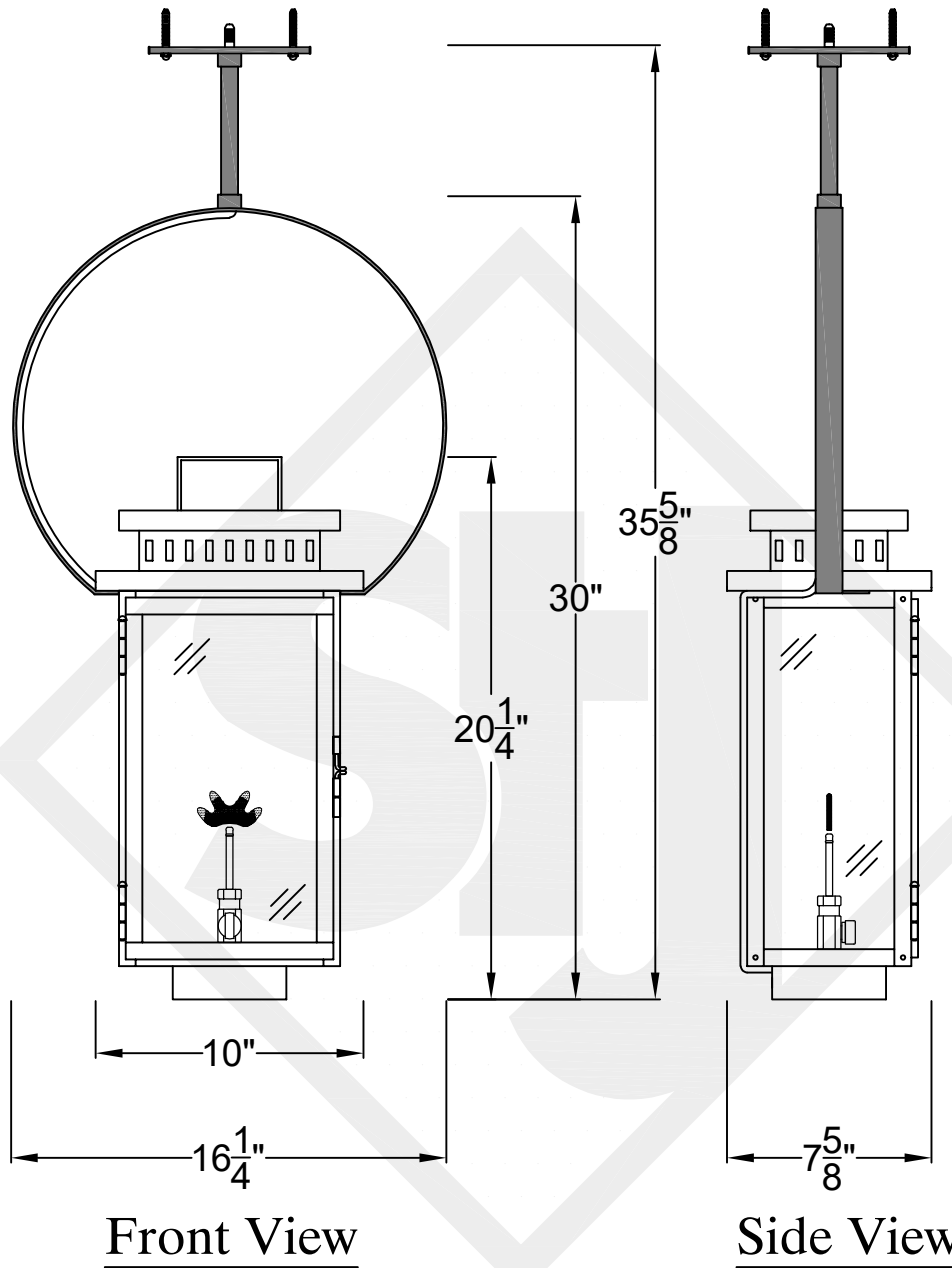
SCALE: N.T.S.	DRAFT: Y. McCullough
FILE: HARMINI	APP'D: J. Ragan
JOB: X	DATE: 12/11/23

Lights are handcrafted.
Dimensions may vary by 1/4"

UL Certified
Candelabra- Max 60 Watt Bulb
Edison- Max 660 Watt Bulb

HARPER SMALL CEILING MOUNT HALF YOKE

Shortest Height 31 $\frac{3}{4}$ "



Ceiling Mount



**St. James
LIGHTING**

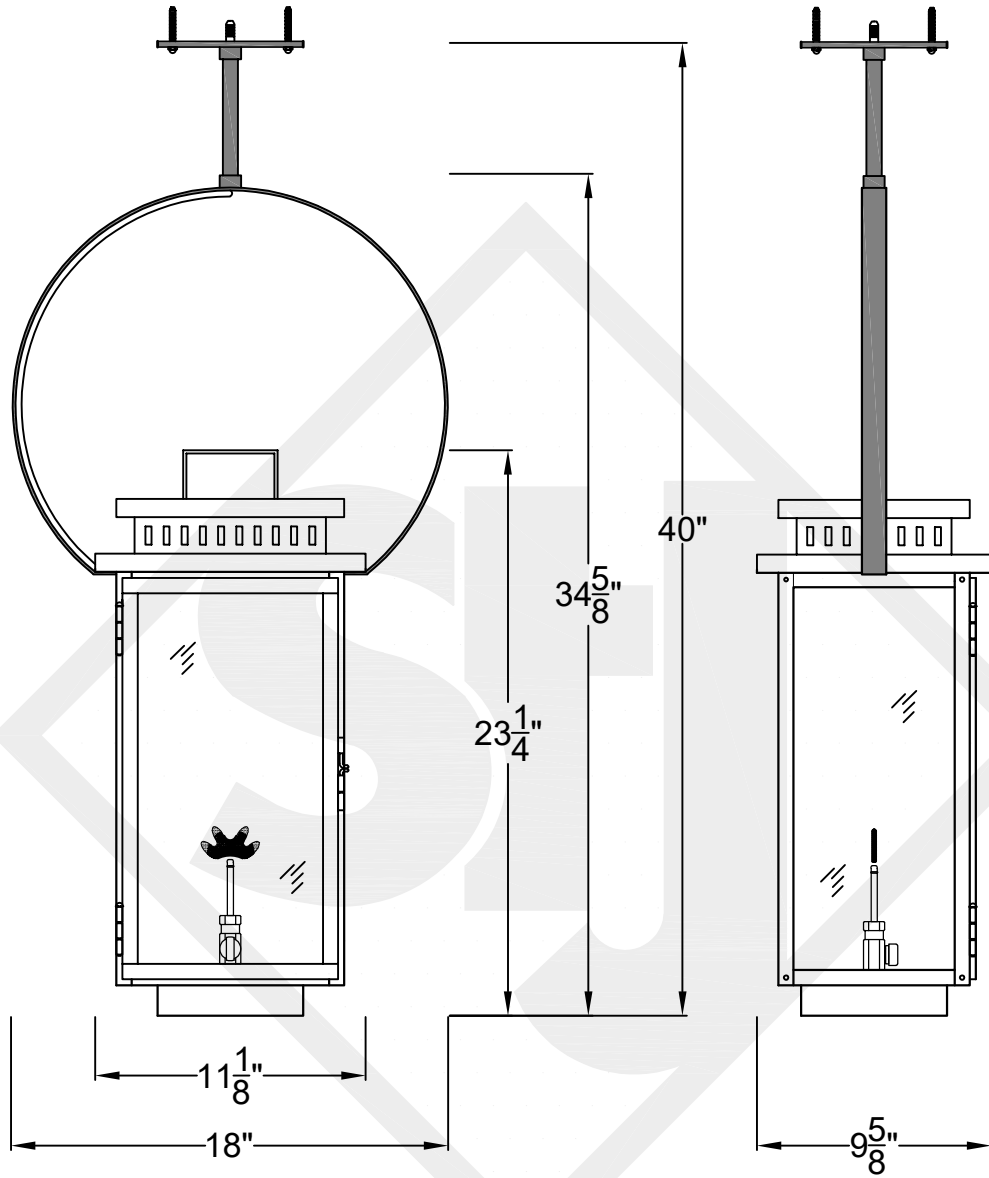
SCALE: N.T.S.	DRAFT: T. Herring
FILE: HARS	APP'D: J. Ragan
JOB: X	DATE: 7-27-2023

Lights are handcrafted.
Dimensions may vary by 1/4"

B.T.U. Rating
Natural Gas: 2730 B.T.U.
Propane: 2080 B.T.U.

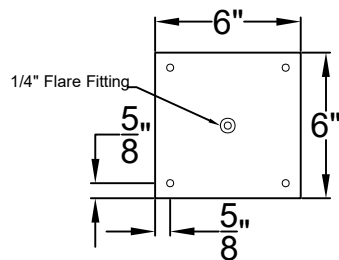
HARPER MEDIUM CEILING MOUNT HALF YOKE

Shortest Height $36\frac{3}{8}"$



Front View

Side View



Ceiling Mount



St. James
LIGHTING

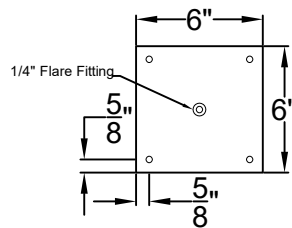
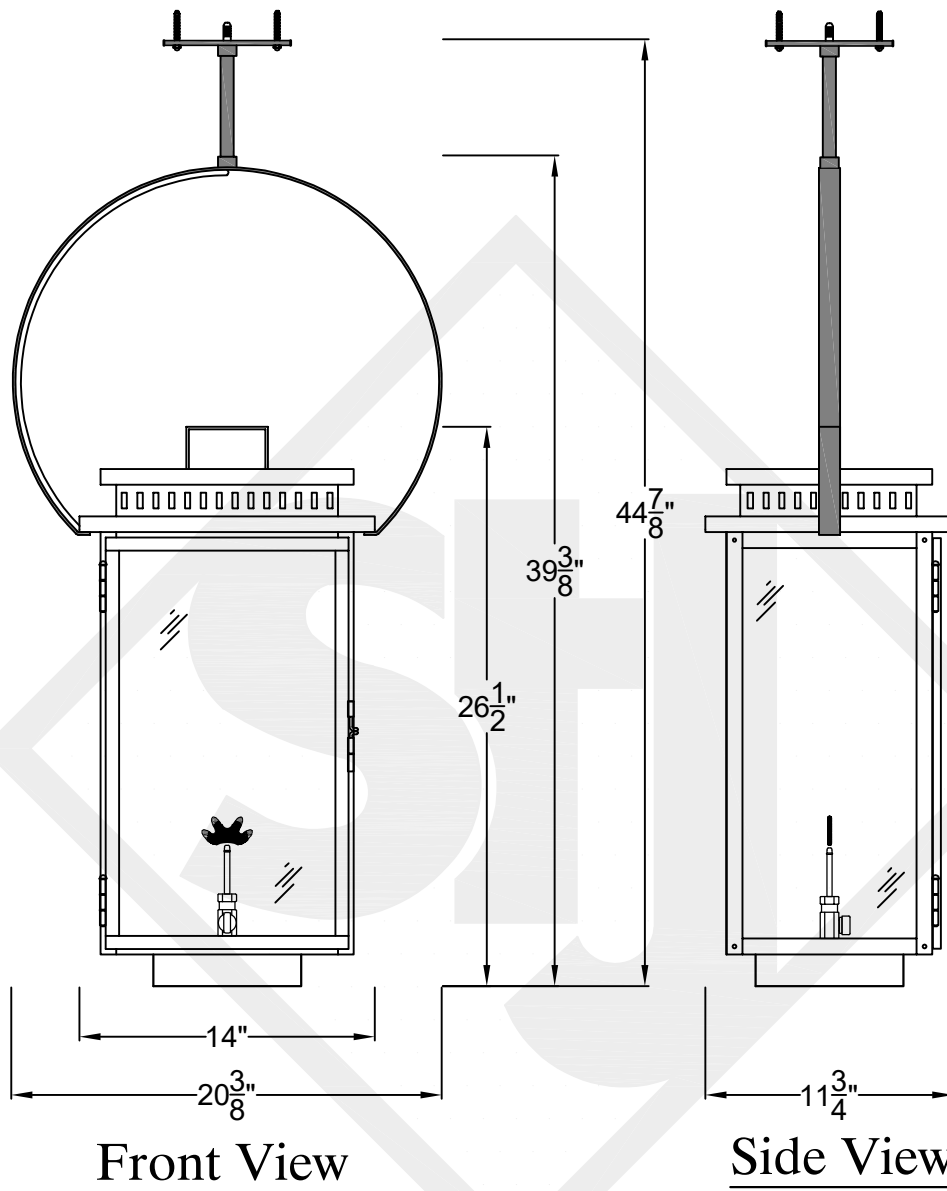
SCALE: N.T.S.	DRAFT: Y. McCullough
FILE: HARM	APP'D: J. Ragan
JOB: X	DATE: 12/11/23

Lights are handcrafted.
Dimensions may vary by 1/4"

B.T.U. Rating
Natural Gas: 2730 B.T.U.
Propane: 2080 B.T.U.

HARPER LARGE CEILING MOUNT HALF YOKE

Shortest Height 41"



Ceiling Mount



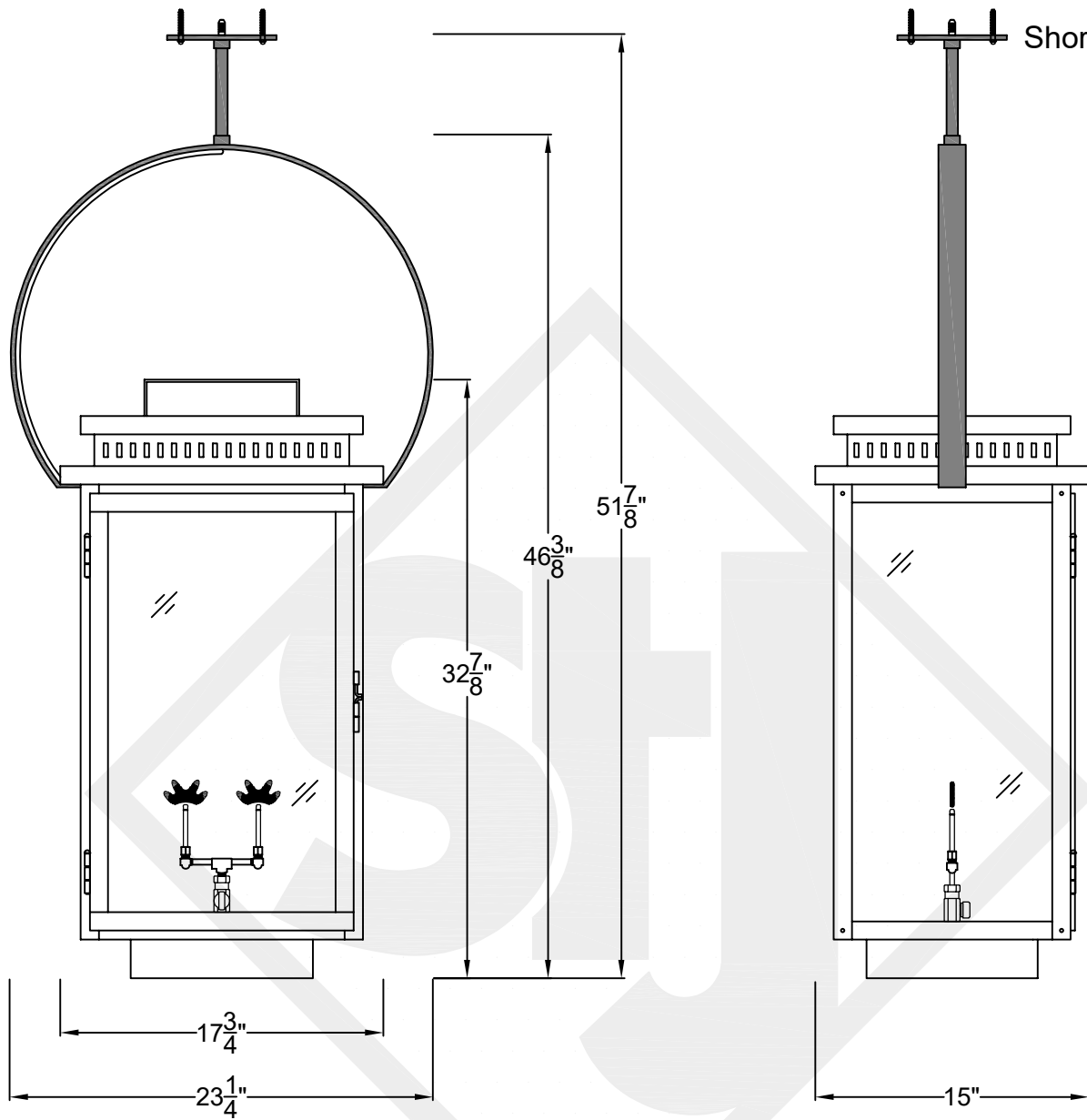
**St. James
LIGHTING**

SCALE: N.T.S.	DRAFT: Y. McCullough
FILE: HARL	APP'D: J. Ragan
JOB: X	DATE: 12/11/23

Lights are handcrafted.
Dimensions may vary by 1/4"

B.T.U. Rating
Natural Gas: 2730 B.T.U.
Propane: 2080 B.T.U.

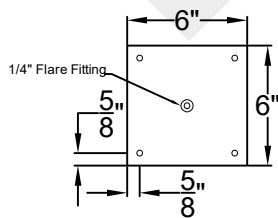
HARPER GRANDE CEILING MOUNT HALF YOKE



Shortest Height 48"

Front View

Side View



Ceiling Mount



St. James
LIGHTING

SCALE: N.T.S.	DRAFT: Y. McCullough
FILE: HARG	APP'D: J. Ragan
JOB: X	DATE: 12/11/23

Lights are handcrafted.
Dimensions may vary by 1/4"

B.T.U. Rating
Natural Gas: 5460 B.T.U.
Propane: 4160 B.T.U.