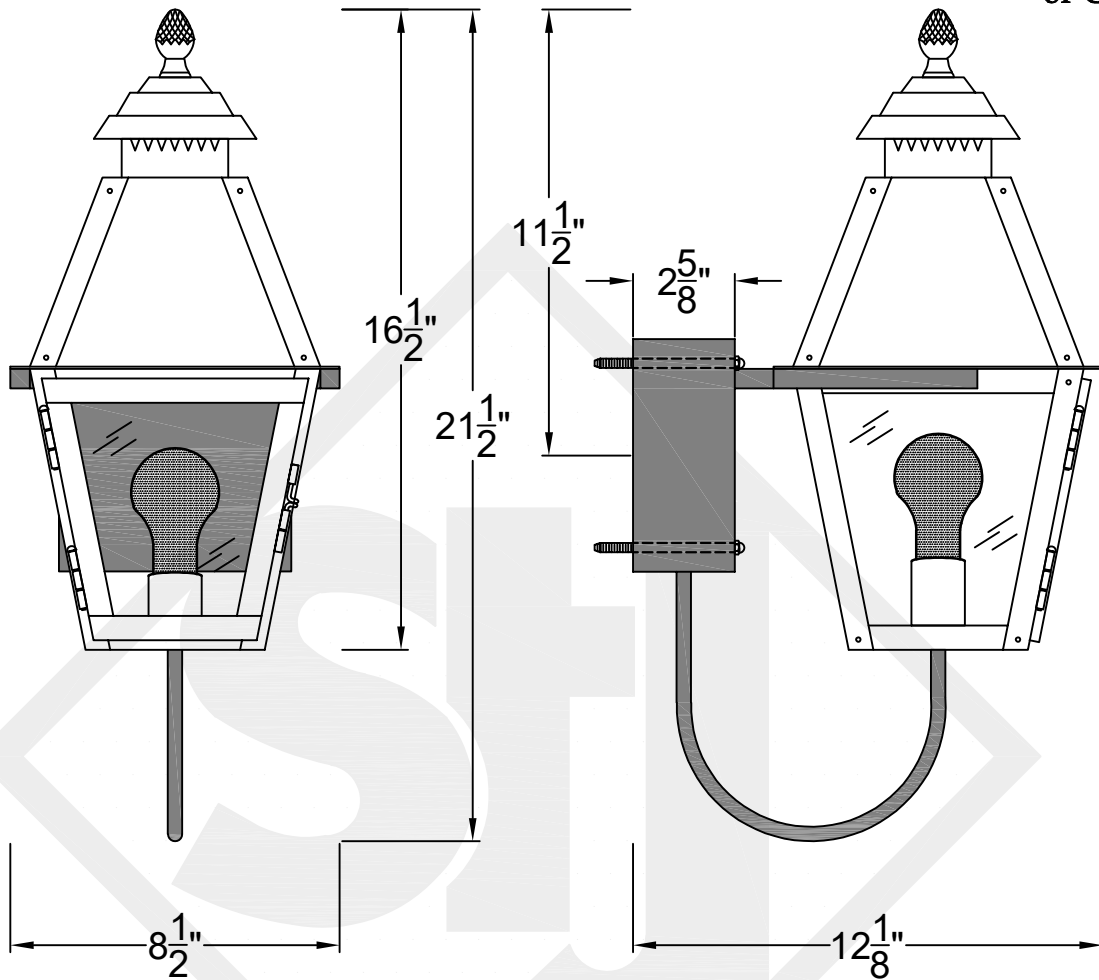


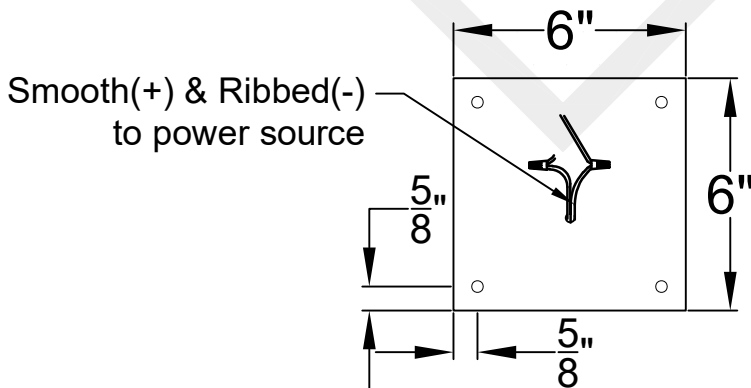
# NATCHEZ MINI STEEL WALL MOUNT

Available w/ Solid  
or Glass Top



Front View

Side View



Backplate



St. James  
LIGHTING

SCALE: N.T.S.	DRAFT: T. Herring
FILE: NATMINI	APP'D: J. Ragan
JOB: X	DATE: 5-1-2023

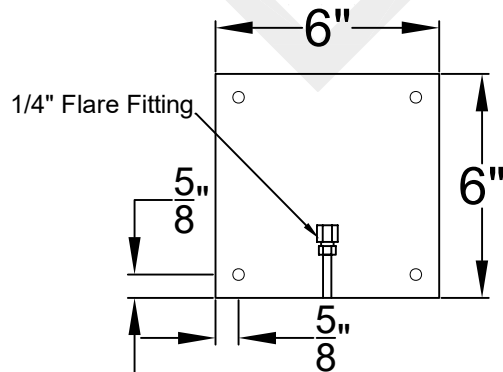
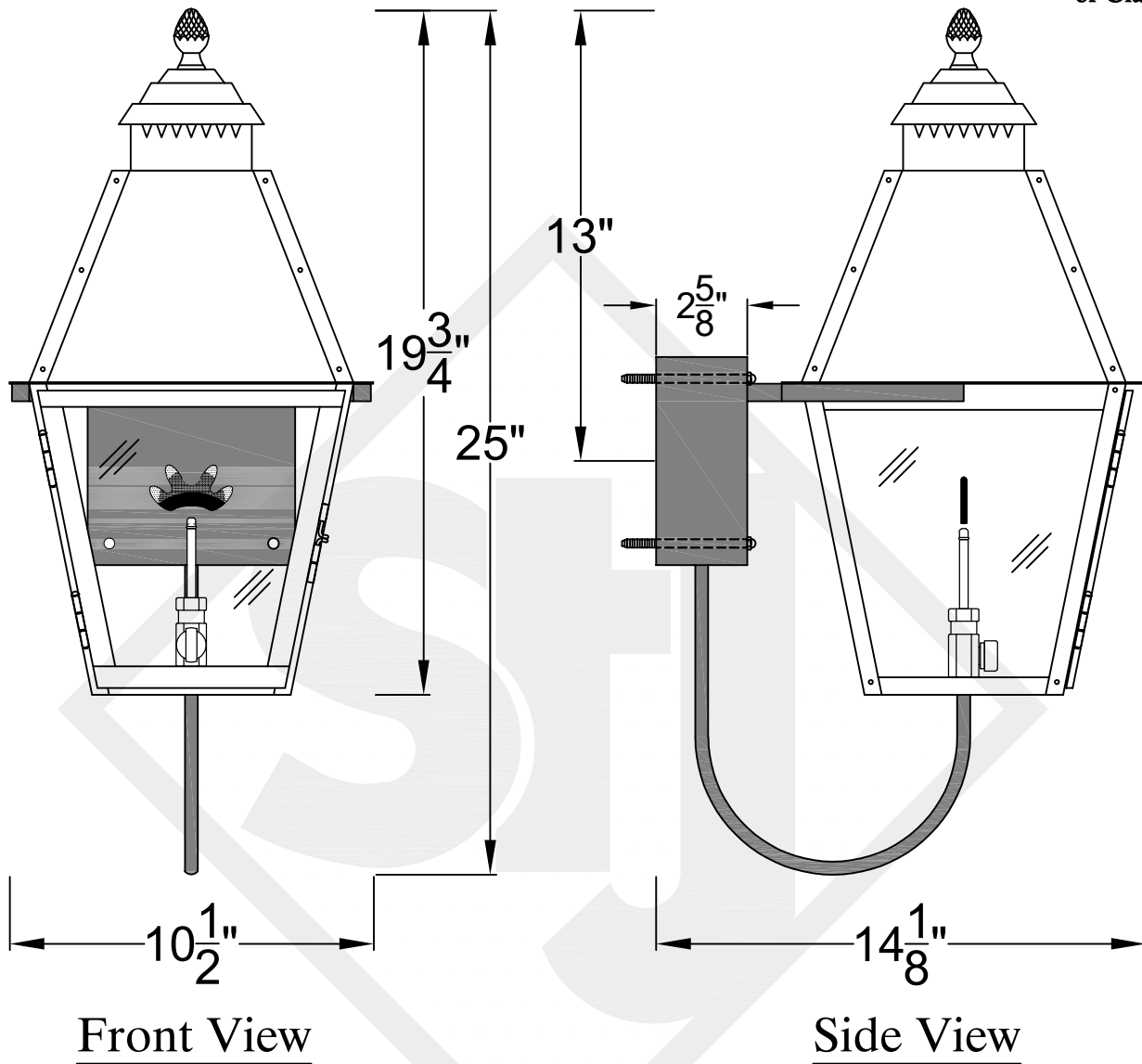
Lights are handcrafted.  
Dimensions may vary by 1/4"

**Mini not available in gas**

UL Certified  
Candelabra- Max 60 Watt Bulb  
Edison- Max 660 Watt Bulb

# NATCHEZ SMALL STEEL WALL MOUNT

Available w/ Solid  
or Glass Top



**St. James  
LIGHTING**

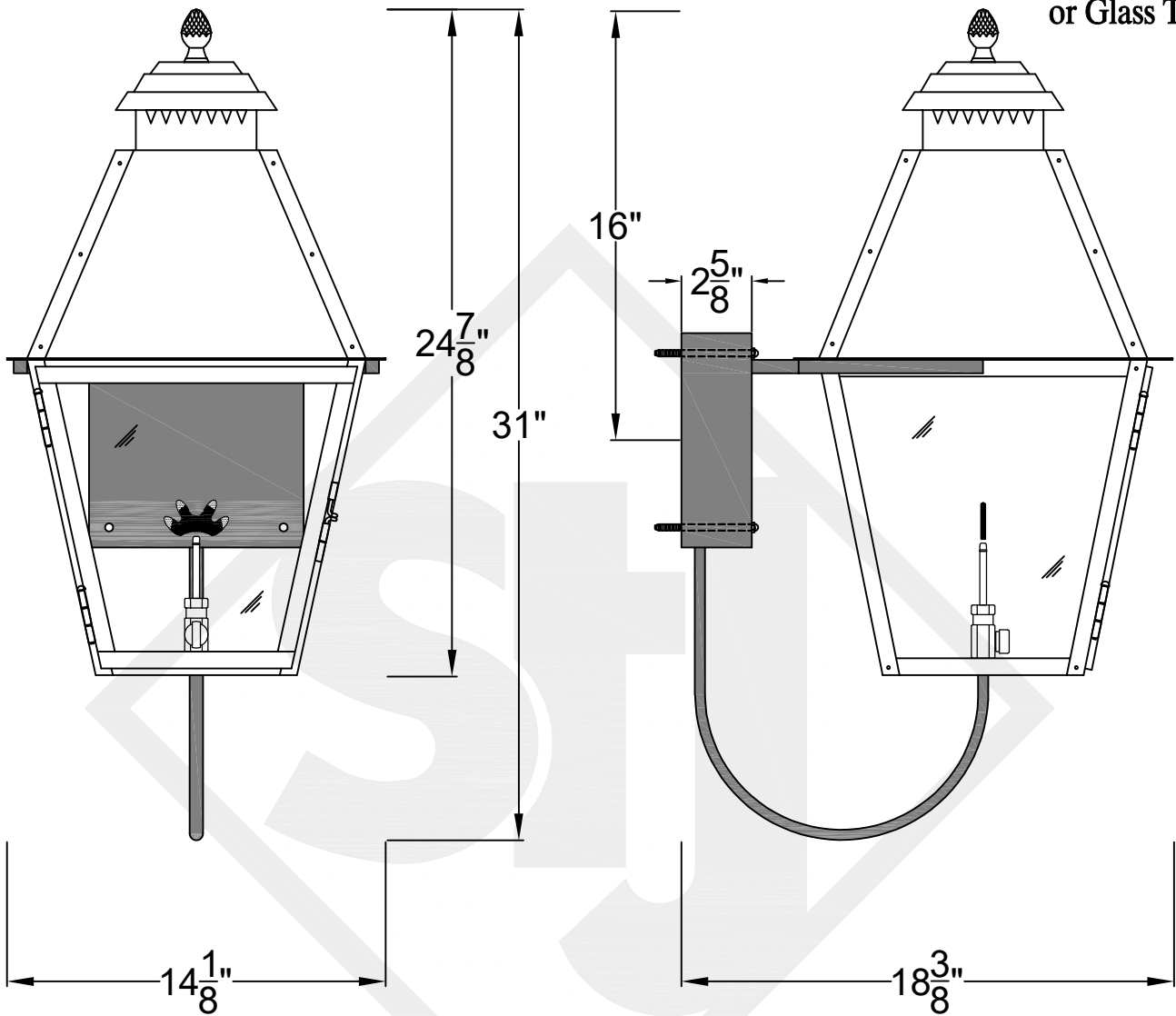
SCALE: N.T.S.	DRAFT: Y. McCullough
FILE: NATS	APP'D: J. Ragan
JOB: X	DATE: 11/20/23

Lights are handcrafted.  
Dimensions may vary by 1/4"

B.T.U. Rating  
Natural Gas: 2730 B.T.U.  
Propane: 2080 B.T.U.

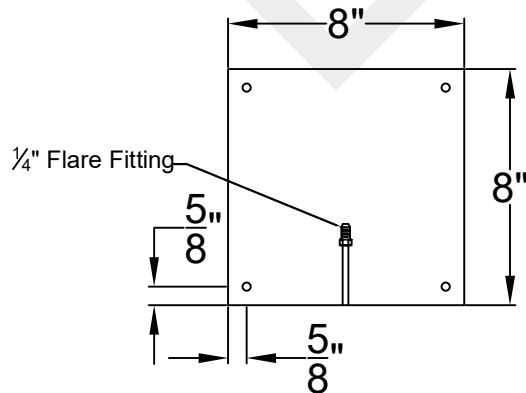
# NATCHEZ MEDIUM STEEL WALL MOUNT

Available w/ Solid  
or Glass Top



Front View

Side View



Backplate



St. James  
LIGHTING

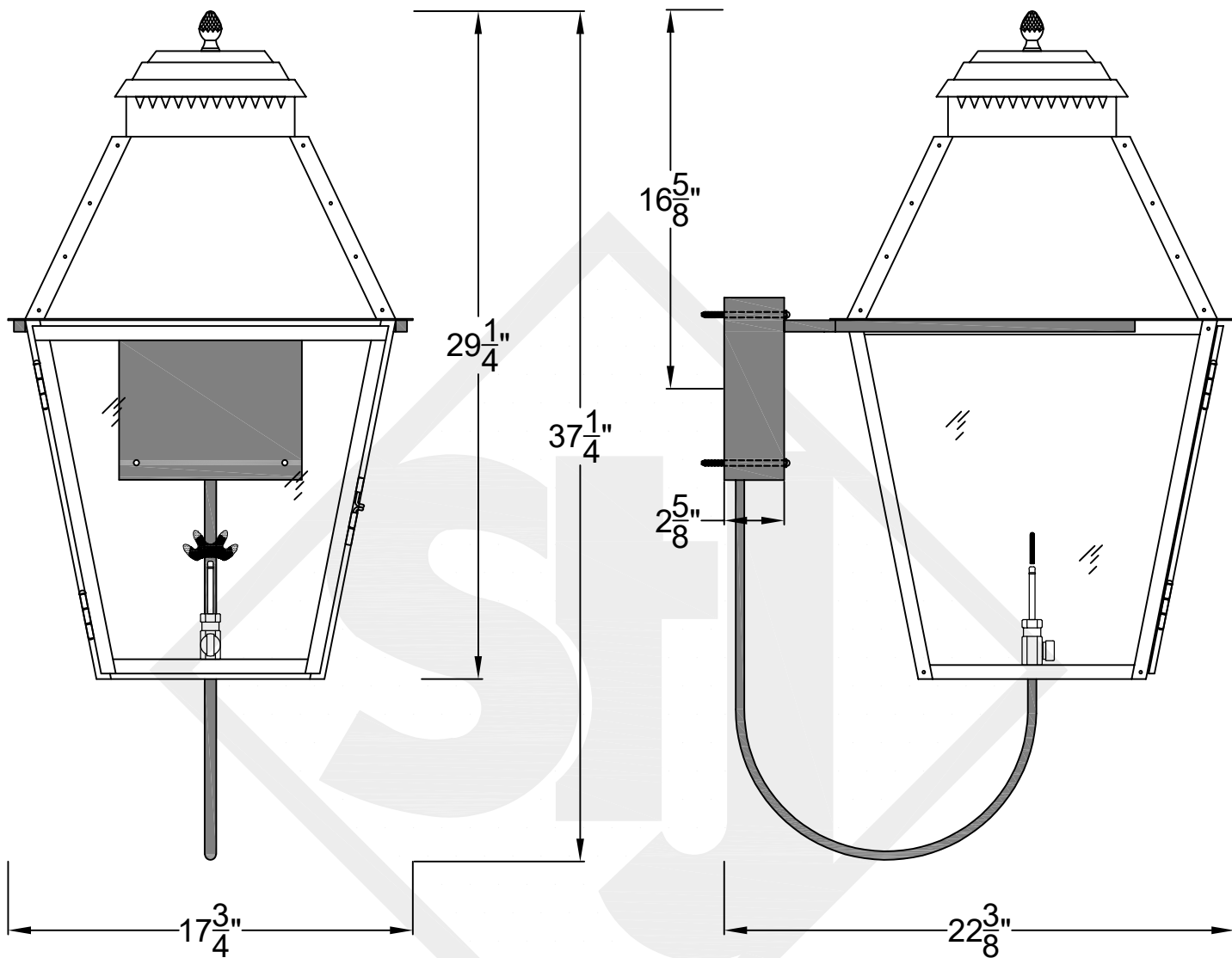
SCALE: N.T.S.	DRAFT: Y. McCullough
FILE: NATM	APP'D: J. Ragan
JOB: X	DATE: 11/20/23

Lights are handcrafted.  
Dimensions may vary by 1/4"

B.T.U. Rating  
Natural Gas: 2730 B.T.U.  
Propane: 2080 B.T.U.

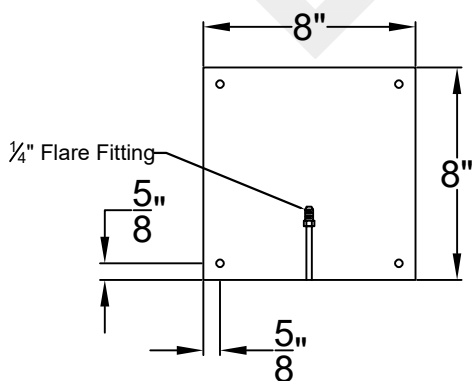
# NATCHEZ LARGE STEEL WALL MOUNT

Available w/ Solid  
or Glass Top



Front View

Side View



Backplate



St. James  
LIGHTING

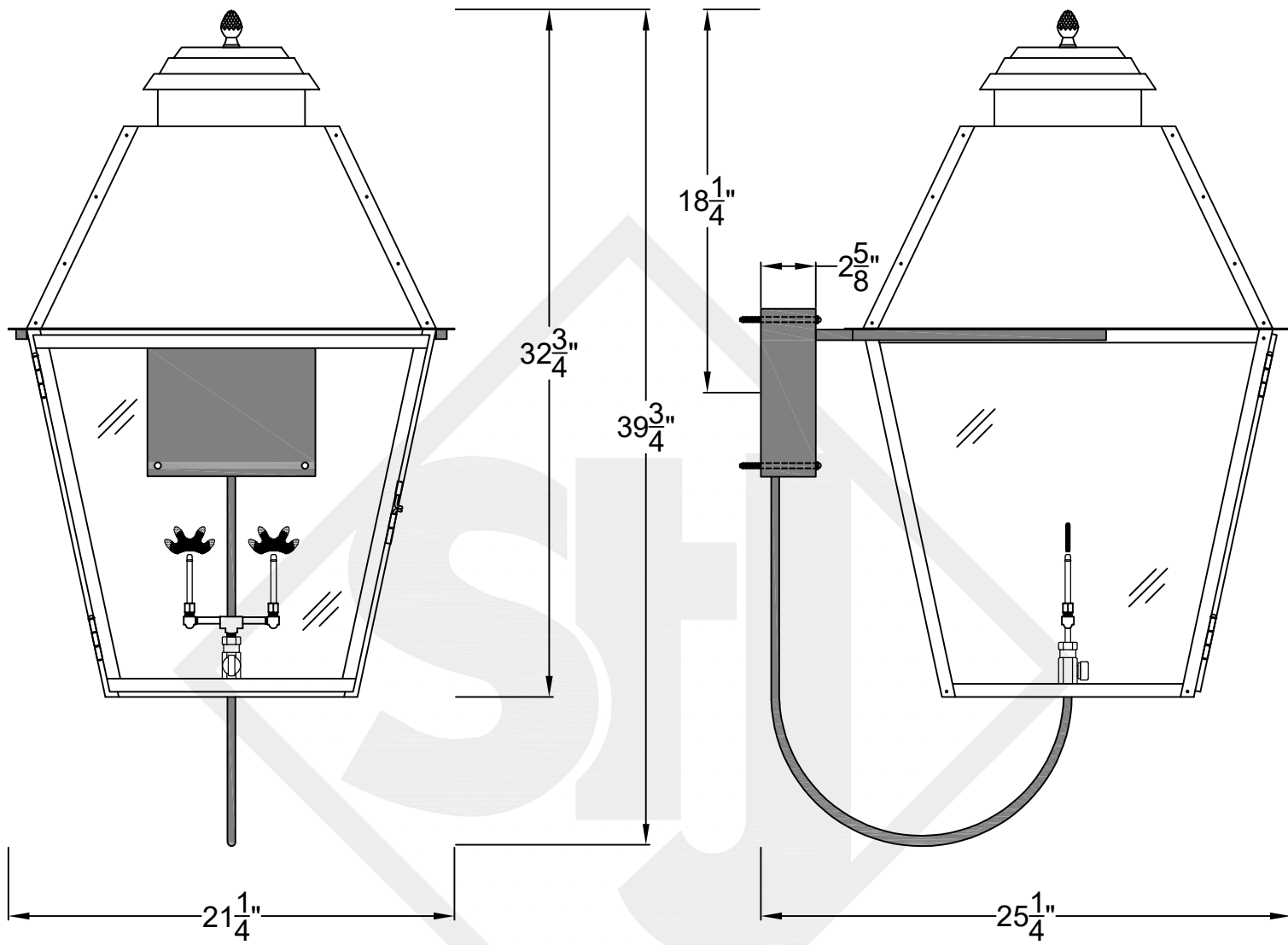
SCALE: N.T.S.	DRAFT: Y. McCullough
FILE: NATL	APP'D: J. Ragan
JOB: X	DATE: 11/20/23

Lights are handcrafted.  
Dimensions may vary by 1/4"

B.T.U. Rating  
Natural Gas: 5460 B.T.U.  
Propane: 4160 B.T.U.

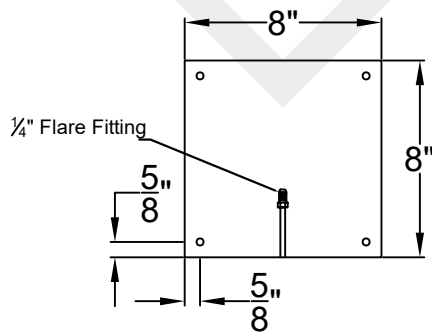
# NATCHEZ GRANDE STEEL WALL MOUNT

Available w/ Solid  
or Glass Top



Front View

Side View



Backplate



St. James  
LIGHTING

SCALE: N.T.S.	DRAFT: Y. McCullough
FILE: NATG	APP'D: J. Ragan
JOB: X	DATE: 11/20/23

Lights are handcrafted.  
Dimensions may vary by 1/4"

B.T.U. Rating  
 Natural Gas: 5460 B.T.U.  
 Propane: 4160 B.T.U.