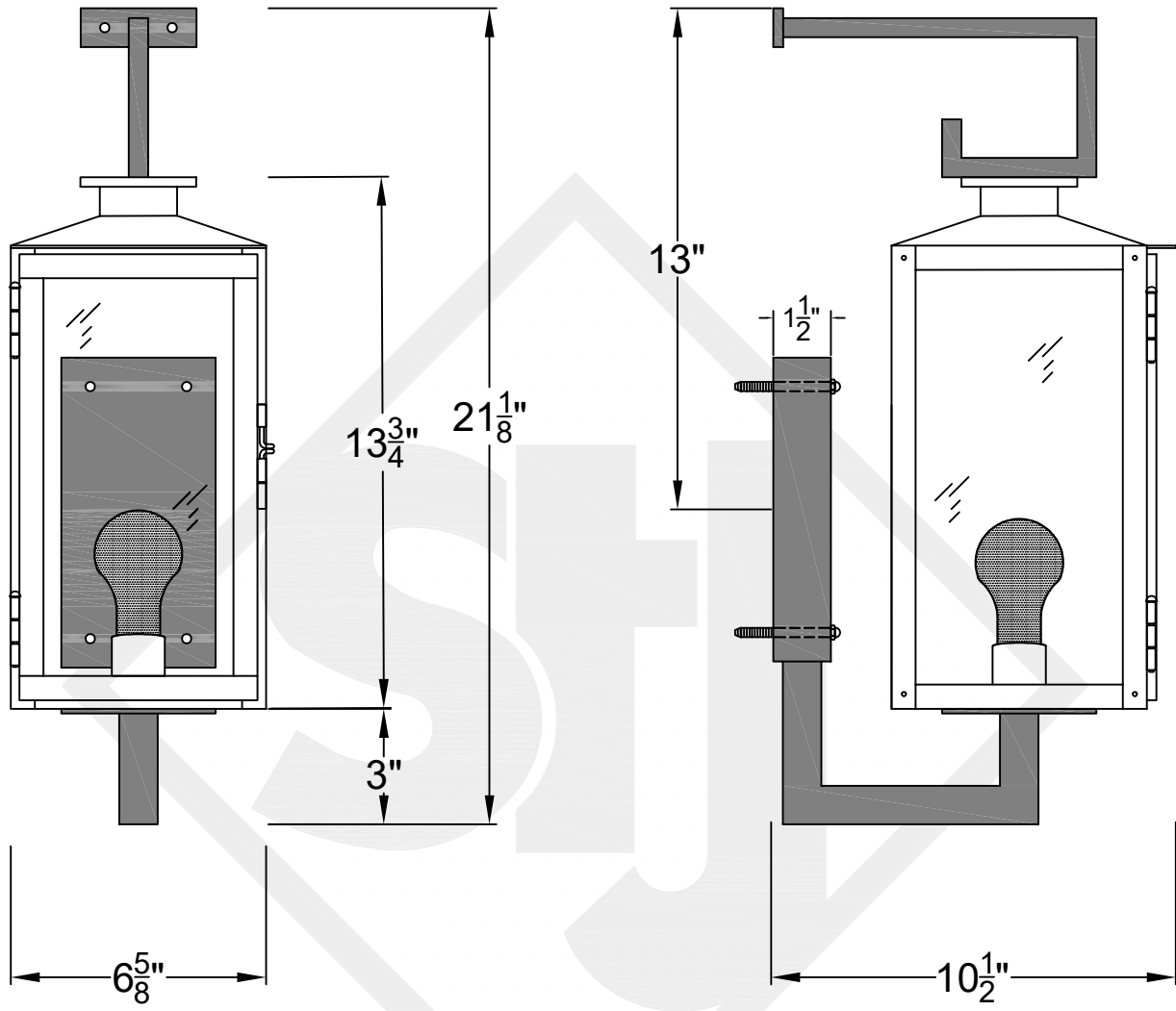
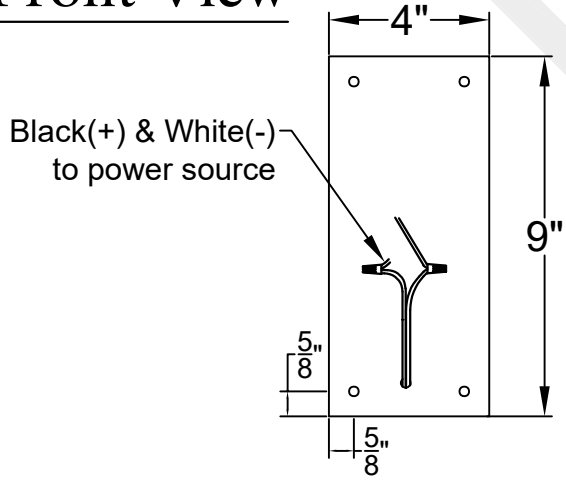


# OXFORD MINI STEEL WALL MOUNT

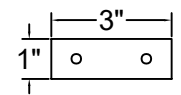


Front View

Side View



Backplate



Arm Bracket



St. James  
LIGHTING

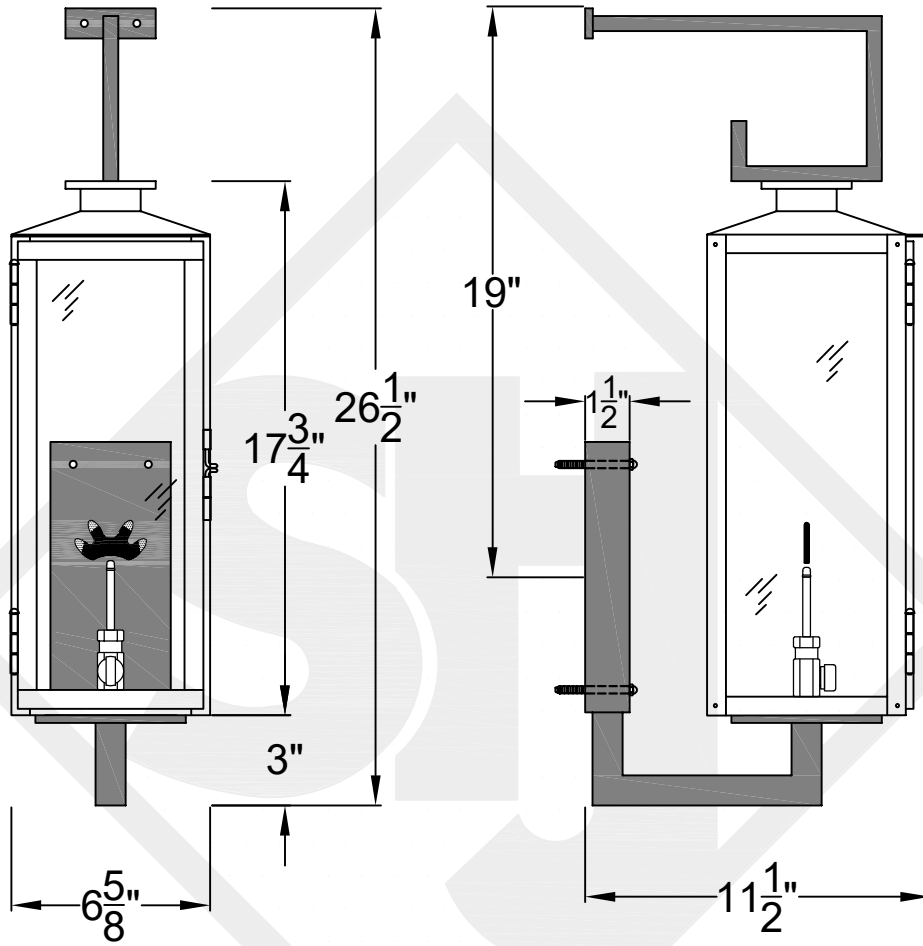
SCALE: N.T.S.	DRAFT: Y. McCullough
FILE: OXFMINI	APP'D: J. Ragan
JOB: X	DATE: 11/29/23

Lights are handcrafted.  
Dimensions may vary by 1/4"

**Mini not Available in Gas**

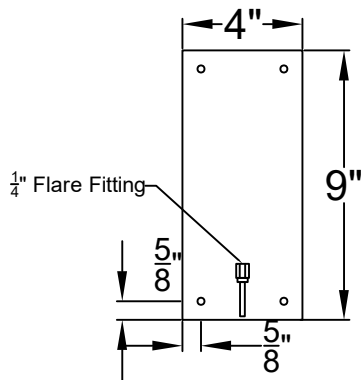
UL Certified  
Candelabra- Max 60 Watt Bulb  
Edison- Max 660 Watt Bulb

# OXFORD SMALL STEEL WALL MOUNT

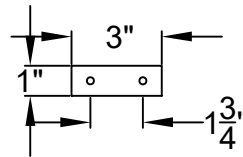


Front View

Side View



Backplate



Mounting Plate



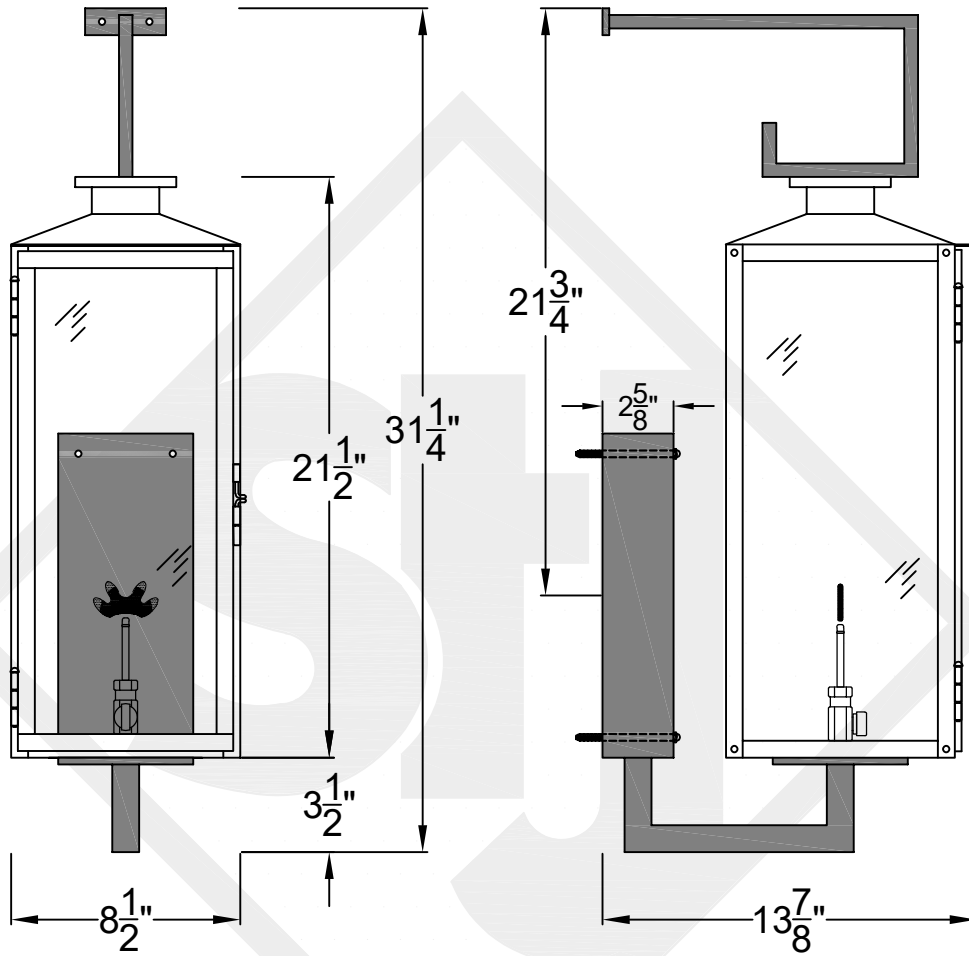
St. James  
LIGHTING

SCALE: N.T.S.	DRAFT: Y. McCullough
FILE: OXFS	APP'D: J. Ragan
JOB: X	DATE: 11/29/23

Lights are handcrafted.  
Dimensions may vary by 1/4"

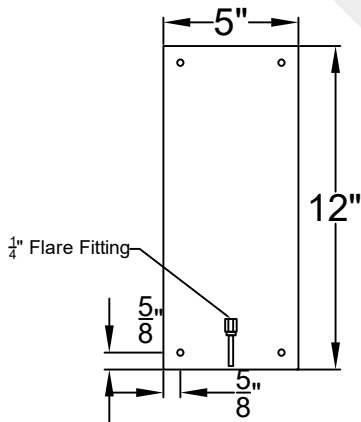
B.T.U. Rating  
Natural Gas: 2730 B.T.U.  
Propane: 2080 B.T.U.

# OXFORD MEDIUM STEEL WALL MOUNT

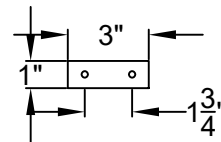


Front View

Side View



Backplate



Mounting Plate



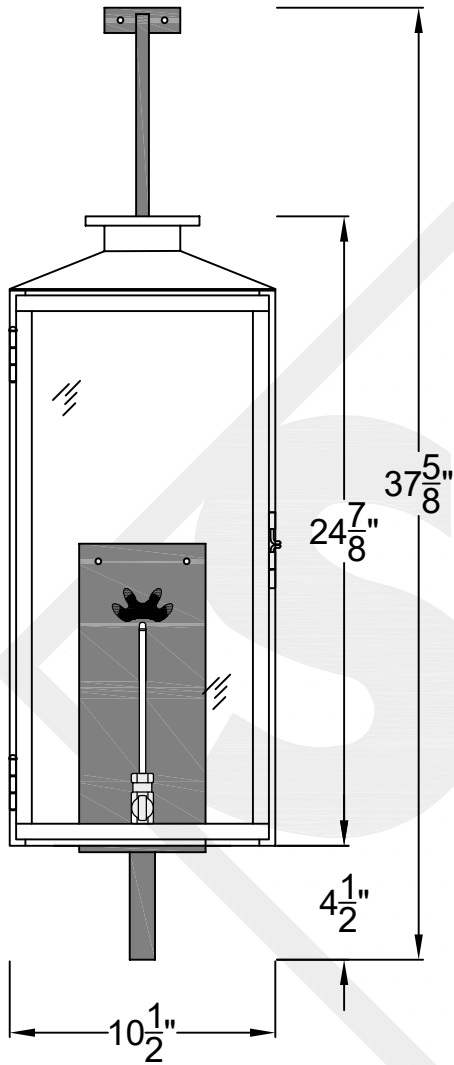
St. James  
LIGHTING

SCALE: N.T.S.	DRAFT: Y. McCullough
FILE: OXFM	APP'D: J. Ragan
JOB: X	DATE: 11/29/23

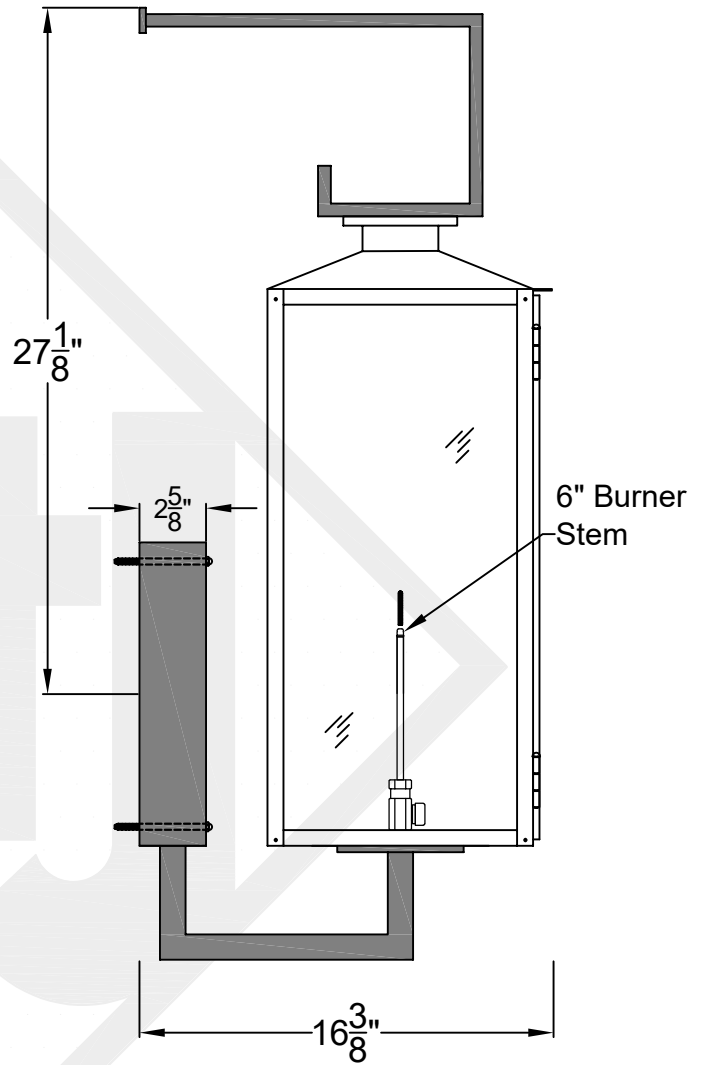
Lights are handcrafted.  
Dimensions may vary by 1/4"

B.T.U. Rating  
Natural Gas: 2730 B.T.U.  
Propane: 2080 B.T.U.

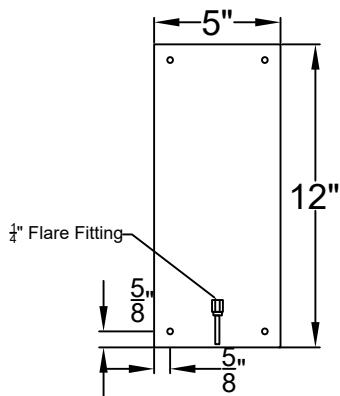
# OXFORD LARGE STEEL WALL MOUNT



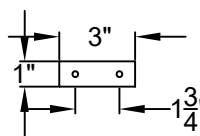
Front View



Side View



Backplate



Mounting Plate



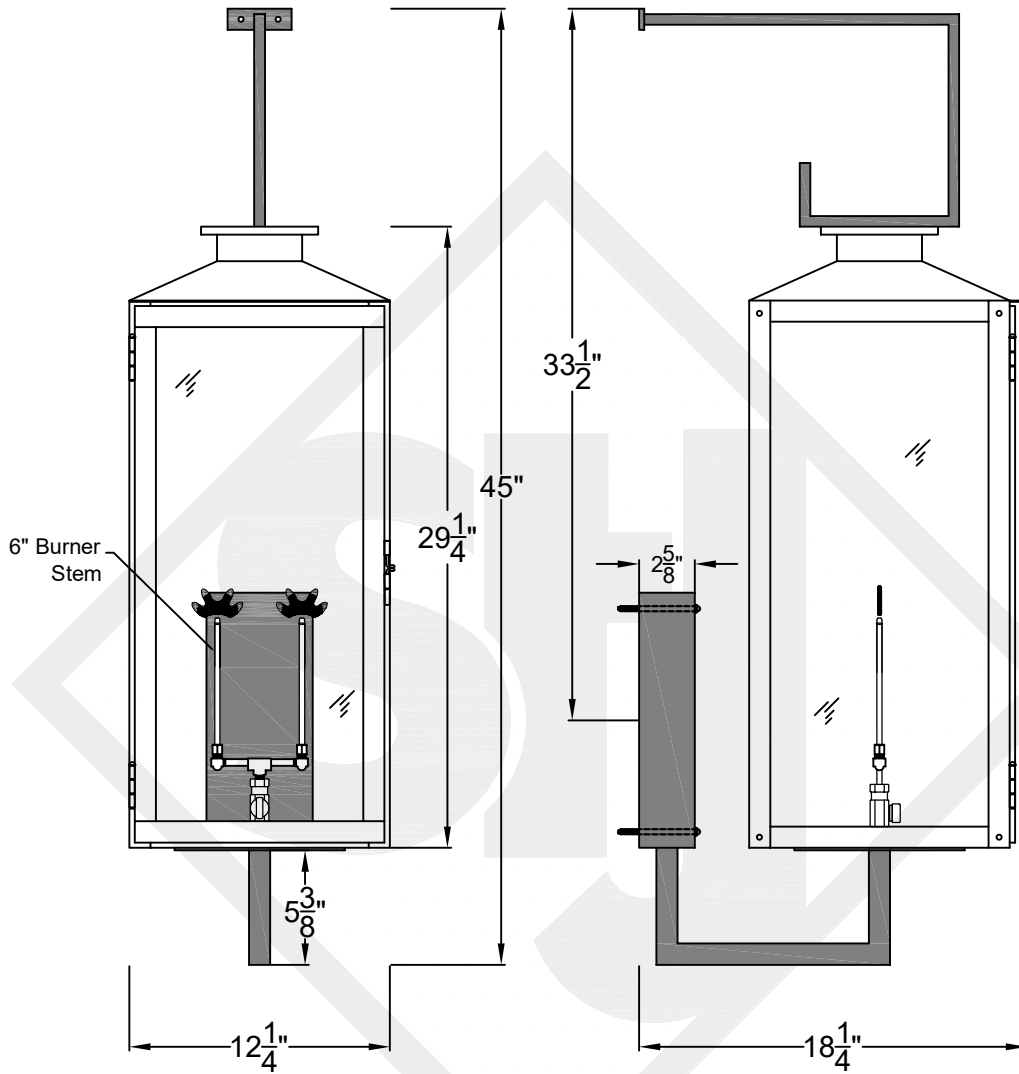
St. James  
LIGHTING

SCALE: N.T.S.	DRAFT: Y. McCullough
FILE: OXFL	APP'D: J. Ragan
JOB: X	DATE: 11/29/23

Lights are handcrafted.  
Dimensions may vary by 1/4"

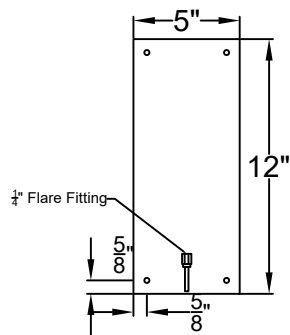
B.T.U. Rating  
Natural Gas: 2730 B.T.U.  
Propane: 2080 B.T.U.

# OXFORD GRANDE STEEL WALL BRACKET

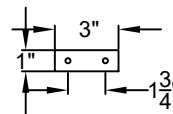


Front View

Side View



Backplate



Mounting Plate



St. James  
LIGHTING

SCALE: N.T.S.	DRAFT: Y. McCullough
FILE: OXFG	APP'D: J. Ragan
JOB: X	DATE: 11/29/23

Lights are handcrafted.  
Dimensions may vary by 1/4"

B.T.U. Rating  
Natural Gas: 5460 B.T.U.  
Propane: 4160 B.T.U.