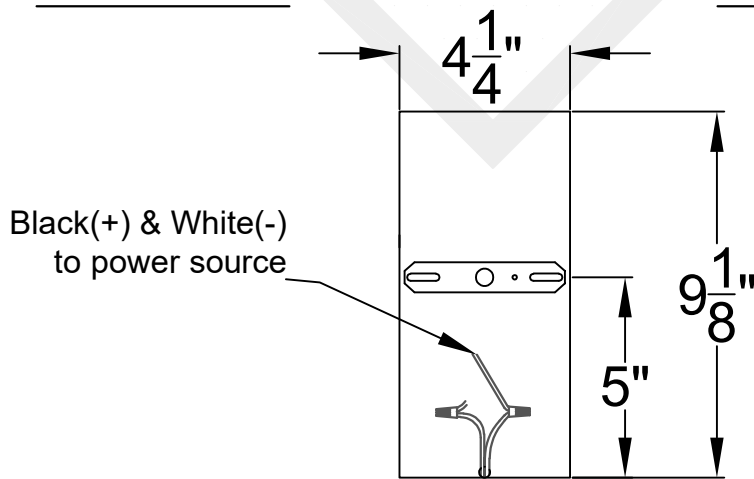
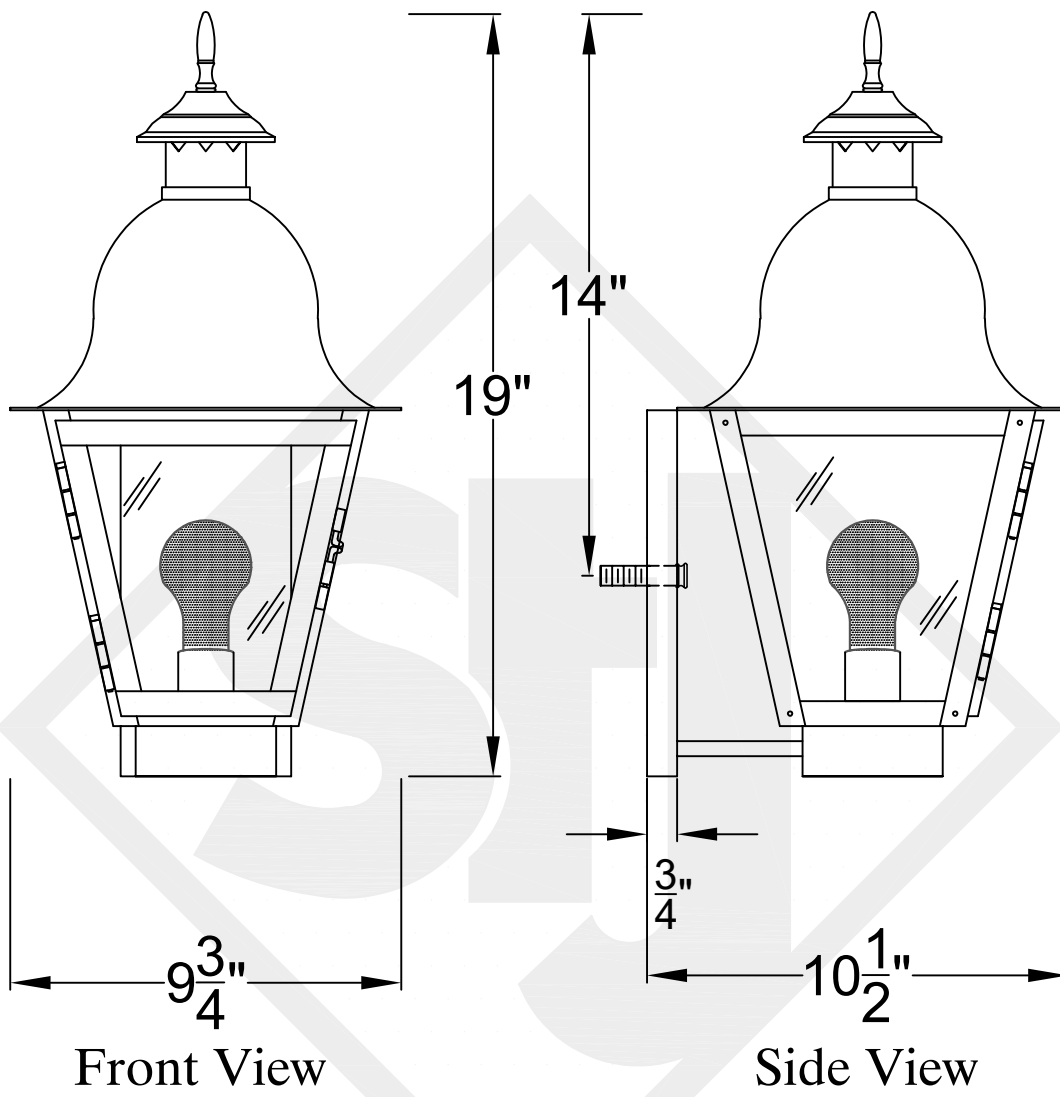


QUEBEC MINI COPPER WALL BRACKET



Backplate



St. James
LIGHTING

SCALE: N.T.S. DRAFT: T. Herring
FILE: QUEMINI APP'D: J. Ragan
JOB: X DATE: 5-3-2023

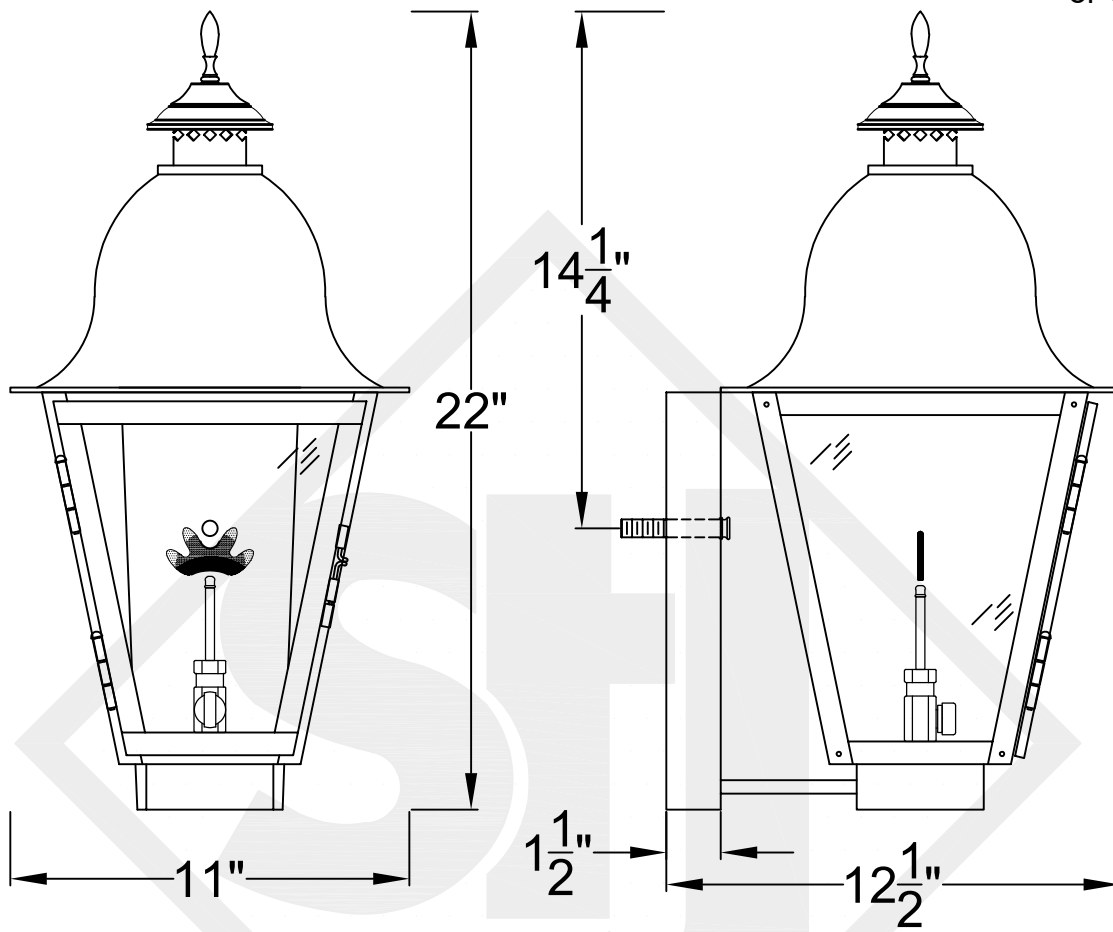
Lights are handcrafted.
Dimensions may vary by 1/4"

Mini not Available in Gas

UL Certified
Candelabra- Max 60 Watt Bulb
Edison- Max 660 Watt Bulb

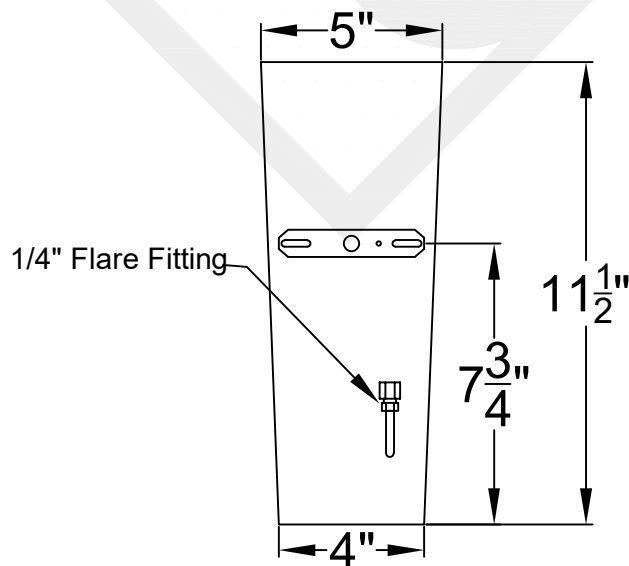
QUEBEC SMALL COPPER WALL BRACKET

Available w/ Solid
or Glass Top



Front View

Side View



Backplate



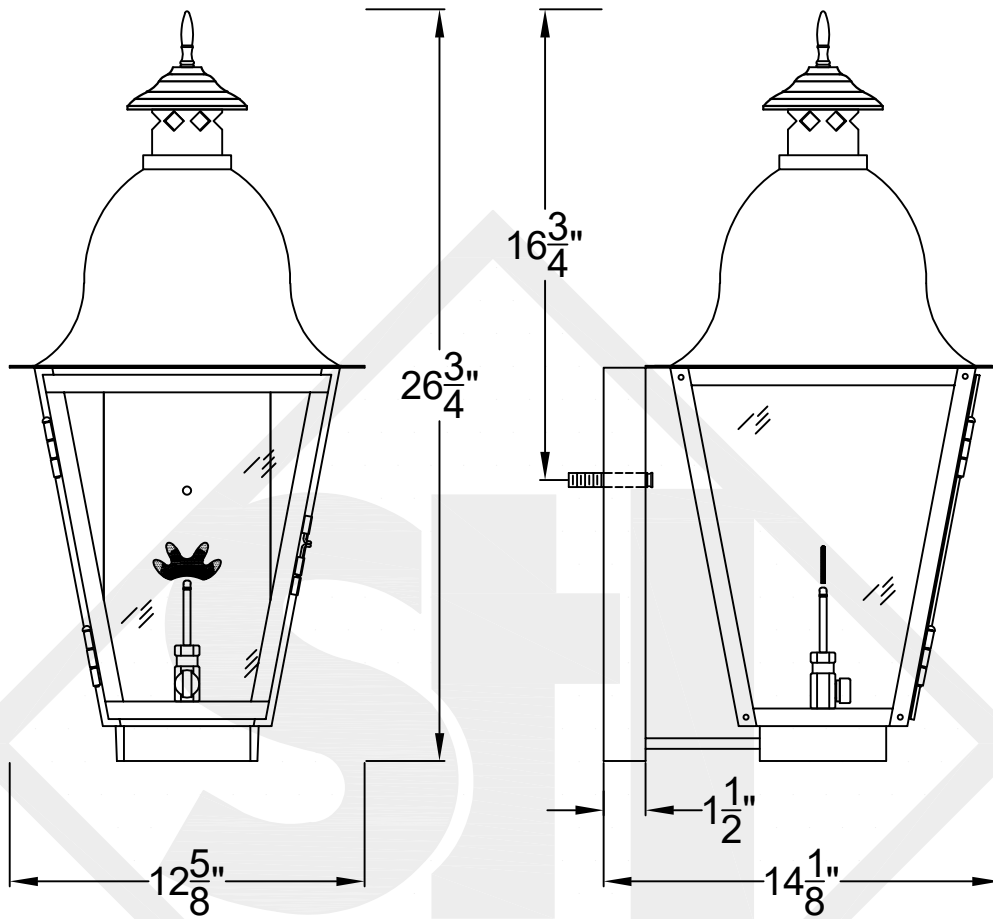
St. James
LIGHTING

SCALE: N.T.S.	DRAFT: T. Herring
FILE: QUES	APP'D: J. Ragan
JOB: X	DATE: 8-7-2023

Lights are handcrafted.
Dimensions may vary by 1/4"

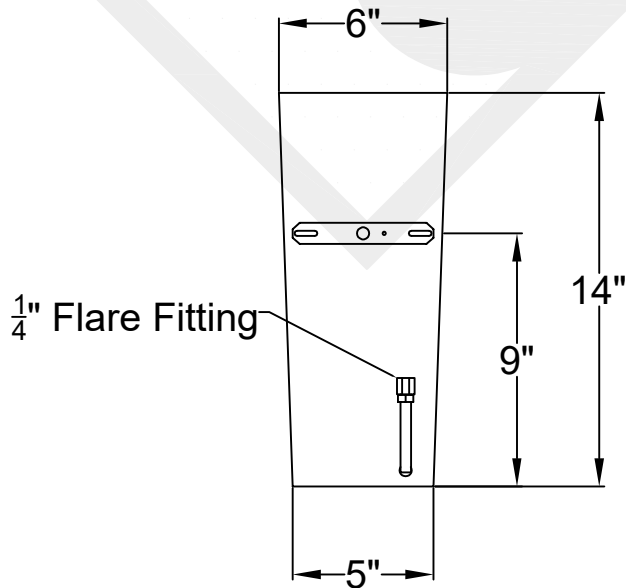
B.T.U. Rating
Natural Gas: 2730 B.T.U.
Propane: 2080 B.T.U.

QUEBEC MEDIUM COPPER WALL BRACKET



Front View

Side View



Backplate



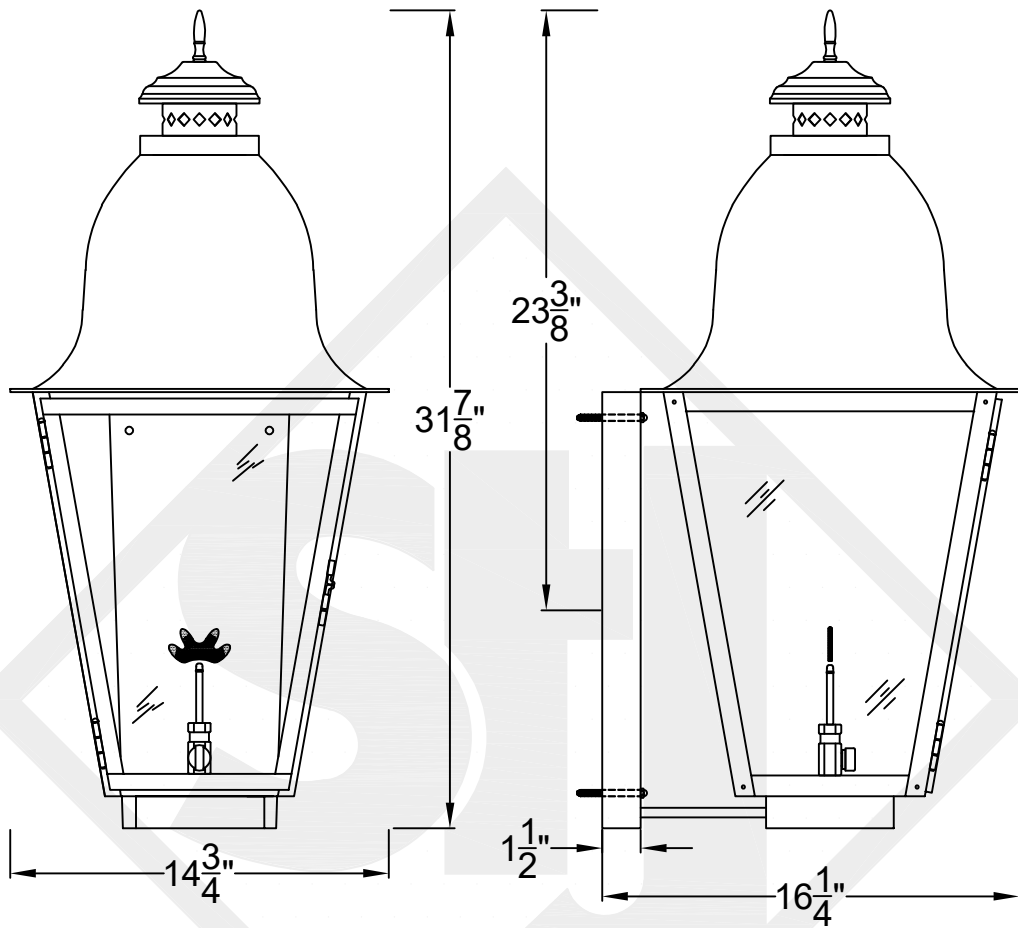
St. James
LIGHTING

SCALE: N.T.S.	DRAFT: T. Herring
FILE: QUEM	APP'D: J. Ragan
JOB: X	DATE: 8-21-2023

Lights are handcrafted.
Dimensions may vary by 1/4"

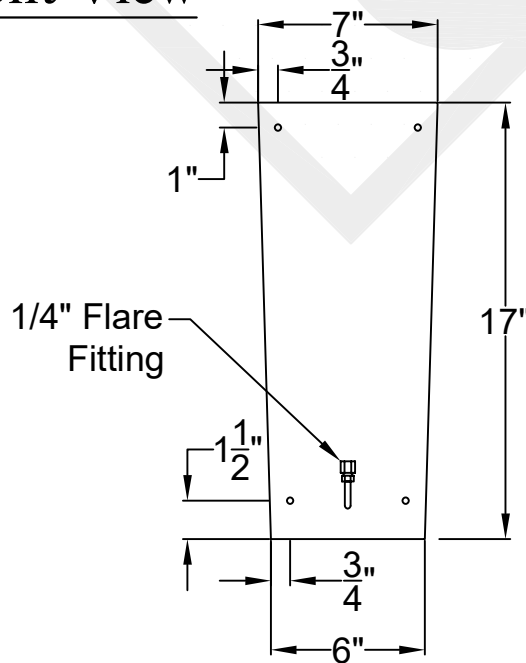
B.T.U. Rating
Natural Gas: 2730 B.T.U.
Propane: 2080 B.T.U.

QUEBEC LARGE COPPER WALL BRACKET



Front View

Side View



Backplate



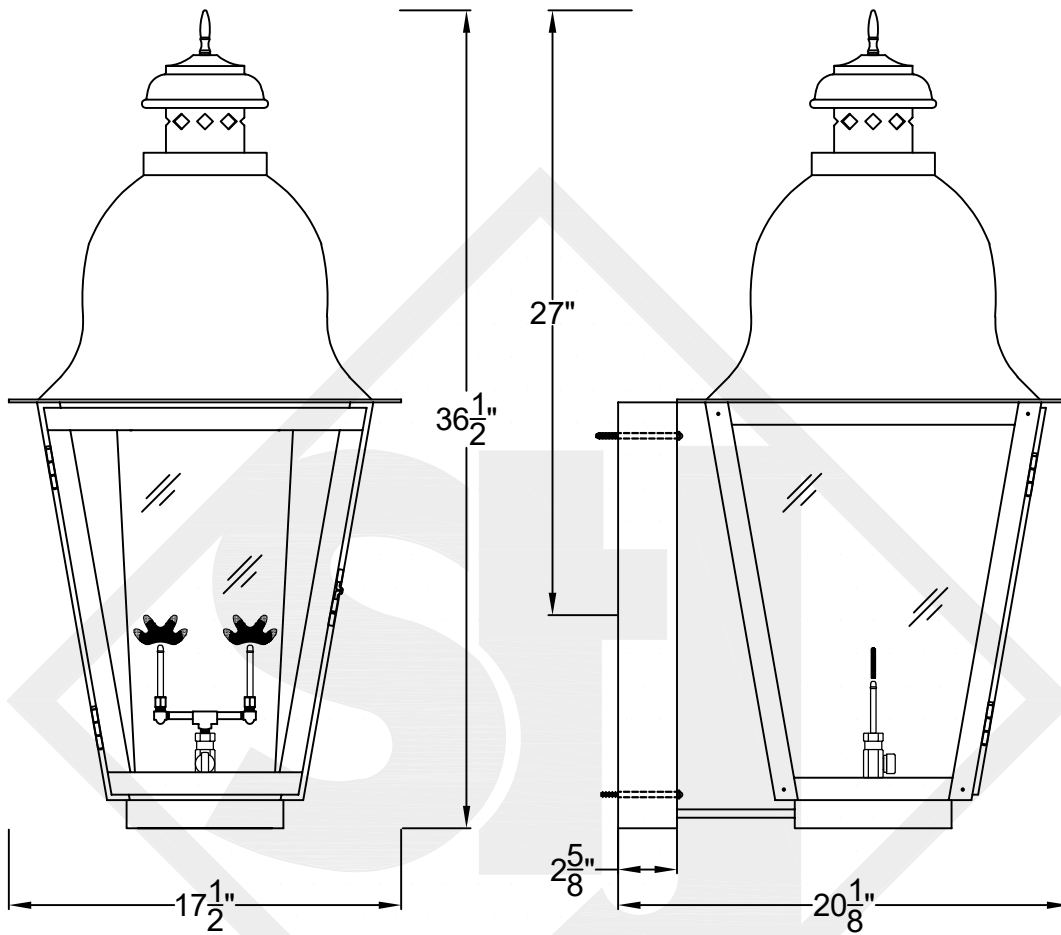
St. James
LIGHTING

SCALE: N.T.S.	DRAFT: Y. McCullough
FILE: QUEL	APP'D: J. Ragan
JOB: X	DATE: 12/5/23

Lights are handcrafted.
Dimensions may vary by 1/4"

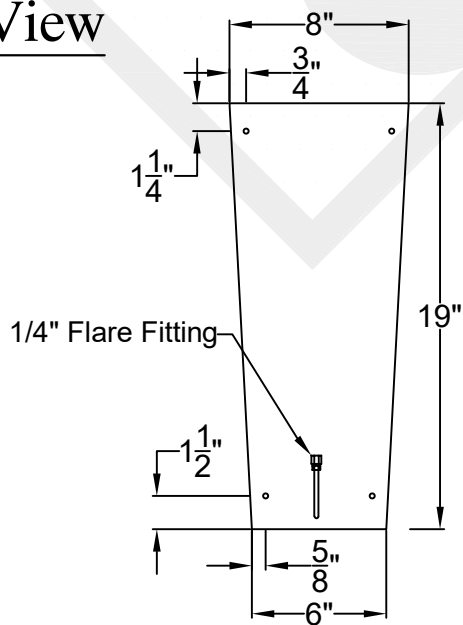
B.T.U. Rating
Natural Gas: 2730 B.T.U.
Propane: 2080 B.T.U.

QUEBEC GRANDE COPPER WALL BRACKET



Front View

Side View



Backplate



St. James
LIGHTING

SCALE: N.T.S.	DRAFT: Y. McCullough
FILE: QUEG	APP'D: J. Ragan
JOB: X	DATE: 12/6/23

Lights are handcrafted.
Dimensions may vary by $\frac{1}{4}$ "

B.T.U. Rating
Natural Gas: 5460 B.T.U.
Propane: 4160 B.T.U.